


**Feature -**

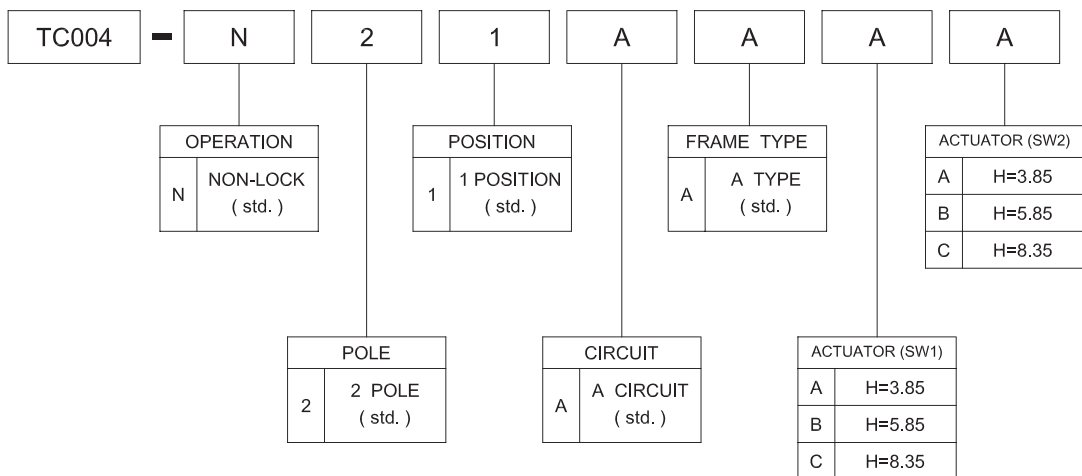
 DPST , two buttons in line ,  
 vertical PCB mount

**Application -**

 office equipments  
 measuring instruments  
 audio , TV , VCRs  
 many types of electronic equipments

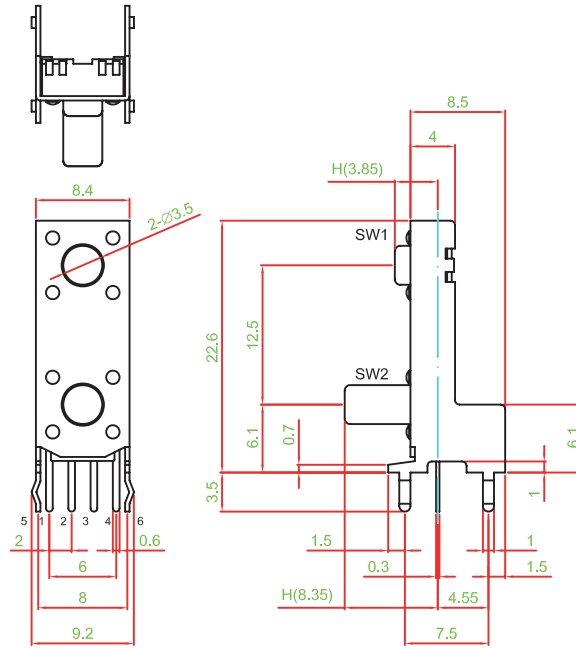
**► SPECIFICATIONS**

SWITCH SPECIFICATIONS	
POLE - POSITION	DPST
CONTACT RATING	12 V DC , 50 mA
CONTACT RESISTANCE	100 mΩ MAX. 5 V DC ; 1 A , by Method of Voltage DROP
INSULATION RESISTANCE	100 MΩ MIN. 100 V DC for 1 minute
DIELECTRIC STRENGTH	Breakdown is not Allowable ; 100 V AC for 1 Minute
OPERATING FORCE	160 ± 50 gf
OPERATING LIFE	500,000 cycles
OPERATING TEMPERATURE RANGE	-20°C ~ 70°C
TOTAL TRAVEL	0.25 ± 0.10 mm

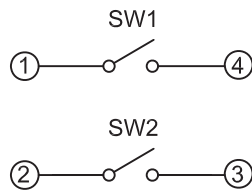
**► HOW TO ORDER**


**▶ DIMENSION**

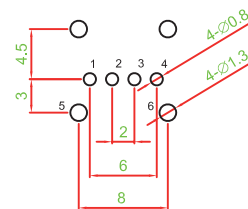
TC004-N21AAAC



**▶ SCHEMATIC**



**▶ P.C.B LAYOUT**



**▶ MATERIAL**

- ACTUATOR : PA66
- TERMINAL : BRASS SILVER PLATING
- FRAME : STEEL PLATE
- SPRING PLATE : STAINLESS STEEL
- BASE FRAME : PA66

# Mouser Electronics

Authorized Distributor

Click to View Pricing, Inventory, Delivery & Lifecycle Information:

[Well Buying:](#)

[TC004-N21AAAC](#) [TC004-N21AABB](#)