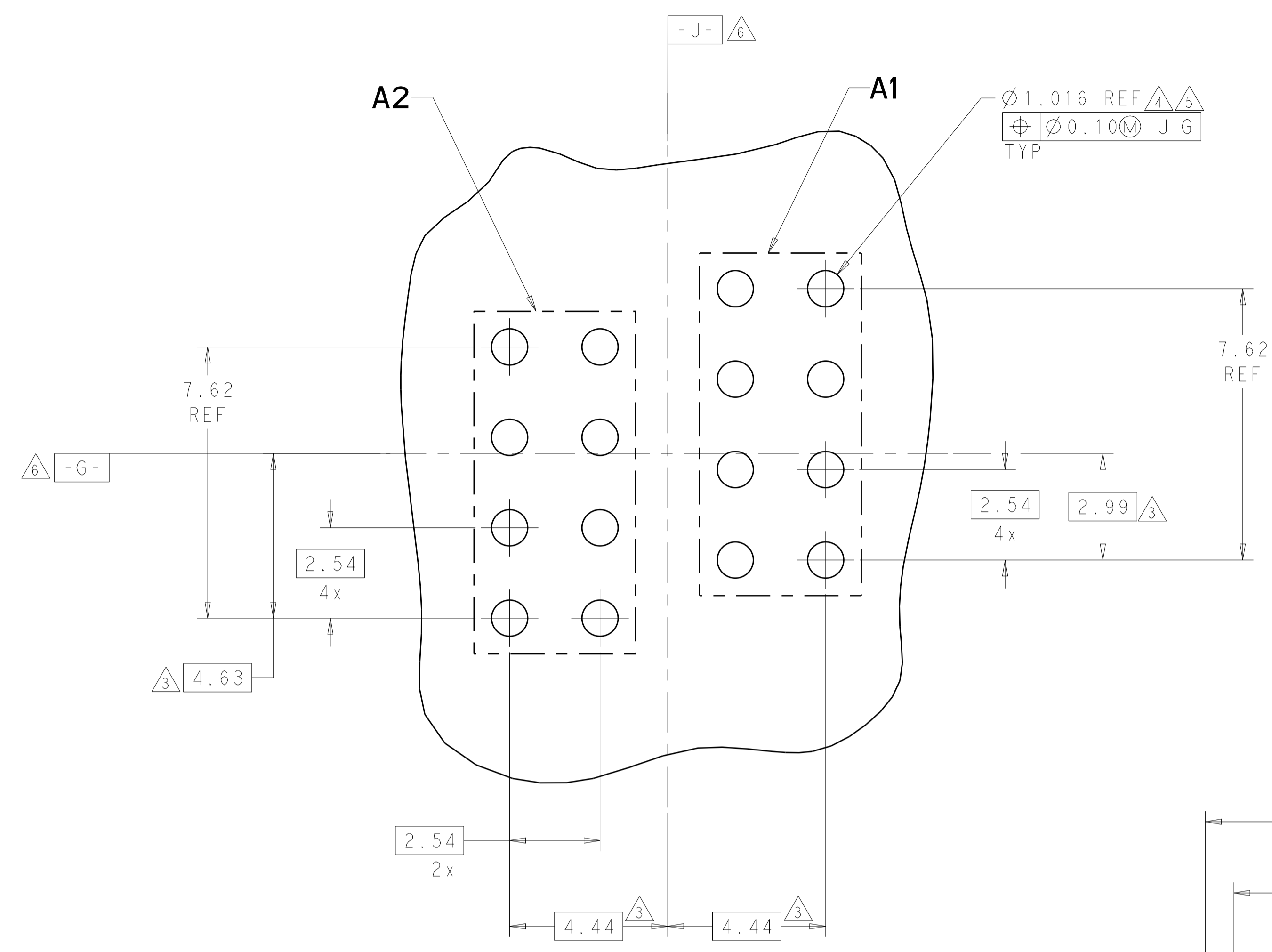
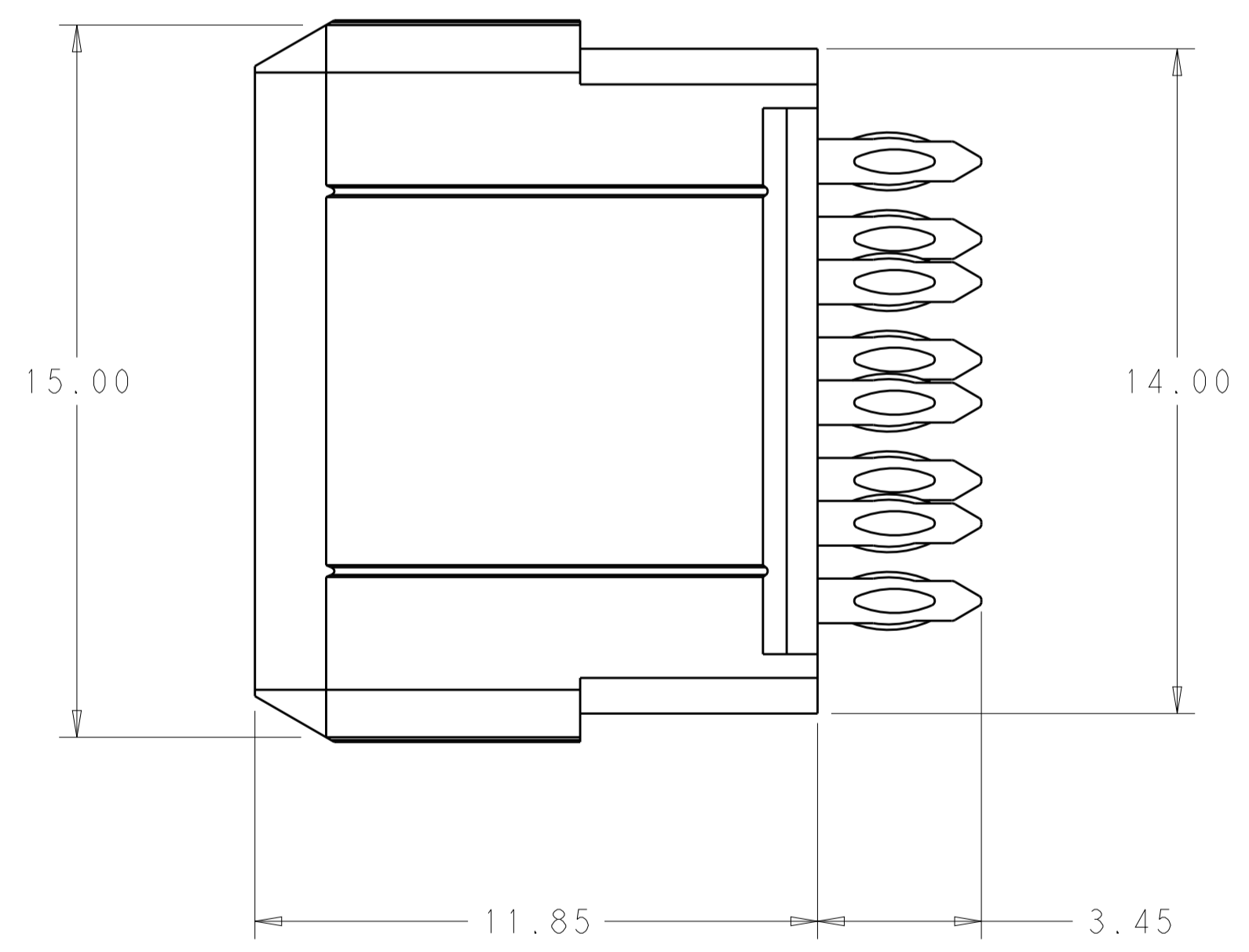
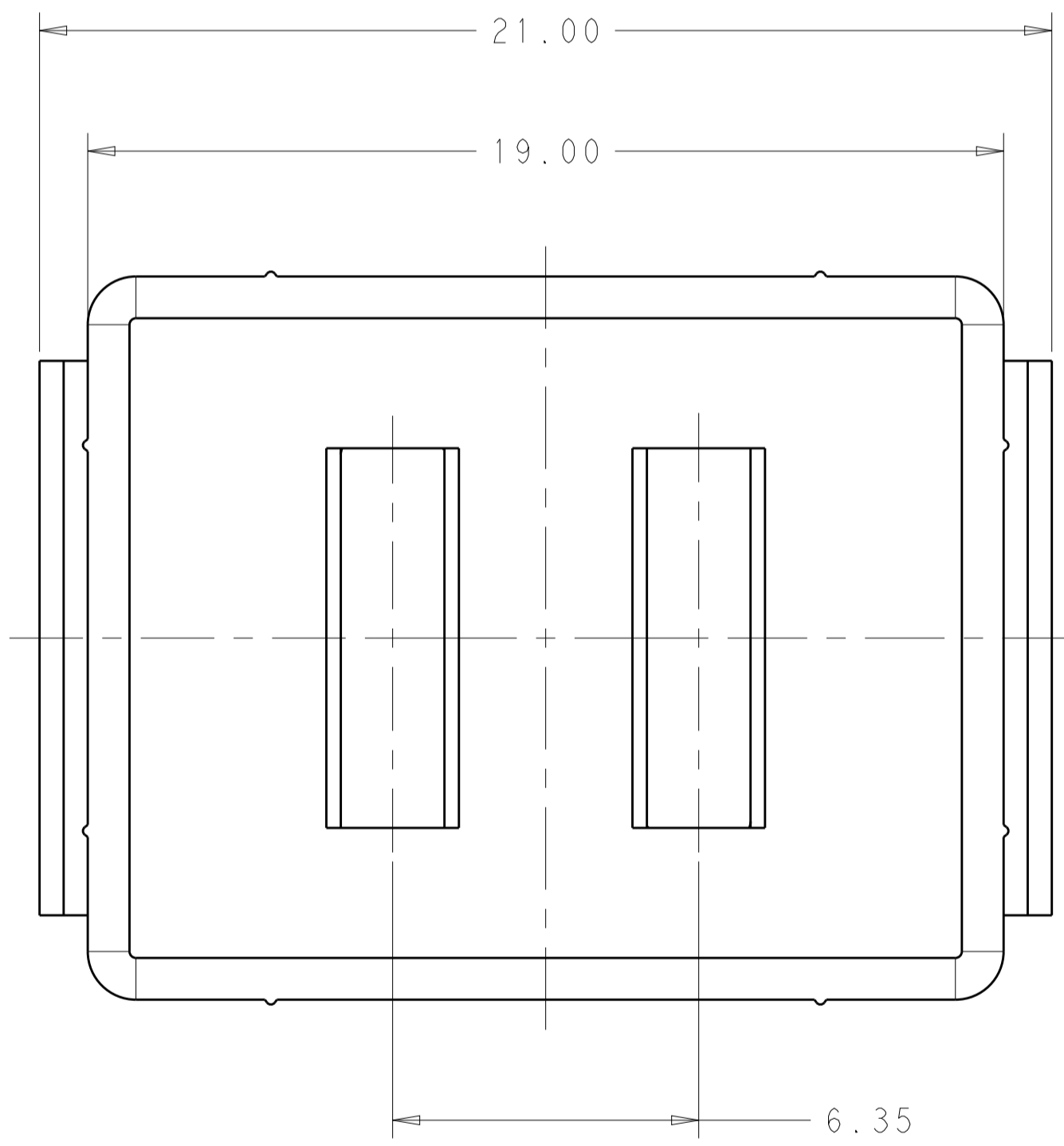


LOC		DIST		REVISIONS			
P	LTN	DESCRIPTION	DATE	DWN	APVD		
C		REV PER ECO 14-018159	12-15-14	CT	DH		



RECOMMENDED PC BOARD LAYOUT
 COMPONENT SIDE SHOWN
 SCALE 10:1



1 MATERIAL:
 CONTACT - COPPER ALLOY
 HOUSING - LCP, COLOR - BLACK

2 FINISH:
 MATING AREA: 0.76µm MIN GOLD OVER
 1.27µm MIN NICKEL
 COMPLIANT PIN AREA: 2.54µm MIN MATTE TIN

3 DIMENSION APPLIES TO CENTERLINE OF THRU HOLE.

4 PCB - ALL HOLE DIAMETERS ARE FINISHED HOLE SIZES.

5 REFERENCE APPLICATION SPEC 114-13251 FOR RECOMMENDED PLATED THRU HOLE DIAMETER AND PLATING THICKNESS.

6 REFERENCE PRINT 2102428 FOR DIMENSIONS.

7 FINISH:
 MATING AREA: 0.76µm MIN GOLD OVER
 2.54µm MIN NICKEL
 COMPLIANT PIN AREA: 0.38µm MIN GOLD OVER
 2.54µm MIN NICKEL

7	2102442-2
2	2102442-1
FINISH	PART NUMBER

THIS DRAWING IS A CONTROLLED DOCUMENT.		DWN D. BELACK	10MAR2011	TE Connectivity	
DIMENSIONS:		CHK K. THACKSTON	NAME	HIGH POWER, METAL SHELL LRU, VERTICAL SOCKET MODULE	
TOLERANCES UNLESS OTHERWISE SPECIFIED:		APVD M. McALONIS	PRODUCT SPEC	108-2474	
mm			APPLICATION SPEC	114-13251	
0 PLC ±			SIZE	CAGE CODE DRAWING NO	
1 PLC ±0.13			WEIGHT	~ 4.93g	
2 PLC ±0.10			CUSTOMER DRAWING	SCALE 8:1 SHEET 1 OF 1 REV C	
3 PLC ±					
4 PLC ±					
ANGLES ±					
FINISH					
SEE TABLE					