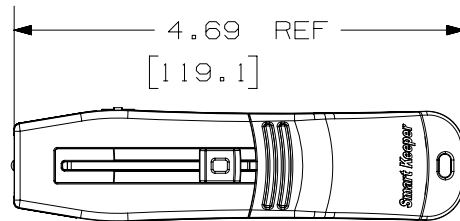
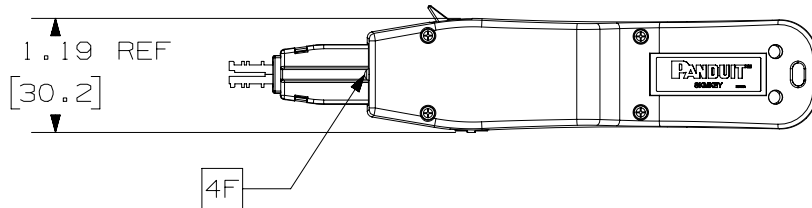
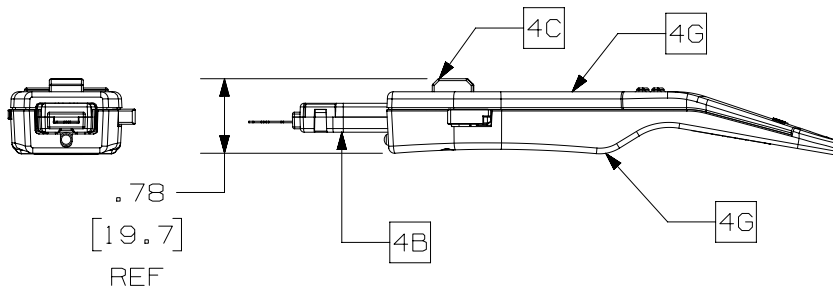
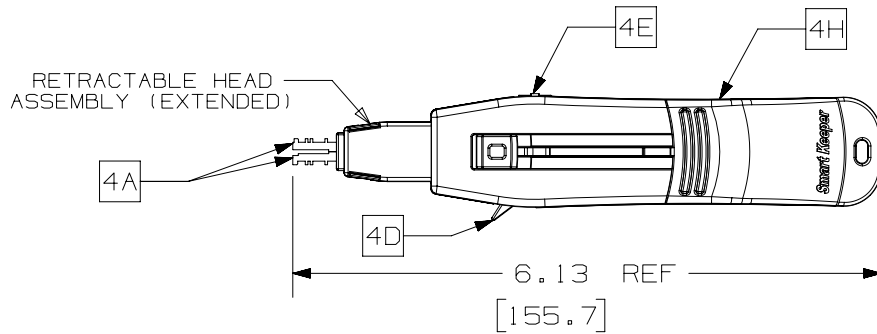
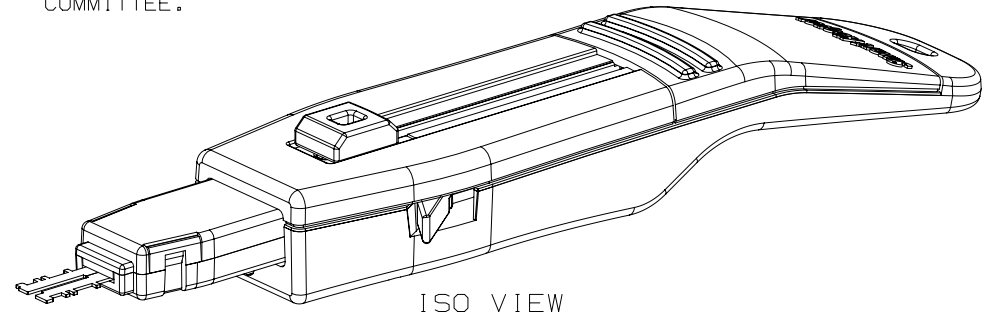


THIS COPY IS PROVIDED ON A RESTRICTED BASIS AND IS NOT TO BE USED IN ANY WAY DETRIMENTAL TO THE INTERESTS OF PANDUIT CORP.



VIEW SHOWING HEAD ASSEMBLY IN RETRACTED POSITION

- NOTES:
- VISIT OUR ON-LINE CATALOG AT WWW.PANDUIT.COM FOR A LIST OF CURRENT PARTS APPLICABLE USE WITH THIS PRODUCT.
 - PRODUCT IS USED TO REMOVE THE SMARTKEEPER BLOCKOUT DEVICES WITH UNIQUE AND CONFIDENTIAL FEMALE KEYED MOLDED IN FEATURES.
 - SEE INSTALLATION INSTRUCTION FOR PROPER USE OF PRODUCT.
 - PARTS INCLUDES (DESCRIPTION: MATERIAL/COLOR):
 - UNIQUE AND CONFIDENTIAL MALE KEYED BLADES: STAINLESS STEEL/NATURAL FINISH.
 - RETRACTABLE HEAD ASSEMBLY: POLYCARBONATE (PC)/COLOR: BLACK.
 - TOPSIDE BUTTON: POLYCARBONATE (PC)/COLOR: RED.
 - SIDE BUTTON: POLYCARBONATE (PC)/COLOR: RED.
 - LIGHT SWITCH: POLYCARBONATE (PC)/COLOR: RED.
 - LIGHT: POLYCARBONATE (PC)/COLOR: CLEAR.
 - MAIN BODY SHELLS: HIGH STRENGTH DIECAST METAL/COLOR: SILVER GREY.
 - ANTI-STATIC GRIP: NEOPRENE/COLOR: BLACK.
 - PRODUCT IS DESIGNED FOR INDOOR USE ONLY.
 - OPERATING TEMPERATURE AND HUMIDITY RANGE:
 - TEMPERATURE RANGE: -4°F (-20°C) TO +140°F (+60°C)
 - HUMIDITY RANGE: 10-70% NON-CONDENSING RELATIVE HUMIDITY.
 - STORAGE CONDITIONS:
 - TEMPERATURE RANGE: -4°F (-20°C) TO +140°F (+60°).
 - HUMIDITY RANGE: 10-80% NON-CONDENSING RELATIVE HUMIDITY.
 - WEIGHT: 0.14 LBS/ (1) PCS [64.6 grams/ (1) PCS].
 - DIMENSIONS IN [] ARE METRIC.
 - ALL MATERIALS AND COMPONENTS USED MEET THE MATERIALS RESTRICTIONS OF RoHS, (EUROPEAN DIRECTIVE 2011/65/EU ON THE RESTRICTION OF HAZARDOUS SUBSTANCES) AS PROPOSED BY THE RoHS TECHNICAL ADAPTATION COMMITTEE.



PART NUMBER		SKMKEY		
TITLE		SMARTKEEPER MASTER KEY		
ITEM REVISION NAME		CUSTOMER DRAWING		
DATASET FILE NAME		00402NAA/00		
MATERIAL		SEE NOTES		
DRAWING NUMBER		00402NAA-DC		
DRAWN BY		DATE	CHK	SCALE
MDJR		04-24-19	DCS	NONE
SHEET 1 OF 1		A		

00A	04-24-19	MDJR	DCS	MMR	DRAWING RELEASED	00402NAA-DC
REV	DATE	BY	CHK	APR	DESCRIPTION	ECN