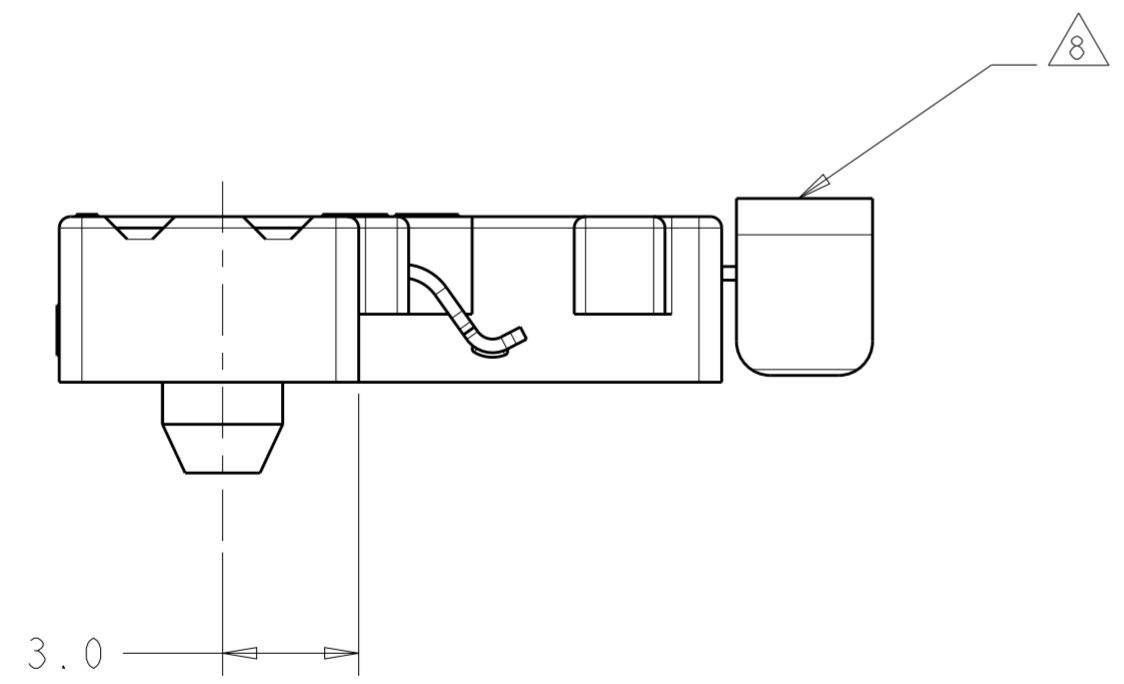
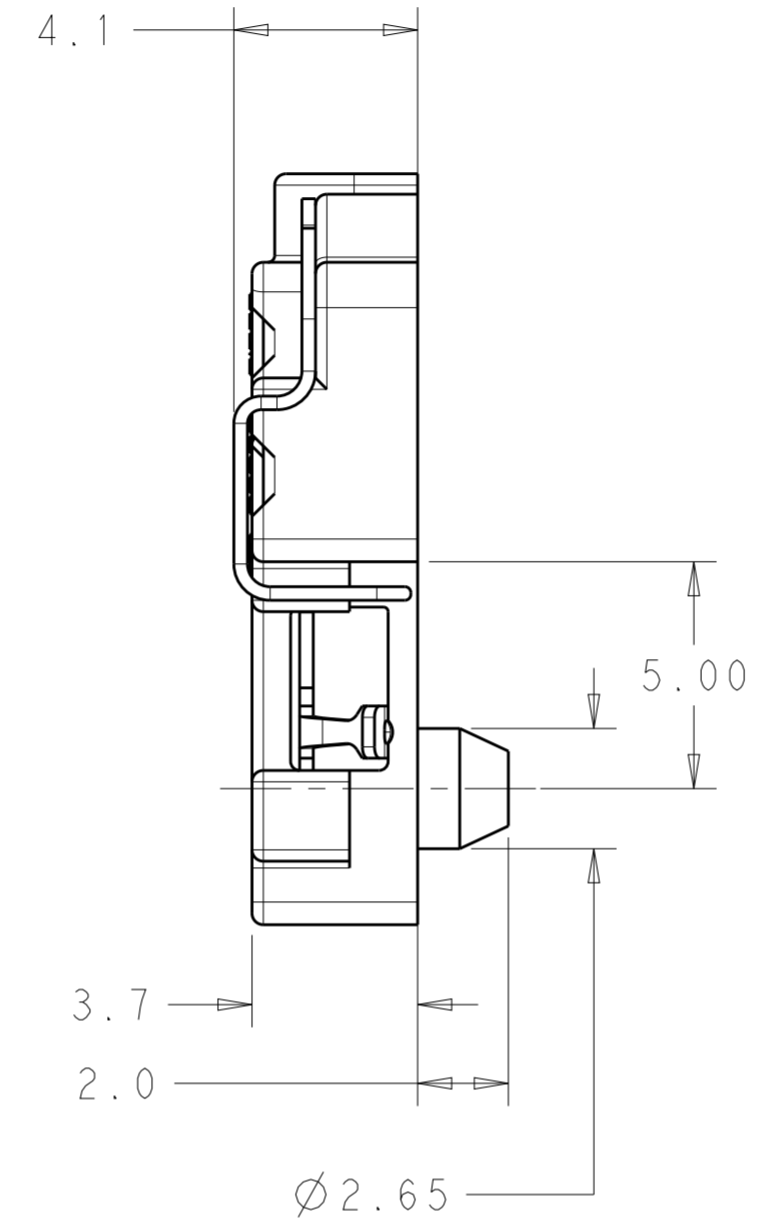
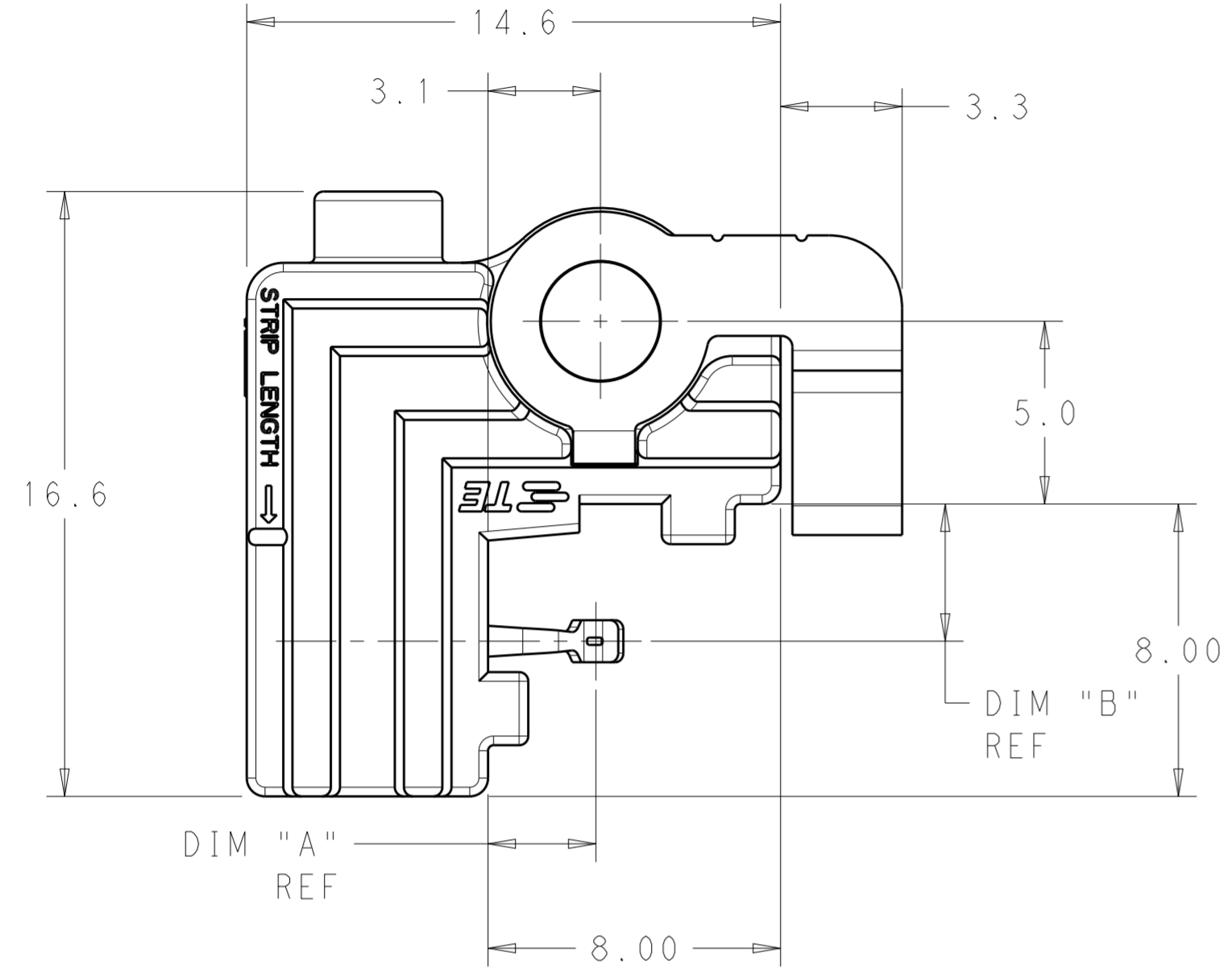


THIS DRAWING IS UNPUBLISHED. RELEASED FOR PUBLICATION 20
 © COPYRIGHT 20 BY - ALL RIGHTS RESERVED.

LOC		DIST		REVISIONS			
P	LTR	DESCRIPTION	DATE	DWN	APVD		
	7	ADD LEDS TO TABLE ON SHEET 2	13NOV2012	MM	MM		
	8	ADD LED INFO TO SHEET 2	22MAR2013	MM	MM		



- 1. MATERIALS AND FINISH:
 - HOUSING: PBT-GF, COLOR: NATURAL
 - CONTACTS: COPPER ALLOY
 - FINISH: SEE TABLE
 - THERMAL SPRING: STAINLESS STEEL
- 2. MUST COMPLY WITH DIRECTIVE 2002/95/EC (ROHS)
- 3. THIS PRODUCT HAS NOT COMPLETED VALIDATION TESTING
- 4. REFER TO LED MANUFACTURER'S DATASHEET FOR LED DIMENSIONS
- 5. REFER TO LED DATASHEET FOR RECOMMENDED THERMAL INTERFACE MATERIALS
- 6. RECOMMENDED SCREW SIZE: M3 OR #4. TORQUE SCREWS TO 2.5 in-lbf TO 4.0 in-lbf
- 7. WIRE TYPES AND SIZES ACCEPTED
 - 18, 20 AND 22 AWG SOLID WIRE
 - 18 AND 20 AWG PREBOND STRANDED WIRE
 - 18 AWG STRANDED WIRE (16 STRAND COUNT)
 - MAX INSULATION OD: 2.10 MM
 - STRIP LENGTH: 7.5±1.0
- 8. IN APPLICATIONS WHERE THE LED SUBSTRATE IS LESS THAN 1.50MM THICK A THERMAL SPRING IS REQUIRED. AS NOTED IN THE TABLE THE THERMAL SPRINGS WILL BE INSTALLED PRIOR TO SHIPMENT FROM THE TE FACTORY.
- 9. REQUIRES THE USE OF LED WITH GOLD PLATED PADS

YES	3.75	2.95	TIN OVER NICKEL	3-2154857-3
YES	3.75	2.95	GOLD OVER NICKEL	2-2154857-3
YES	2.25	2.00	GOLD OVER NICKEL	2-2154857-2
YES	1.85	1.55	GOLD OVER NICKEL	2-2154857-1
NO	3.75	2.95	TIN OVER NICKEL	1-2154857-3
NO	2.25	2.00	TIN OVER NICKEL	1-2154857-2
8 THERMAL SPRING	DIM "B"	DIM "A"	CONTACT PLATING	PART NUMBER

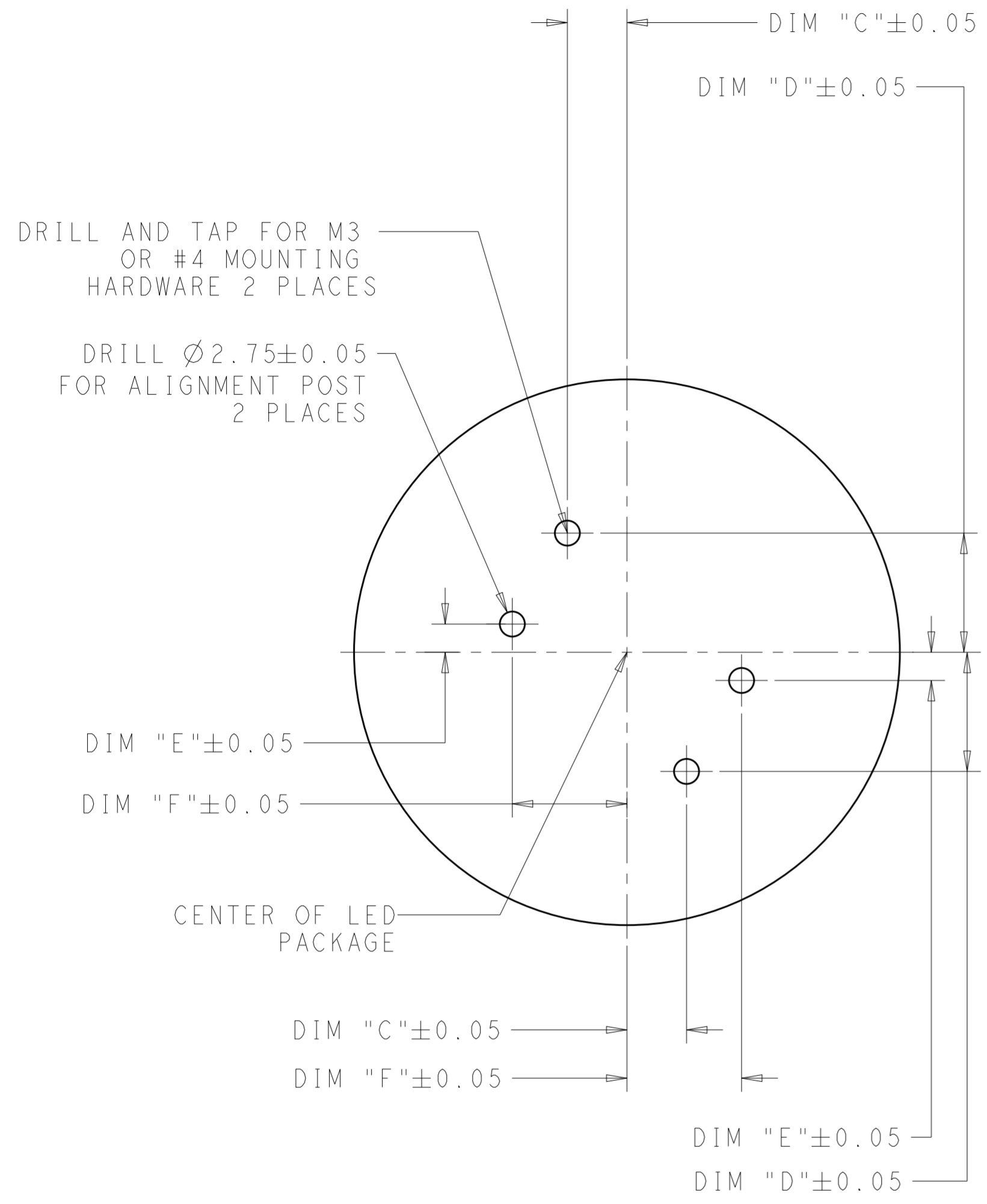
THIS PRINT IS
PRELIMINARY
 UNQUALIFIED PRODUCT
 CONTACT PRODUCT ENGINEERING
 BEFORE USING THIS PRINT

THIS DRAWING IS A CONTROLLED DOCUMENT.

DIMENSIONS: mm	TOLERANCES UNLESS OTHERWISE SPECIFIED:	DWN M. MOSTOLLER 16MAR2012	TE Connectivity
0 PLC ±	1 PLC ±0.2	CHK M. MOSTOLLER 16MAR2012	
2 PLC ±0.13	3 PLC ±0.013	APVD M. MOSTOLLER 16MAR2012	
4 PLC ±0.0001	ANGLES ±2	FINISH	
MATERIAL		PRODUCT SPEC 108-133005	NAME TWO PIECE ASSEMBLY SCALABLE LED SOCKET
		APPLICATION SPEC 114-32043	SIZE A2 CAGE CODE 00779 DRAWING NO C-2154857
		WEIGHT	RESTRICTED TO
		CUSTOMER DRAWING	SCALE 1:1 SHEET 1 OF 2 REV 8

THIS DRAWING IS UNPUBLISHED. RELEASED FOR PUBLICATION 20
 © COPYRIGHT 20 BY - ALL RIGHTS RESERVED.

LOC		DIST		REVISIONS			
P	LTR	DESCRIPTION	DATE	DWN	APVD		
-	-	SEE SHEET 1	-	-	-		



RECOMMENDED MOUNTING HOLE PATTERN

LED TYPE	LED DIMENSION $\triangle 4$	DIM "C"	DIM "D"	DIM "E"	DIM "F"	RECOMMENED SOCKET PART NUMBER
BRIDGELUX ES SERIES	25.5 X 22.3	9.70	16.30	6.30	15.80	1-2154857-2
BRIDGELUX LS SERIES	17.5 X 13.3	5.83	11.83	1.83	11.93	1-2154857-3
CITIZEN CLL020 SERIES	13.5 X 13.5	3.80	11.90	1.90	9.90	2-2154857-1
CITIZEN CLL030 SERIES	19.0 X 19.0	6.55	14.65	4.65	12.65	2-2154857-1
CITIZEN CLL040 SERIES	28.0 X 28.0	11.05	19.15	9.15	17.15	2-2154857-2
CITIZEN CLL050 SERIES	38.0 X 38.0	16.05	24.15	14.15	22.15	2-2154857-2
CITIZEN L330	28.0 X 19.0	11.05	14.65	4.65	17.15	2-2154857-3
CITIZEN L340	28.5 X 28.5	11.30	19.40	9.40	17.40	2-2154857-3
CREE CXA2011	22.0 X 22.0	8.05	16.15	6.15	14.15	1-2154857-3
CREE CXA15XX	15.85 X 15.85	4.98	13.08	3.08	11.08	2-2154857-2
CREE CXA25XX	23.85 X 23.85	8.98	17.08	7.08	15.08	2-2154857-2
LG INNOTEK 10, 13, 17W LEMWM	24.4 X 18.0	9.25	14.15	4.15	15.35	2-2154857-2
NICHIA COB L SERIES	19.0 X 16.0	6.55	13.15	3.15	12.65	2-2154857-1
NICHIA COB-J360	24.0 X 19.0	9.05	14.65	4.65	15.15	2-2154857-1
OSRAM GW KAJ	30.0 X 30.0	12.05	20.15	10.15	18.15	3-2154857-3
SHARP MINI-ZENIGATA $\triangle 9$	15.0 X 12.0	4.55	11.15	1.15	10.65	2-2154857-1
SHARP MEGA-ZENIGATA $\triangle 9$	24.0 X 20.0	9.05	15.15	5.15	15.15	2-2154857-3
SEOUL SEMI SBWW1F1A	13.25 X 13.25	3.68	11.78	1.78	9.78	2-2154857-1
SEOUL SEMI SBWW2F1A	17.75 X 17.75	5.93	14.03	4.03	12.03	2-2154857-2

THIS PRINT IS
PRELIMINARY
 UNQUALIFIED PRODUCT
 CONTACT PRODUCT ENGINEERING
 BEFORE USING THIS PRINT

THIS DRAWING IS A CONTROLLED DOCUMENT.

DIMENSIONS:	TOLERANCES UNLESS OTHERWISE SPECIFIED:	DWN	16MAR2012
mm	0 PLC \pm	M. MOSTOLLER	
	1 PLC ± 0.2	CHK	16MAR2012
	2 PLC ± 0.13	M. MOSTOLLER	
	3 PLC ± 0.013	APVD	16MAR2012
	4 PLC ± 0.0001		
	ANGLES ± 2	PRODUCT SPEC	
	FINISH	108-133005	
MATERIAL		APPLICATION SPEC	
		114-32043	
		WEIGHT	
		CUSTOMER DRAWING	

STE TE Connectivity

TWO PIECE ASSEMBLY
 SCALABLE LED SOCKET

NAME: -
 SIZE: A2 CAGE CODE: 00779 DRAWING NO: C-2154857
 RESTRICTED TO: -
 SCALE: 2:1 SHEET 2 OF 2 REV 8