

FJ-20-D-06.50-4

FJ-05-D-04.80-4

(1.00 mm) .0394"

FJ SERIES

# FLAT FLEXIBLE CABLE (FFC) JUMPER

## SPECIFICATIONS

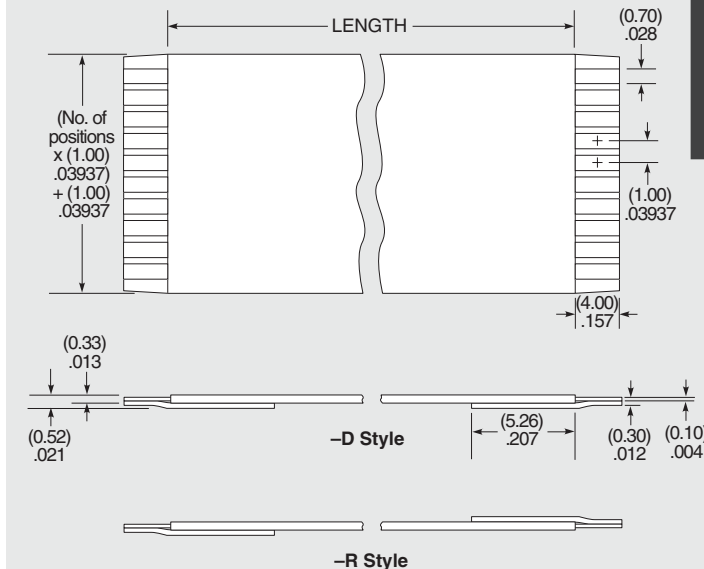
For complete specifications see [www.samtec.com/FJ](http://www.samtec.com/FJ)

- Conductor:** Tin Plated Copper
- Conductor Resistance:** 300 Ω/km max
- Insulation Resistance:** 10 MΩ/km min (conductor-to-conductor)
- Dielectric Test:** 400 VAC during 1 minute (conductor-to-conductor)
- Temperature Rating:** -30 °C to +80 °C
- Voltage Rating:** 300 VAC
- RoHS Compliant:** Yes

Mates with:  
FC1, ZF1



FJ	NO. OF POSITIONS	STYLE	LENGTH	STRIP LENGTH
	-05, -10, -15, -20, -25, -30	-D = Double End -R = Reversed End	Length in inches -03.00 = (76.2 mm) 3.00" -06.00 = (152.4 mm) 6.00" -12.00 = (304.8 mm) 12.00" -24.00 = (609.6 mm) 24.00" (Standard Lengths)	-4 = (4.00 mm) .157" (Required for mating with FC1 & ZF1)



## ALSO AVAILABLE (MOQ Required)

- Other Lengths

**Notes:**  
Stiffener color will be blue or black at Samtec's discretion.  
Some sizes, styles and options are non-standard, non-returnable.

Due to technical progress, all designs, specifications and components are subject to change without notice.

[WWW.SAMTEC.COM](http://WWW.SAMTEC.COM)

All parts within this catalog are built to Samtec's specifications. Customer specific requirements must be approved by Samtec and identified in a Samtec customer-specific drawing to apply.