

**RP600 Series**

**High Performance DC Power Line Filter**

**RP600  
HIGH PERFORMANCE TO 125A  
DC FILTER**

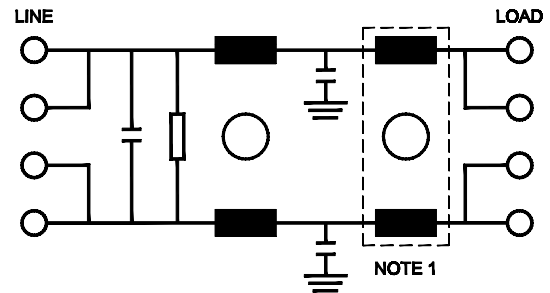
**ROHS COMPLIANT**



**SPECIFICATIONS**

Max. Operating Voltage	: 100VDC
Ambient Temperature	: -25 to 55C
Climatic Category	: 25/100/21
Hipot Rating (L-G)	: 2700VDC
Terminals (-T)	: S: 15/30/60A (M5) 80/100/125A (M6)
Safety Approvals	: UR, CSA, EN60939

**SCHEMATIC**



**NOTE: 1  
INDUCTOR REMOVED FOR 100A AND 125A**

**PART NUMBER/ ORDERING**

RP600	-X (Amps)	-Y (Ycap, nF)	-T	-Z	Weight LBS (KG) Typ.
	15	10	S	B	1.3 (0.6)
	30	100		F	1.9 (0.9)
	60	1000			3.2 (1.5)
	80				3.2 (1.5)
	100				7.7 (3.5)
	125				7.7 (3.5)

**Note:** -Z = Mounting

B = Bulkhead Mounting

F = Flange Mounting

Use any combination -Y(YCap) with any -X (Amps) rating:  
e.g. RP600-30-10-S-F (30 Amps with 10nF Ycap & Flange)

Reference purposes only.  
Specifications are subject to change.  
Consult factory to verify specifications.



## RP600 Typical Insertion Loss, dB (50/50ohm)

15 Amp					
FREQ (MHz)	.15	.5	1	10	30
CM (dB)	22	42	50	50	40
DM (dB)	30	32	38	40	35

30 Amp					
FREQ (MHz)	.15	.5	1	10	30
CM (dB)	24	50	60	45	38
DM (dB)	32	35	60	45	30

60/80 Amp					
FREQ (MHz)	.15	.5	1	10	30
CM (dB)	18	40	40	45	35
DM (dB)	40	42	35	42	35

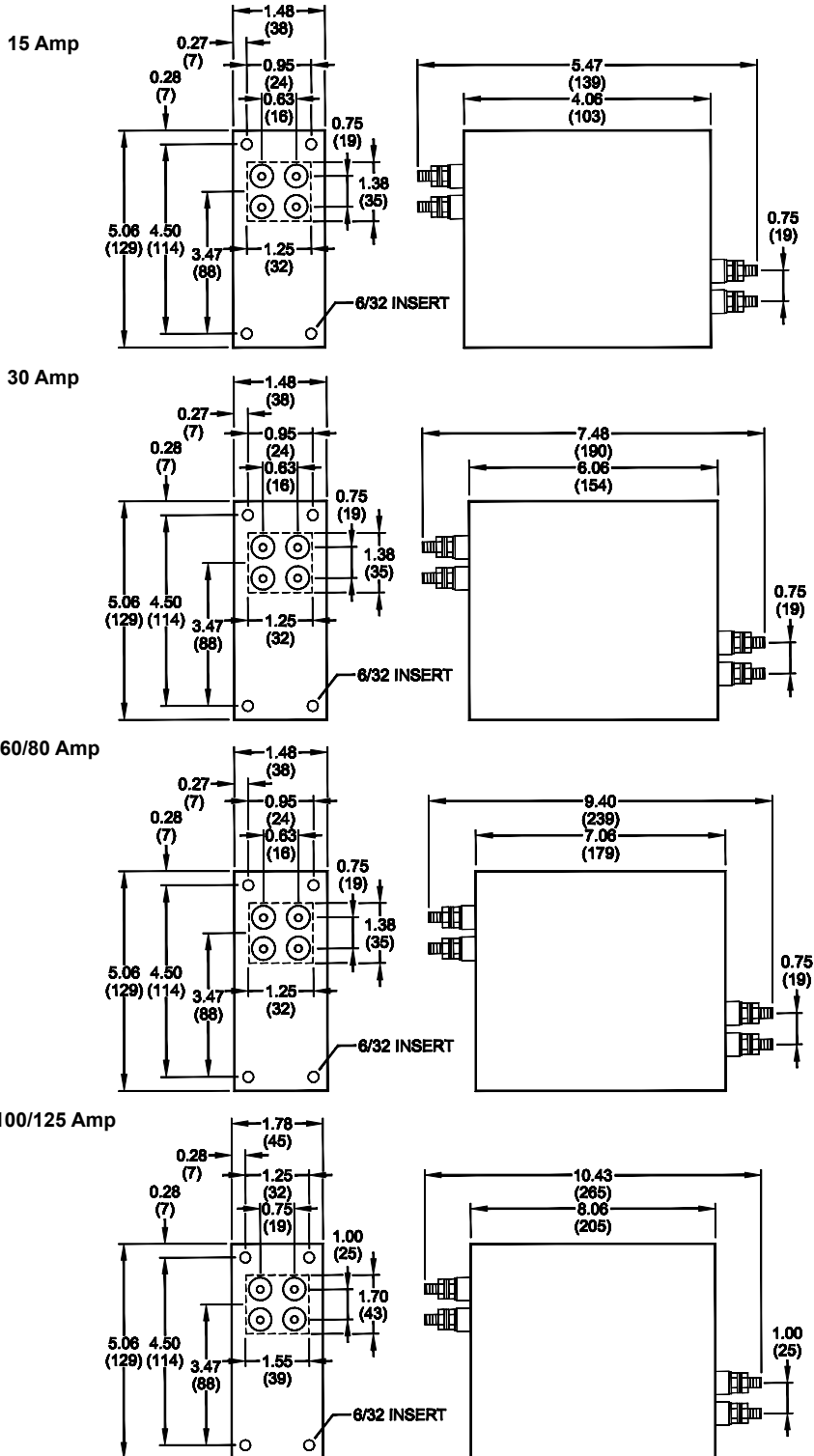
100 Amp					
FREQ (MHz)	.15	.5	1	10	30
CM (dB)	20	40	40	35	25
DM (dB)	40	42	30	45	35

125 Amp					
FREQ (MHz)	.15	.5	1	10	30
CM (dB)	20	32	34	30	20
DM (dB)	40	42	30	42	35

Reference purposes only.  
Specifications are subject to change.  
Consult factory to verify specifications.

**RP600  
Bulkhead Mounting**

**Mechanical Dimensions**



TYPICAL TOLERANCE: +/-0.02 (0.50)

Reference purposes only.  
Specifications are subject to change.  
Consult factory to verify specifications.

**RP600  
Flange Mounting**

**Mechanical Dimensions**



TYPICAL TOLERANCE: +/-0.02 (0.50)

[www.radiuspower.com](http://www.radiuspower.com)

Reference purposes only.  
Specifications are subject to change.  
Consult factory to verify specifications.