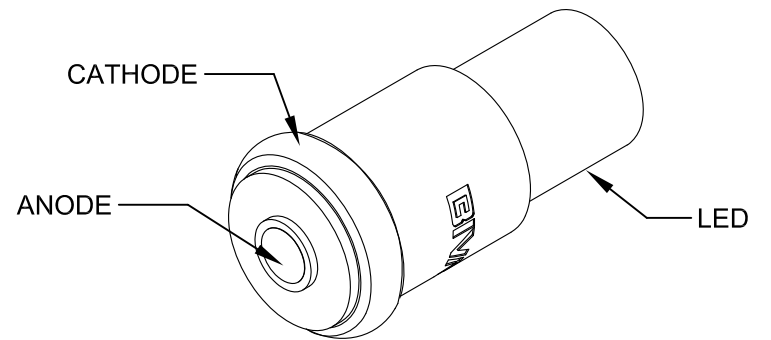
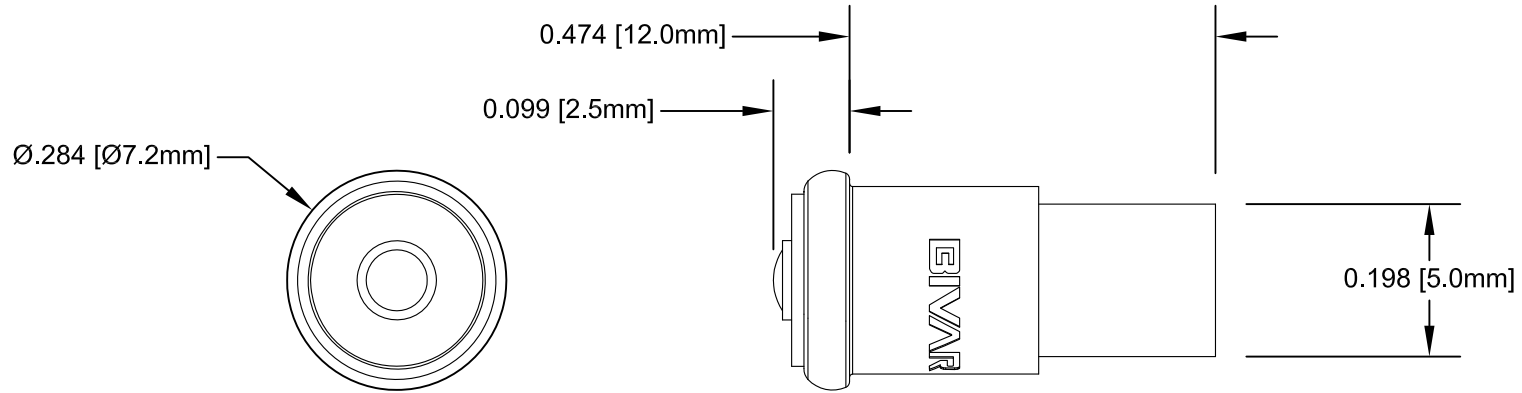



| REV. | DESCRIPTION | DATE | APPROVED |
|------|---------------------|----------|----------|
| A | Engineering Release | 10/21/13 | G. W. |
| | | | |
| | | | |
| | | | |



NOTES:

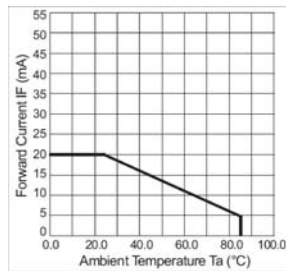
2. DIRECT REPLACEMENT FOR T1 3/4 MIDGET FLANGE SX6s BASED LAMPS
1. CENTER CONTACT ANODE

| STANDARD TOLERANCE (UNLESS OTHERWISE SPECIFIED) | |  4 THOMAS, IRVINE, CA. 92618 |
|--|--------------------------|--|
| DECIMALS | ANGULAR | |
| .X ± .1 | X° ± 1° | TITLE: 206 SERIES INCANDESCENT REPLACEMENT LED PART NO: LFR-206X-XXX REVISION: A |
| .XX ± .02 | | |
| .XXX ± .010 | | |
| DESIGNED: Alex Wright | DATE: 10/21/13 | CAGE CODE : 32559 |
| CHECKED: Minh Doan | DATE: 10/21/13 | SHEET # 1 OF 2 |
| CAD GENERATED DOCUMENT, DO NOT MEASURE DRAWING. | | |

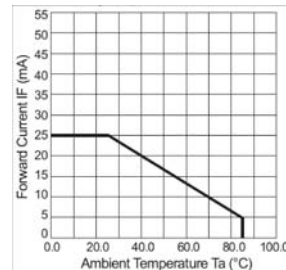
| REV. | DESCRIPTION | DATE | APPROVED |
|------|--------------|------|----------|
| | SEE SHEET #1 | | |
| | | | |
| | | | |
| | | | |

DERATING CURVES

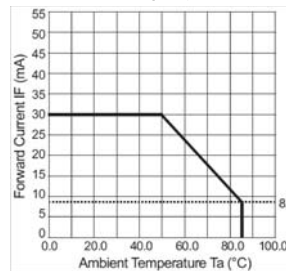
Derating Graph 1



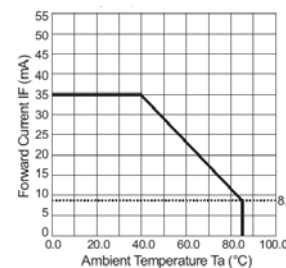
Derating Graph 2



Derating Graph 3





Derating Graph 4



| Bivar Part Number | Wave Length λp(nm) | Emitted Color | Lens Appearance | Operating Voltage | Electro-Optical Data | | Viewing Angle | De-rating Graphs |
|-------------------|------------------------------------|---------------|-----------------|-------------------|----------------------|----------|---------------|------------------|
| | | | | Vopr (Vdc) | Current DC (mA) | Iv (mcd) | | |
| | | | | TYP | TYP | TYP | | |
| LFR-206R12V | 630 | RED | CLEAR | 12 | 10 | 600 | 120 | 1 |
| LFR-206R28V | 630 | RED | CLEAR | 28 | 8 | 600 | 120 | 1 |
| LFR-206Y12V | 585 | YELLOW | CLEAR | 12 | 10 | 600 | 120 | 1 |
| LFR-206Y28V | 585 | YELLOW | CLEAR | 28 | 8 | 600 | 120 | 1 |
| LFR-206G12V | 515 | GREEN | CLEAR | 12 | 10 | 800 | 120 | 2 |
| LFR-206G28V | 515 | GREEN | CLEAR | 28 | 8 | 800 | 120 | 2 |
| LFR-206B12V | 465 | BLUE | CLEAR | 12 | 10 | 230 | 120 | 4 |
| LFR-206B28V | 465 | BLUE | CLEAR | 28 | 8 | 230 | 120 | 4 |
| Bivar Part Number | Chromaticity Coordinates | Emitted Color | Lens Appearance | Operating Voltage | Electro-Optical Data | | Viewing Angle | De-rating Graphs |
| | | | | Vopr (Vdc) | Current DC (mA) | Iv (mcd) | | |
| | | | | TYP | TYP | TYP | | |
| LFR-206WW12V | X=0.4255~0.4680 Y=0.4000~0.4385 | WARM WHITE | CLEAR | 12 | 10 | 850 | 120 | 3 |
| LFR-206WW28V | X=0.4255~0.4680 Y=0.4000~0.4385 | WARM WHITE | CLEAR | 28 | 8 | 850 | 120 | 3 |
| LFR-206CW12V | X=0.31 Y=0.32 | COOL WHITE | CLEAR | 12 | 10 | 1100 | 120 | 3 |
| LFR-206CW28V | X=0.31 Y=0.32 | COOL WHITE | CLEAR | 28 | 8 | 1100 | 120 | 3 |

ABSOLUTE MAXIMUM RATINGS (Ta = 25°C)

MAXIMUM POWER DISSIPATION _____ 500 mW
 OPERATING TEMPERATURE RANGE _____ -40°C ~ 85°C
 STORAGE TEMPERATURE _____ -40°C ~ 100°C

| | | | |
|--|--------------------------|--|-----------------------|
| STANDARD TOLERANCE (UNLESS OTHERWISE SPECIFIED) | |  BIVAR [®] 4 THOMAS, IRVINE, CA. 92618 TEL: (949) 951-8808 FAX: (949) 951-3974 | |
| DECIMALS | ANGULAR | | |
| DESIGNED: Alex Wright | DATE: 10/21/13 |  TITLE: 206 SERIES INCANDESCENT REPLACEMENT LED | |
| CHECKED: Minh Doan | DATE: 10/21/13 | PART NO: LFR-206X-XXX | REVISION: A |
| | | CAGE CODE : 32559 | SHEET # 2 OF 2 |
| CAD GENERATED DOCUMENT, DO NOT MEASURE DRAWING. | | | |