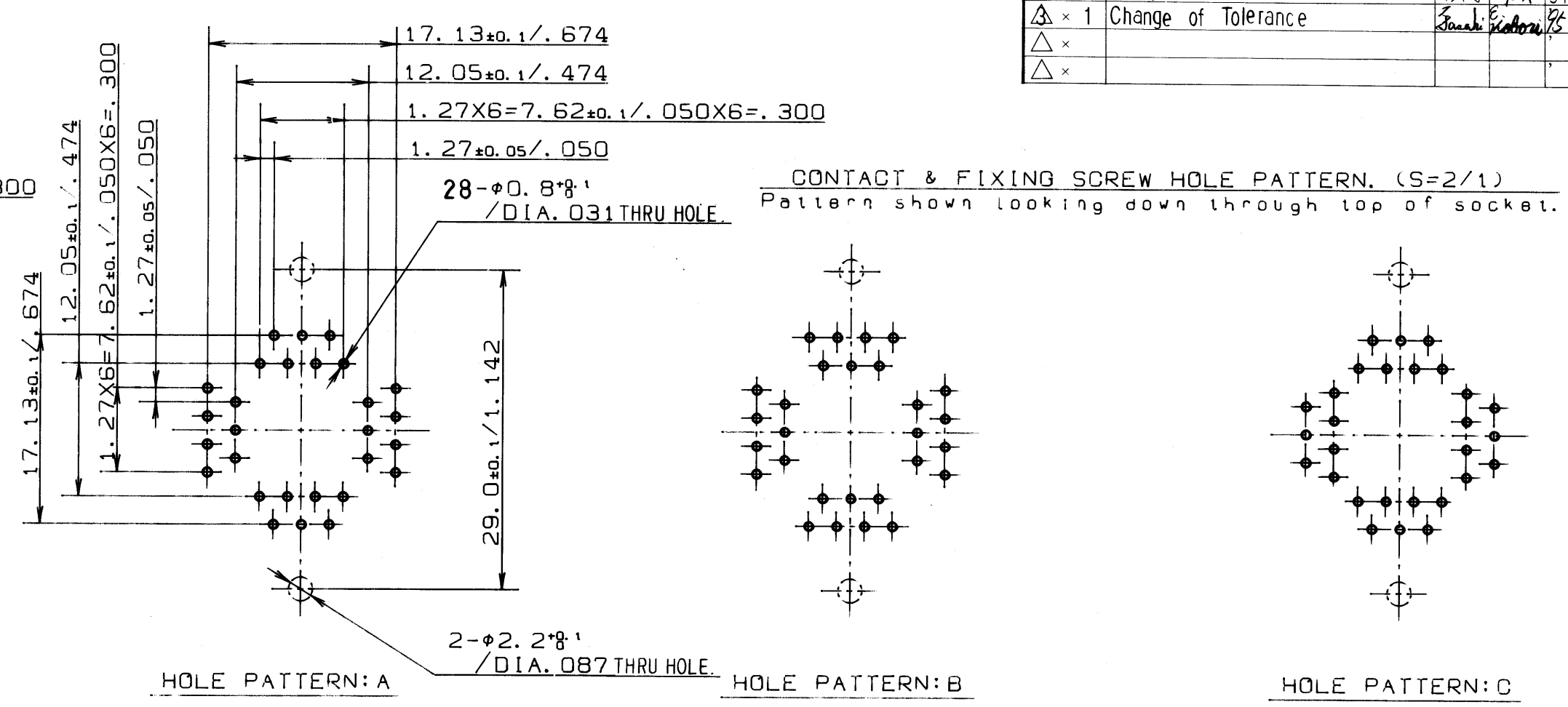
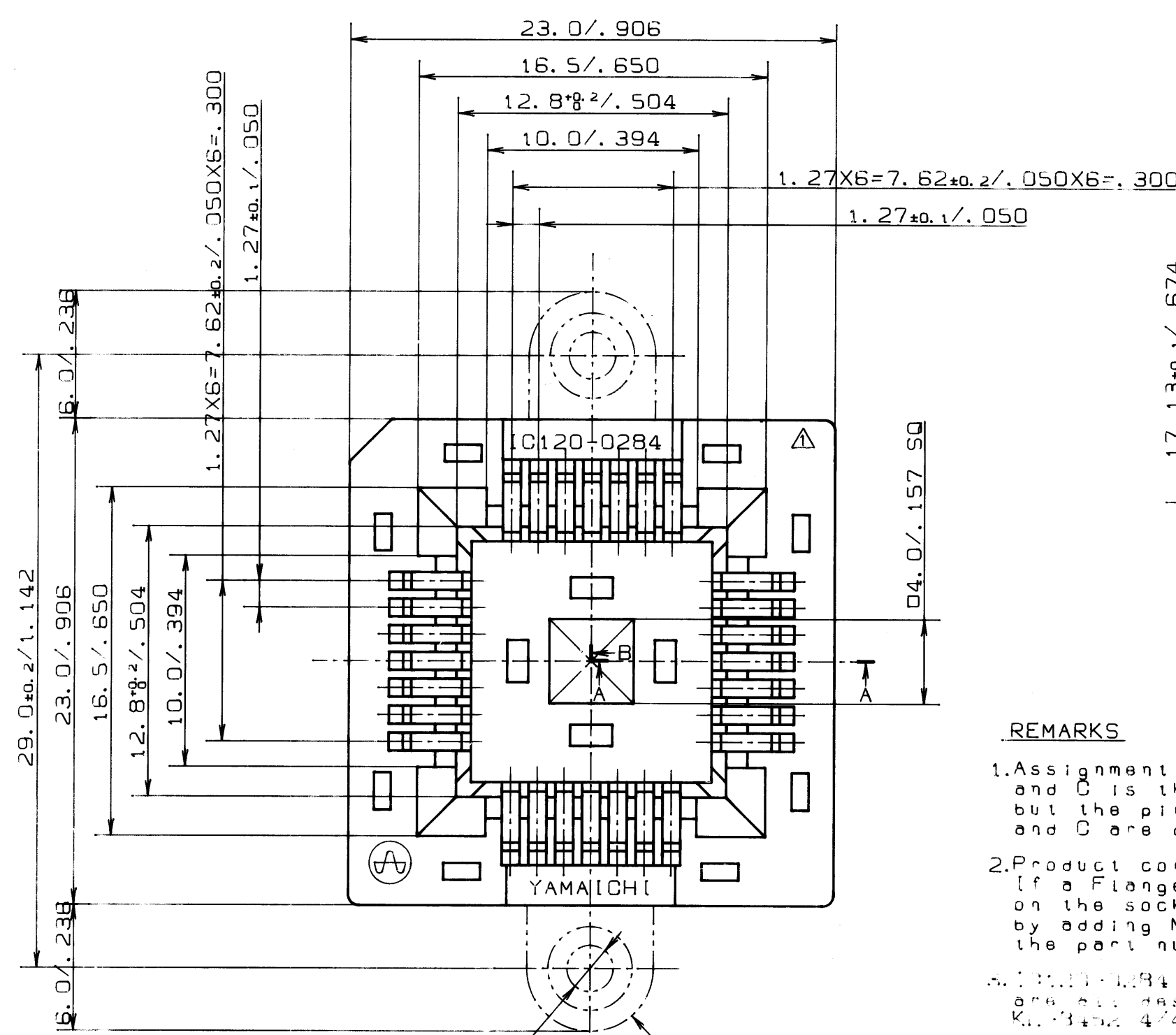


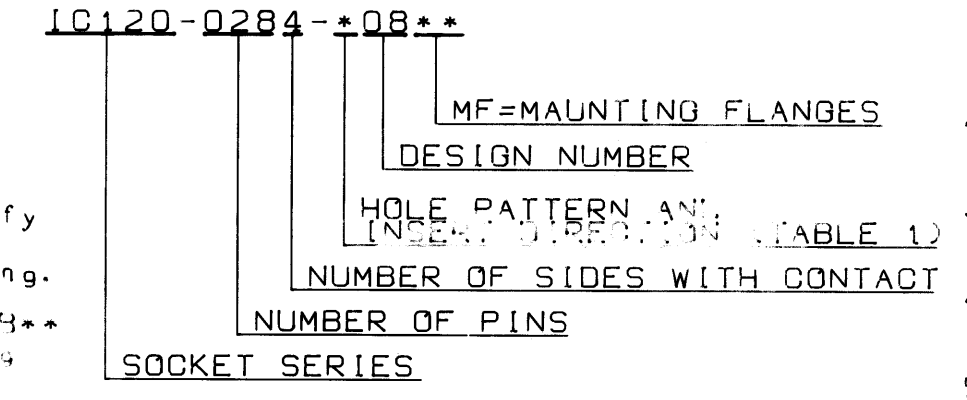
記号×数 SYM.×QNT.	変更内容 REVISION DESCRIPTION	承認 APP.	担当 SIGN.	年・月・日 DATE	変更通知書番号 REV. NOTICE NO.
△ × 2	Product numbers onto molding changed.		清江	87-8-7	87-1014
△ × 1	Change of Material		坂本	91-6-10	91-1215
△ × 1	Change of Tolerance		坂本	88-4-19	88-0742
△ ×					
△ ×					



REMARKS

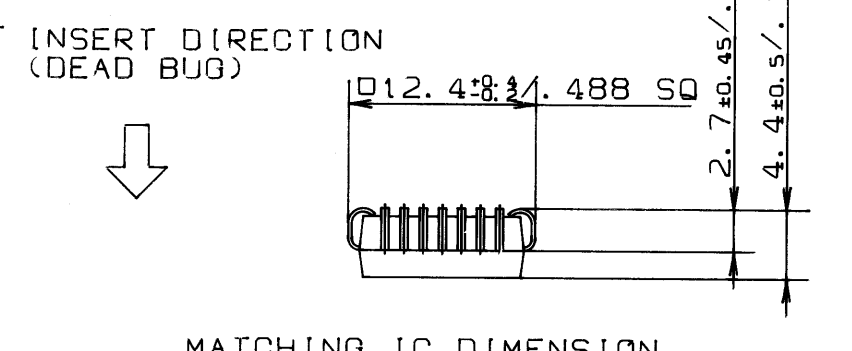
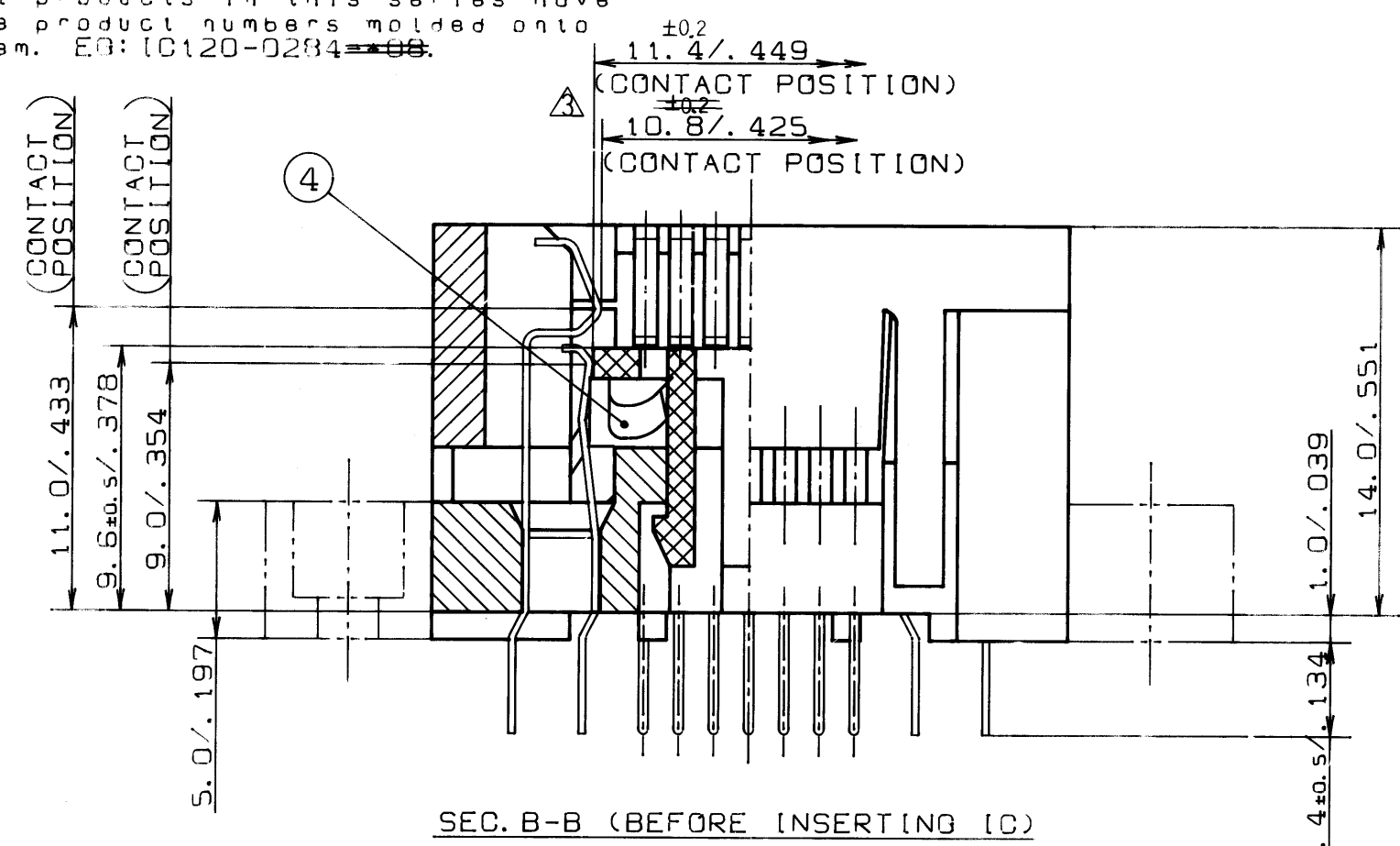
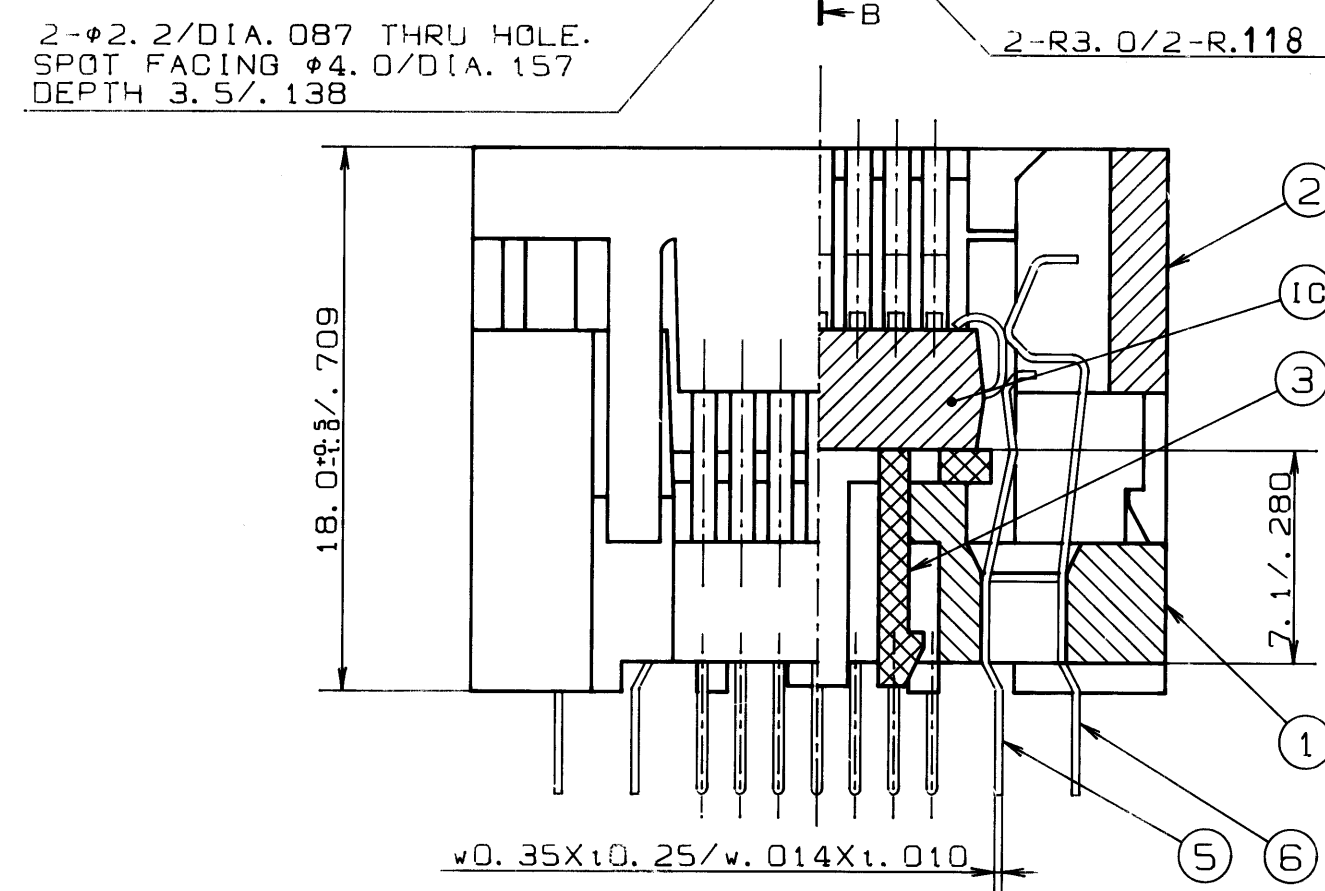
- Assignment of pins for A, B and C is the same, but the pin pattern of A, B and C are different.
- Product configuration. If a Flange is required on the socket, please specify by adding MF to the end of the part number when ordering.
- Product numbers molded onto them. EG: IC120-0284-008.
- All products in this series have the product numbers molded onto them. EG: IC120-0284-008.

PART NUMBER IDENTIFICATION



SPECIFICATION

- INSULATION RESISTANCE: 1.000MΩ min. at DC500V.
- WITHSTANDING VOLTAGE: AC700V for one minute.
- CONTACT RESISTANCE: 30mΩ max. at 10mA/20mV max.
- OPERATING TEMPERATURE: -40°C ~ +170°C.
- NORMAL FORCE: 20g min. / contact at minimum displacement 0.3mm, 90g max. / contact at maximum displacement 0.8mm.



MATCHING IC DIMENSION
HANDLING INSTRUCTIONS (DEAD BUG)
Place the package in an upside down position on the plane and push downwards. Then lift Insulator B up to the lock position.
For extraction, push Insulator B downwards. The package comes up for easy removal with a vacuum or tweezers.

ITEM	DESCRIPTION	QUANTITY	MATERIAL	CONTENTS	PART IDENT.
5	CONTACT-424	D	TABLE 1	BeCu 0.25	Ni-Au PL. (CLASS BF) SL-8996
4	IC120-0204-005 LEVER	C	TABLE 1		SM-11598
3	IC120-0284-008 PLANE	4	PPS	BLACK	SL-10085
2	IC120-0284-008 INSULATOR B	1	PEI(GF)		SL-10084
1	IC120-0284-008** INSULATOR A	1	PPS△PEI(GF)		SL-10083

TABLE 1

PART TITLE	HOLE PATTERN	NG. OF CONTACT C/D	INSERT DIRECTION
IC120-0284-008**	A	14/14	DEAD BUG
IC120-0284-208**	B	12/16	DEAD BUG
IC120-0284-408**	C	16/12	DEAD BUG

TOLERANCES ±0.3/±0.12 Unless otherwise specified dimensions.

山一電機工業株式会社
YAMAICHI ELECTRIC MFG. CO., LTD.

分類 (CLASS)
名称 (TITLE)
IC120-0284-008**

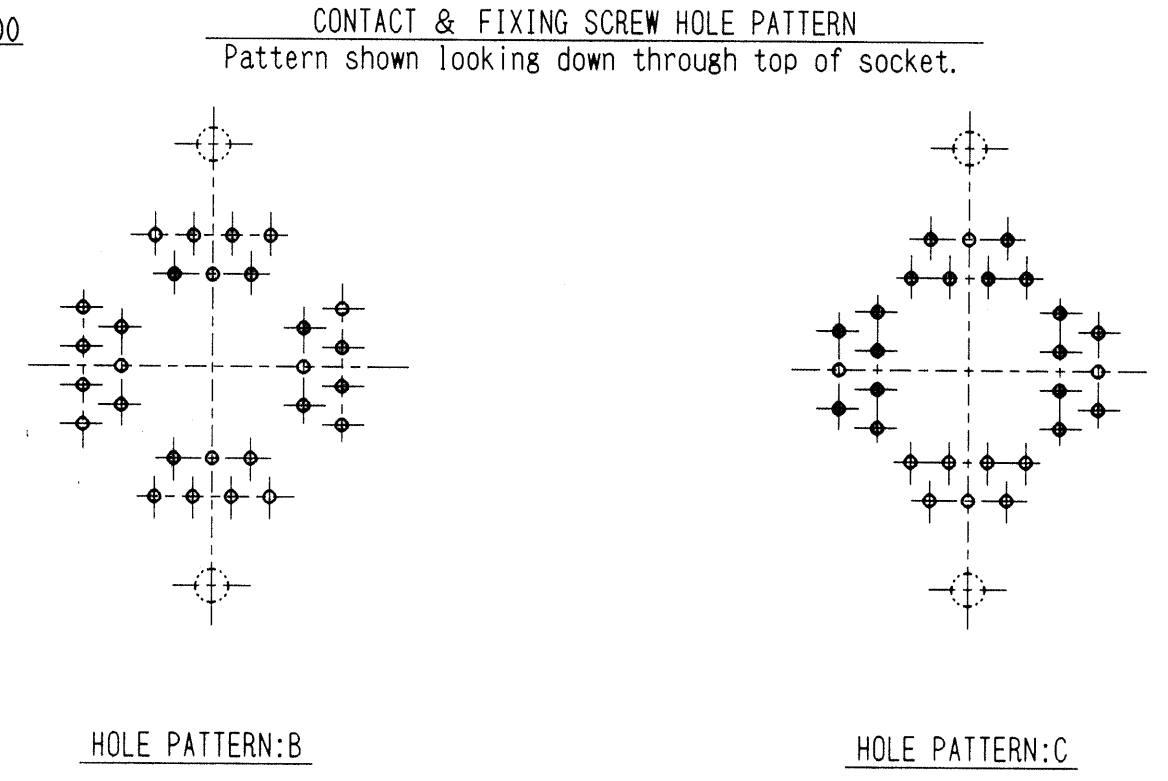
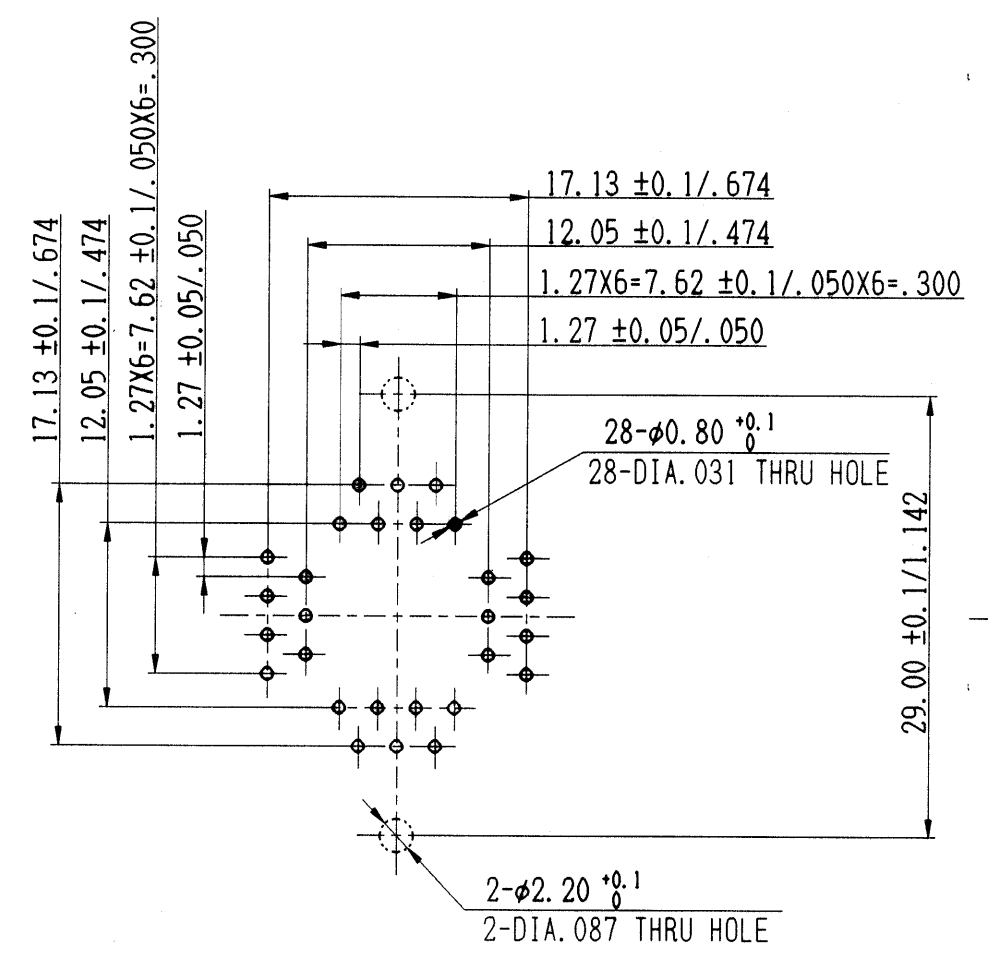
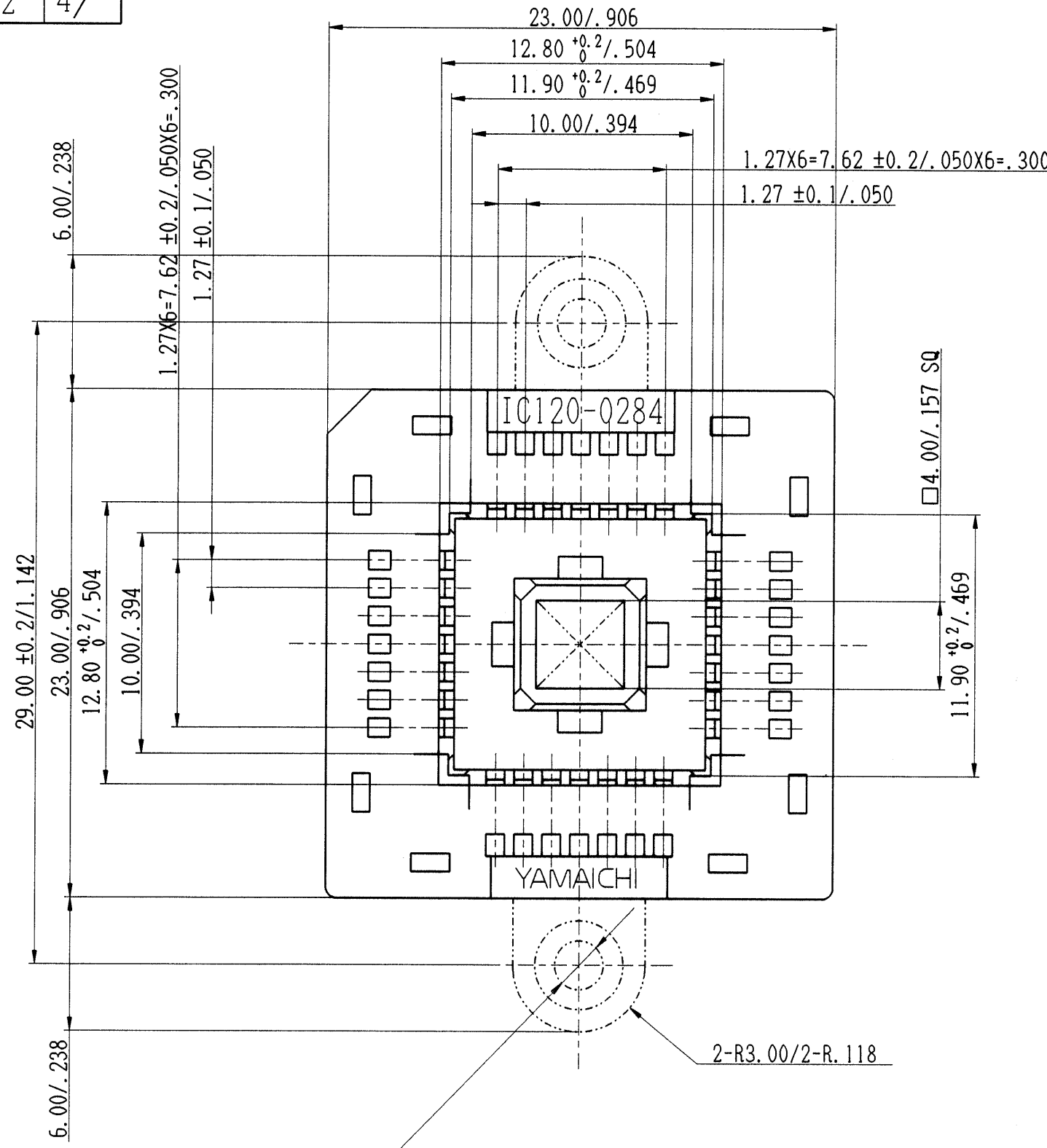
図番 (DRAW. NO.) KL-8452

SCALE 4/1
承認 APP. 承認 APP. 検閲 CHK. 製図 DRW. 設計 DSGN. 87-6-10 87-6-10 87-6-9 87-6-5 87-5-11

單位 DIMENSION 3RD ANGLE PROJECTION

KL-8452 Sheet No. 4/

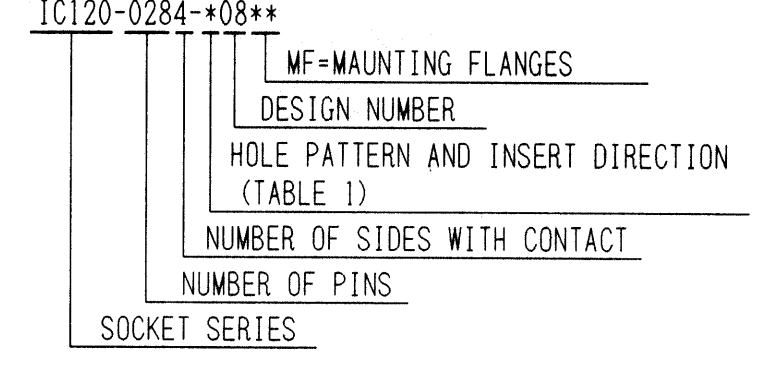
記号×数 SYM. X QNT.	変更内容 REVISION DESCRIPTION	承認 APP.	担当 SIGN.	年・月・日 DATE	変更通知番号 REV. NOTICE NO.
△ x	Redrawn	sasaki	uratsujii	'87・8・18	87-1014
△ x 14	Design changed	sasaki	uratsujii	'88・3・2	88-0156
△ x 1	Redrawn	Yoshida	Takeuchi	'94・9・19	技94-1407
△ x 1	Change of Tolerance	Yoshida	Takeuchi	'8・9・19	技95-0742



REMARKS

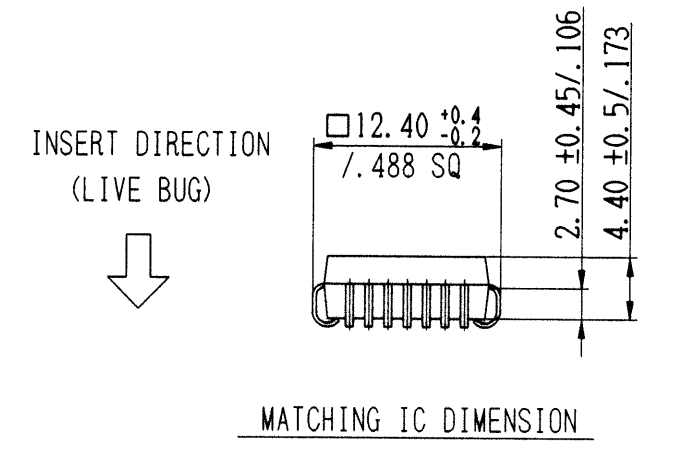
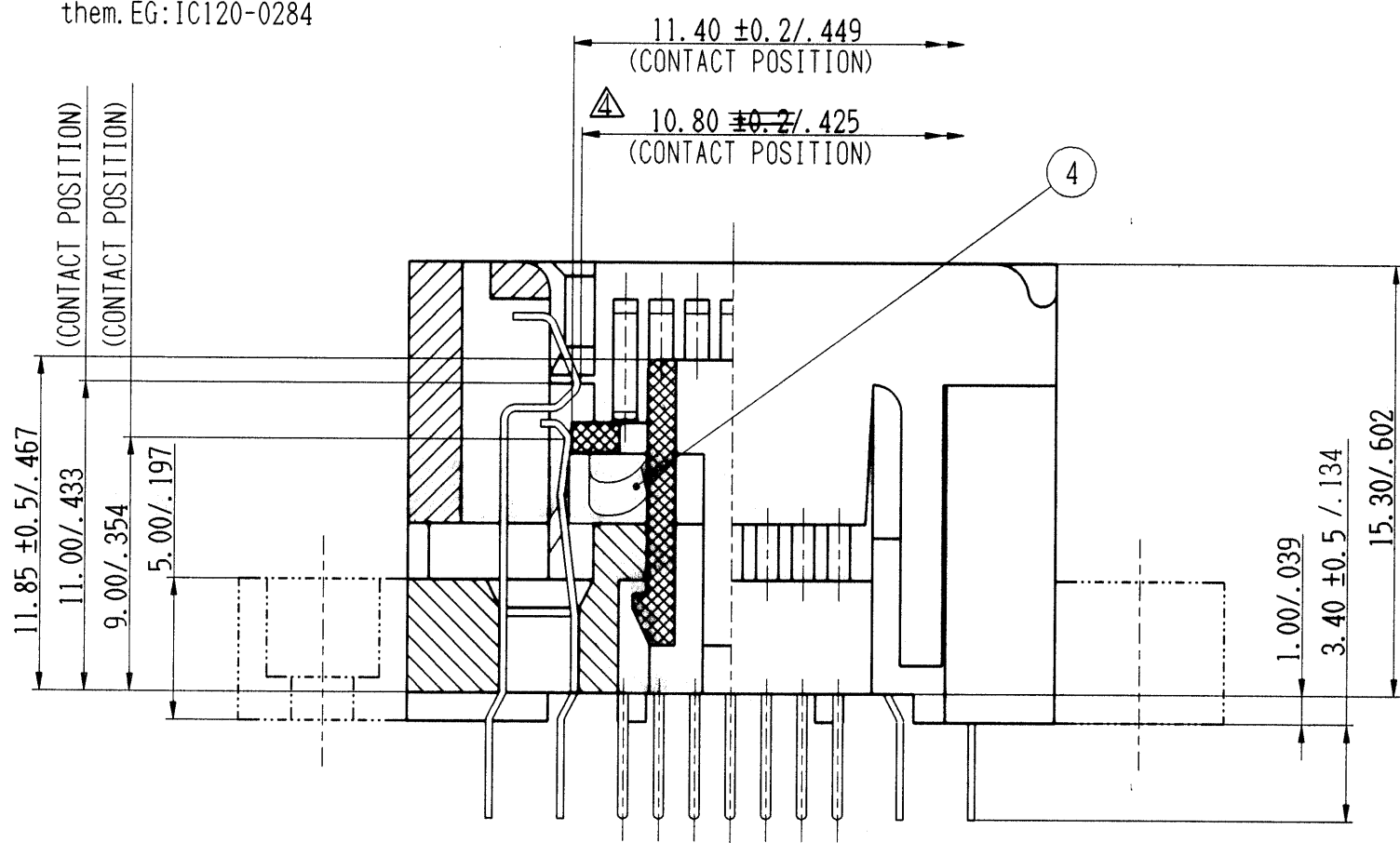
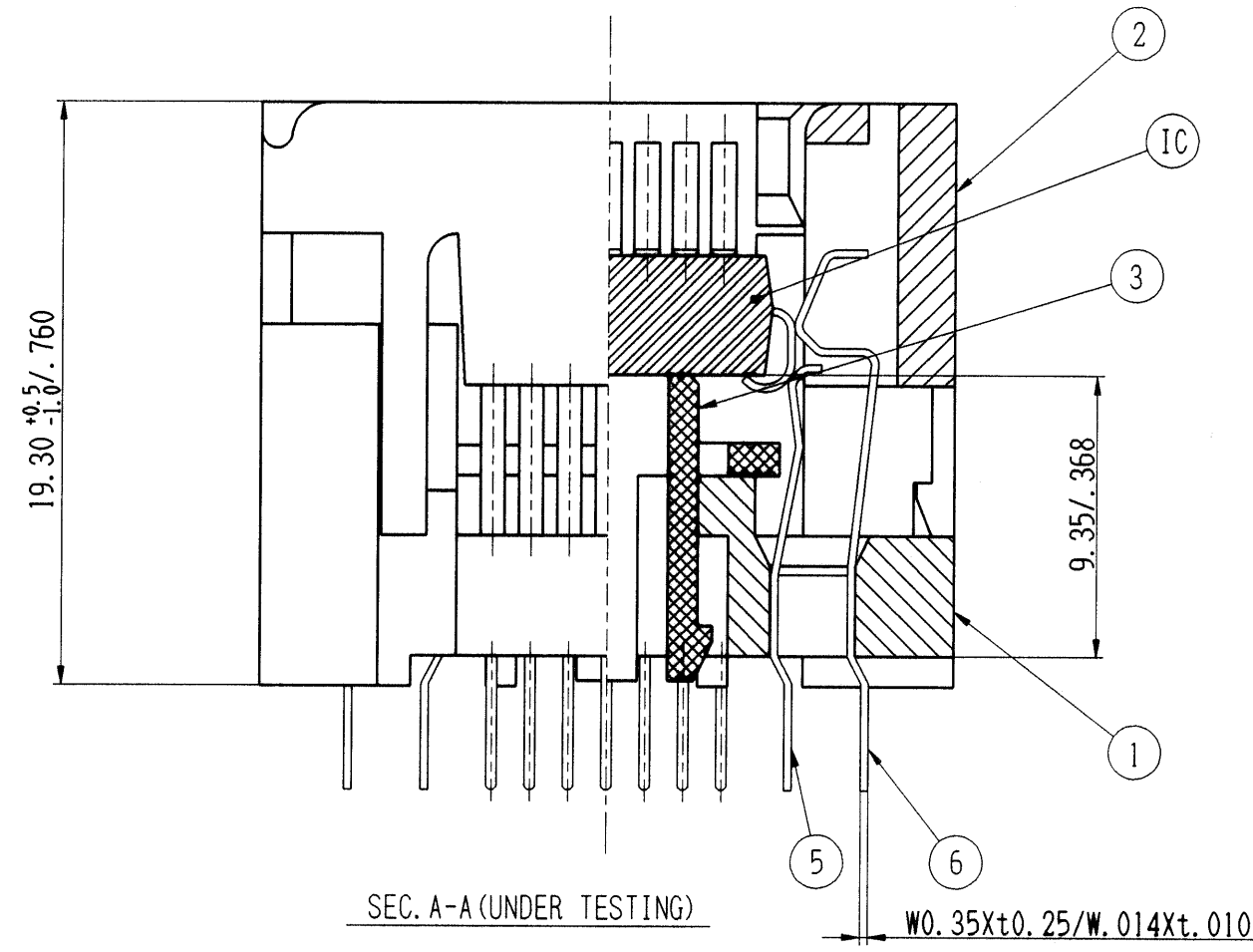
- Assignment of pins for A, B and C is the same, but the pin pattern of A, B and C are different.
- Product configuration. if a flange is required on the socket, please specify by adding MF to the end of the part number when ordering.
- IC120-0284-008-**, -208**, -408** are all described on drawing KL-8452 3/4.
- All products in this series have the product numbers molded onto them. EG: IC120-0284

PART NUMBER IDENTIFICATION



SPECIFICATION

- INSULATION RESISTANCE: 1000MΩ min. at DC500V.
- WITHSTANDING VOLTAGE: AC700V for one minute.
- CONTACT RESISTANCE: 30mΩ max. at 10mA/20mV max.
- OPERATION TEMPERATURE: -40°C ~ +170°C
- NOMAL FORCE 20g mini. /contact at minimum displacement 0.3mm. 90g max. /contact at maximum displacement 0.8mm.



HANDLING INSTRUCTIONS (LIVE BUG)

Place the package right side up onto the plane and push downwards. Then lift insulator B up to the lock position.
For extraction, push insulator B downwards. The package comes up for easy removal with a vacuum or tweezers.

ITEM	DESCRIPTION	QNT.	MATERIAL	CONTENT	PART IDENT.
6	Contact 424	D	TABLE 1	BeCu t0.25	Ni-Au Pt (Class B) SL-8996
4	IC120-0204-005 LEVER	4	PPS		SM-11598
3	IC120-0284-*08 PLANE-2	1	PEI (GF)	Black	SL-10086
2	IC120-0284-108 INSULATOR B	1	△ PEI (GF)		SL-10202
1	IC120-0284-008** INSULATOR A	1	PEI (GF)		SL-10083

TABLE 1

PART TITLE	HOLE PATTERN	NO. OF CONTACT C/D	INSERT DIRECTION
IC120-0284-108**	A	14/14	LIVE BUG
IC120-0284-308**	B	12/16	LIVE BUG
IC120-0284-508**	C	16/12	LIVE BUG

TOLERANCES. ±0.3/±0.012 Unless otherwise specified dimensions.

山一電機株式会社 YAMAICHI ELECTRONICS Co., Ltd.

分類 (CLASS) QFJ (PLCC) -28pin

尺度 SCALE	承認 APP.	承認 APP.	検図 CHK.	製図 DRW.	設計 DSGN.
4/1					

名称 (TITLE) IC120-0284-*08**
図番 (DRW. NO.) KL-8452
Sheet No. 4/ REV. E