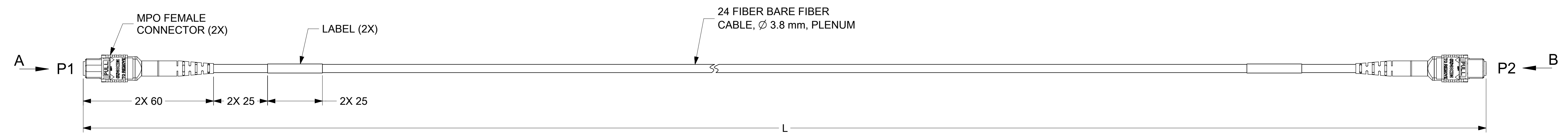
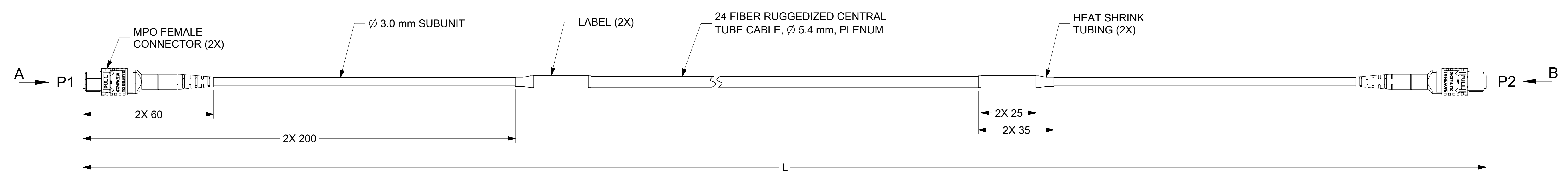


TRUNK CABLE P/N	OVERALL LENGTH, L (m)	CABLE TYPE	FIBER TYPE	CONNECTOR/CABLE COLOR	INSERTION LOSS	RETURN LOSS
1062250061	1.0 +0.2 / -0	SINGLE JACKET	MM 50/125 μm OM3 BIF	AQUA / AQUA	0.5 dB @ 850 nm	---
1062250062	3.0 +0.2 / -0					
1062250063	5.0 +0.2 / -0					
1062250013	10.0 +0.2 / -0					
1062250064	15.0 +0.3 / -0					
1062250014	25.0 +0.5 / -0	RUGGEDIZED DUAL JACKET	MM 50/125 μm OM3 BIF	AQUA / AQUA	0.5 dB @ 850 nm	---
1062250015	50.0 +1.0 / -0					
1062250016	100.0 +2.0 / -0					
1062250065	1.0 +0.2 / -0	SINGLE JACKET	MM 50/125 μm OM4 BIF	AQUA / AQUA	0.5 dB @ 850 nm	---
1062250066	3.0 +0.2 / -0					
1062250067	5.0 +0.2 / -0					
1062250017	10.0 +0.2 / -0					
1062250068	15.0 +0.3 / -0					
1062250018	25.0 +0.5 / -0	RUGGEDIZED DUAL JACKET	MM 50/125 μm OM4 BIF	AQUA / AQUA	0.5 dB @ 850 nm	---
1062250019	50.0 +1.0 / -0					
1062250020	100.0 +2.0 / -0					
1062250069	1.0 +0.2 / -0	SINGLE JACKET	SM 9/125 μm OS2 ITU-T G.657.A1 BIF	YELLOW / YELLOW	0.5 dB @ 1550 nm	- 50 dB @ 1550 nm
1062250070	3.0 +0.2 / -0					
1062250071	5.0 +0.2 / -0					
1062250021	10.0 +0.2 / -0					
1062250072	15.0 +0.3 / -0					
1062250022	25.0 +0.5 / -0	RUGGEDIZED DUAL JACKET	SM 9/125 μm OS2 ITU-T G.657.A1 BIF	YELLOW / YELLOW	0.5 dB @ 1550 nm	- 50 dB @ 1550 nm
1062250023	50.0 +1.0 / -0					
1062250024	100.0 +2.0 / -0					

CONNECTIONS	
FROM	TO
P1-1 THRU P1-12	P2-13 THRU P2-24
P1-13 THRU P1-24	P2-1 THRU P2-12

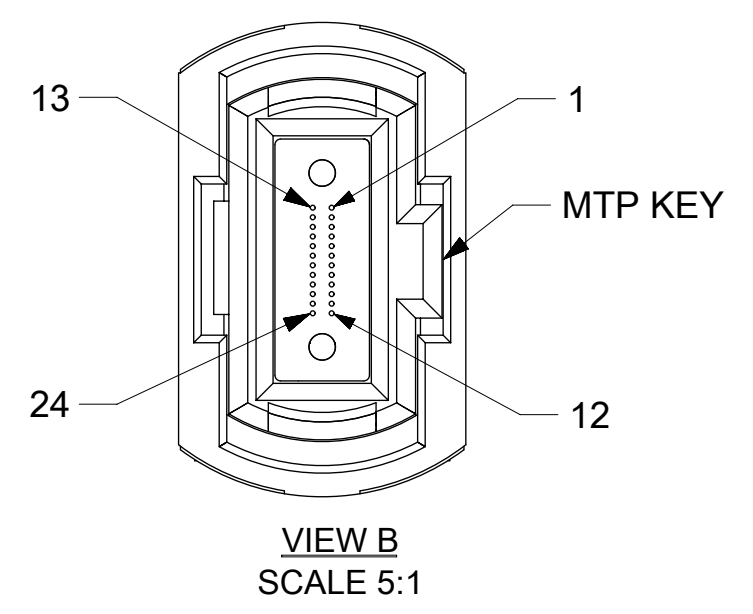
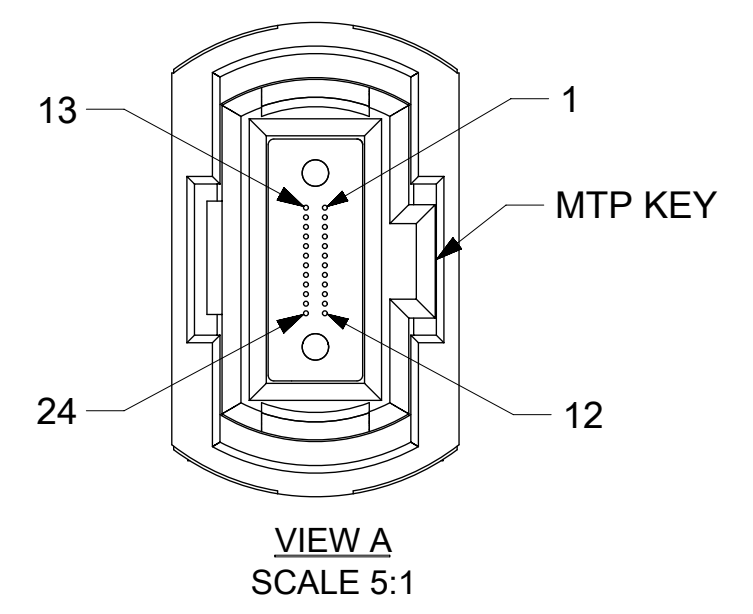


**SINGLE JACKET**



**RUGGEDIZED DUAL JACKET**

- NOTES:**
1. ENDCAPS ARE NOT SHOWN BUT INLCUDED.
  2. LABEL IS PRINTED WITH MOLEX P/N AND SERIAL NUMBER.
  3. FOR DETAILED PRODUCT SPECIFICATION SEE DOCUMENT 1062250000 ES.
  4. CABLE CONSTRUCTION:
    - L < 25 meters - SINGLE JACKET CABLE
    - L ≥ 25 meters - RUGGEDIZED CENTRAL TUBE CABLE
  5. INSERTION LOSS TEST DATA IS PROVIDED WITH EACH SHIPMENT.
  6. PACKAGING:
    - L < 50 meters - INDIVIDUALLY COILED AND BAGGED
    - L ≥ 50 meters - SHIPPED ON SPOOLS



QUALITY SYMBOLS F = 0 E = 0 E = 0 = 0 = 0 = 0 = 0 = 0 = 0		THIS DRAWING CONTAINS INFORMATION THAT IS PROPRIETARY TO MOLEX ELECTRONIC TECHNOLOGIES, LLC AND SHOULD NOT BE USED WITHOUT WRITTEN PERMISSION		DIMENSION UNITS: mm SCALE: 1:1		<b>molex</b> MPO(F) TO MPO(F) TRUNK CABLE, 24 FIBER, PLENUM	
EC NO: 609905 DRWN: IGUMIN CHKD: GGENCHANOK REV APPR: GGENCHANOK		2019/01/03 2019/01/03 2019/01/03		GENERAL TOLERANCES (UNLESS SPECIFIED) ANGULAR TOL ± ° 4 PLACES ± 3 PLACES ± 2 PLACES ± 1 PLACE ± 0 PLACES ± DRAFT WHERE APPLICABLE MUST REMAIN WITHIN DIMENSIONS		DRWN BY: IGUMIN DATE: 2017/02/16 CHKD BY: GGENCHANOK DATE: 2017/03/21 APPR BY: IGUMIN DATE: 2017/03/21	
RELEASE STATUS: P1 RELEASE DATE: 2019/01/03 22:37:22		B2		D THIRD ANGLE PROJECTION		PRODUCT CUSTOMER DRAWING SERIES: 106225 MATERIAL NUMBER: SEE TABLE CUSTOMER:	
DOCUMENT NUMBER: 1062250013 DOC TYPE: PSD DOC PART: 000 SHEET NUMBER: 1 OF 1							