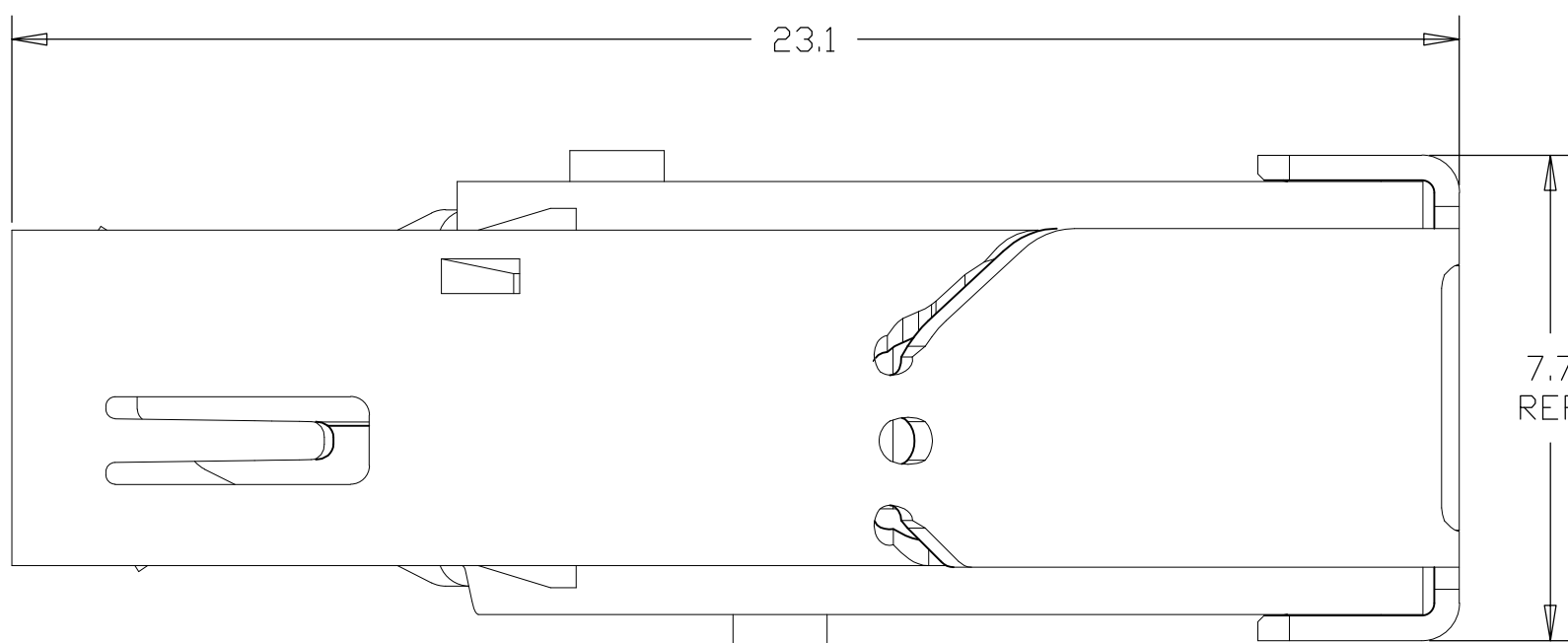
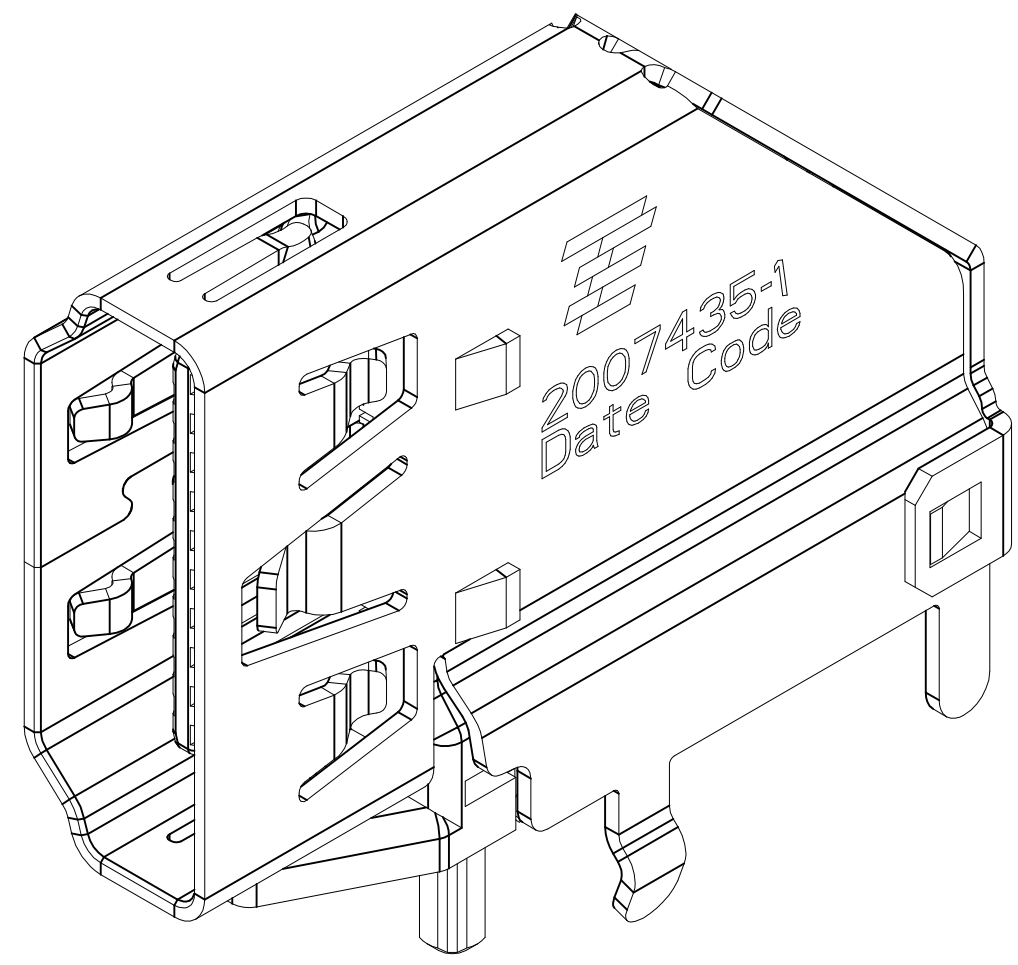
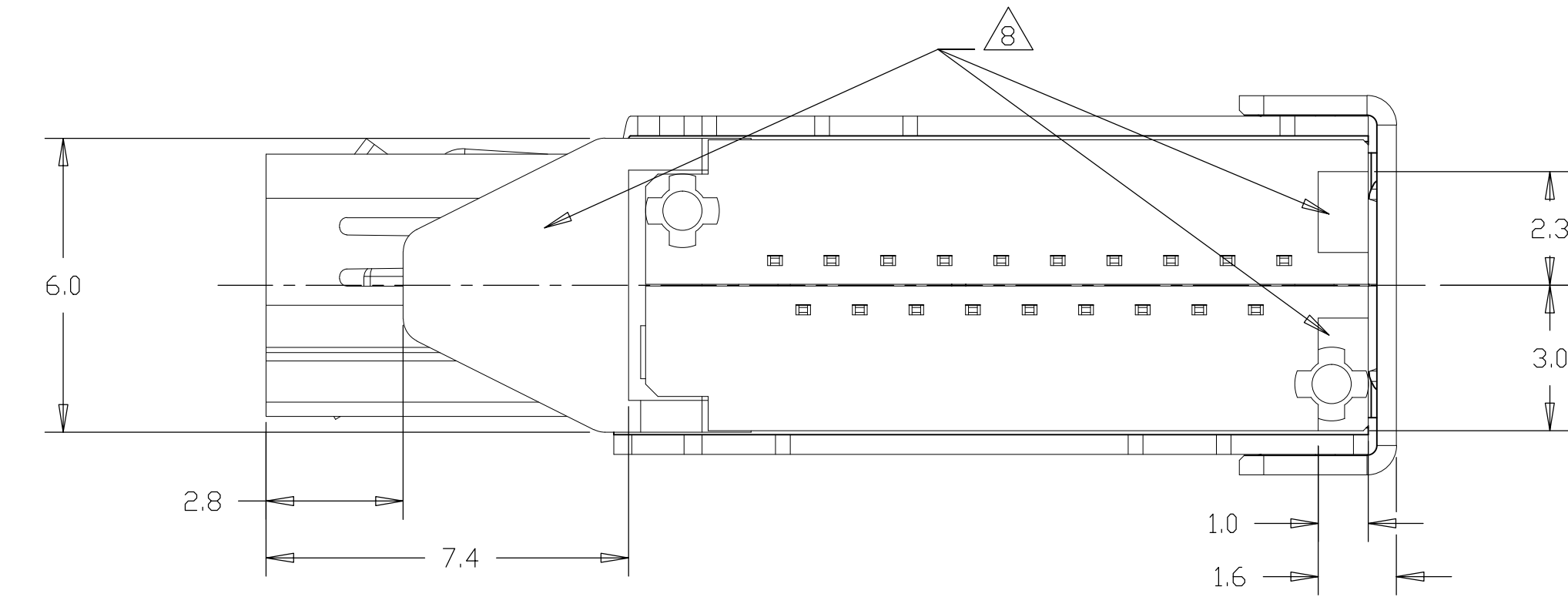
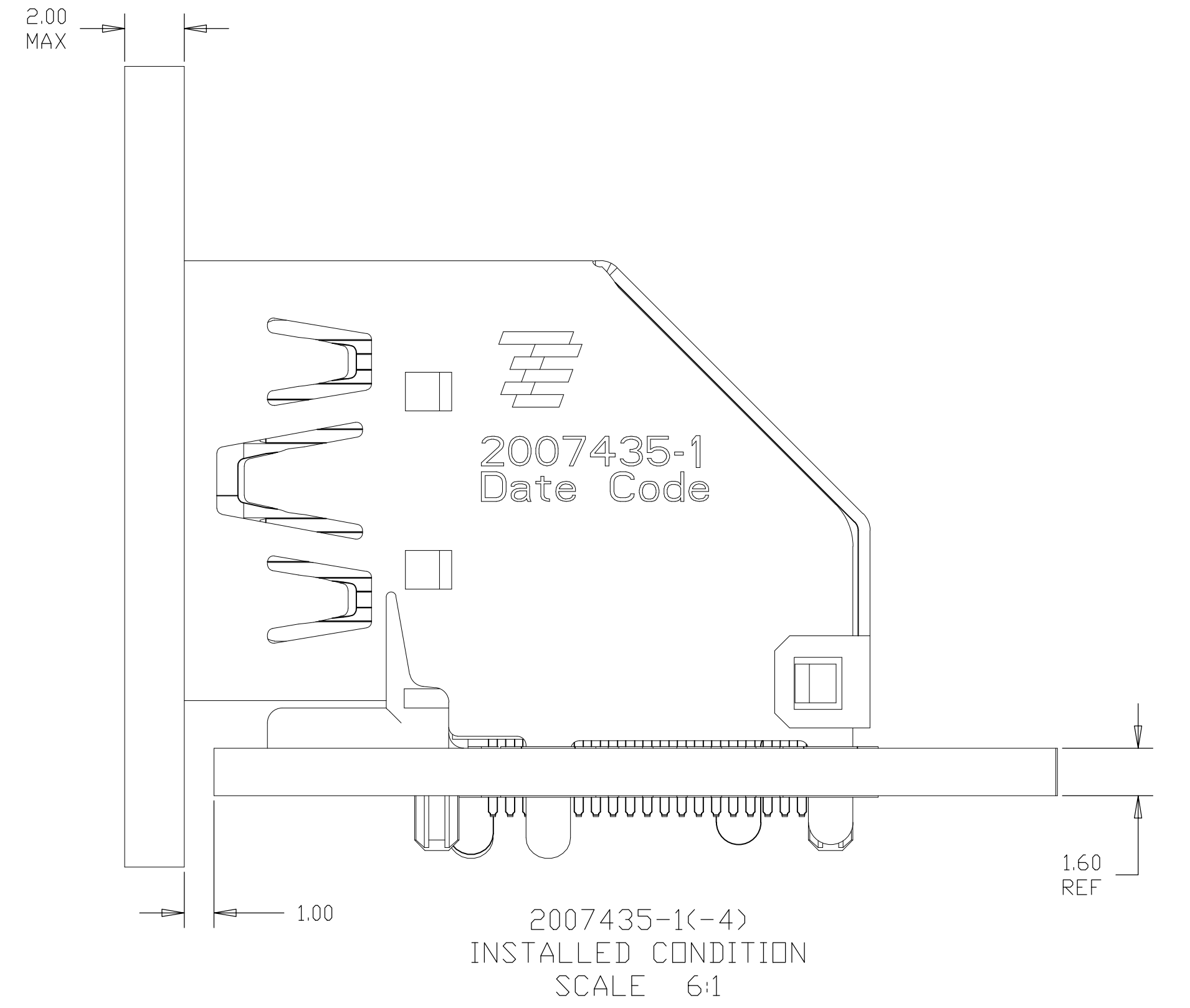
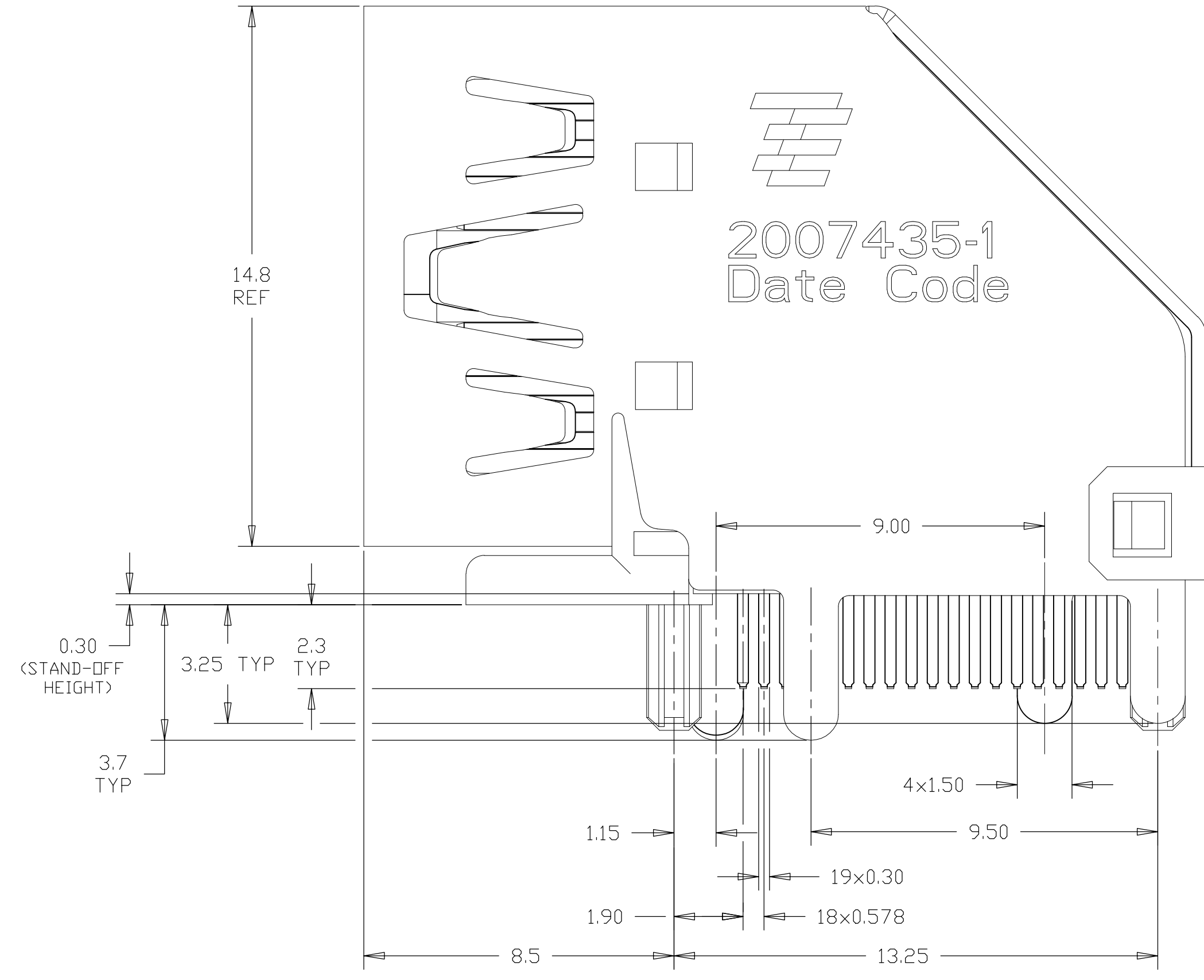
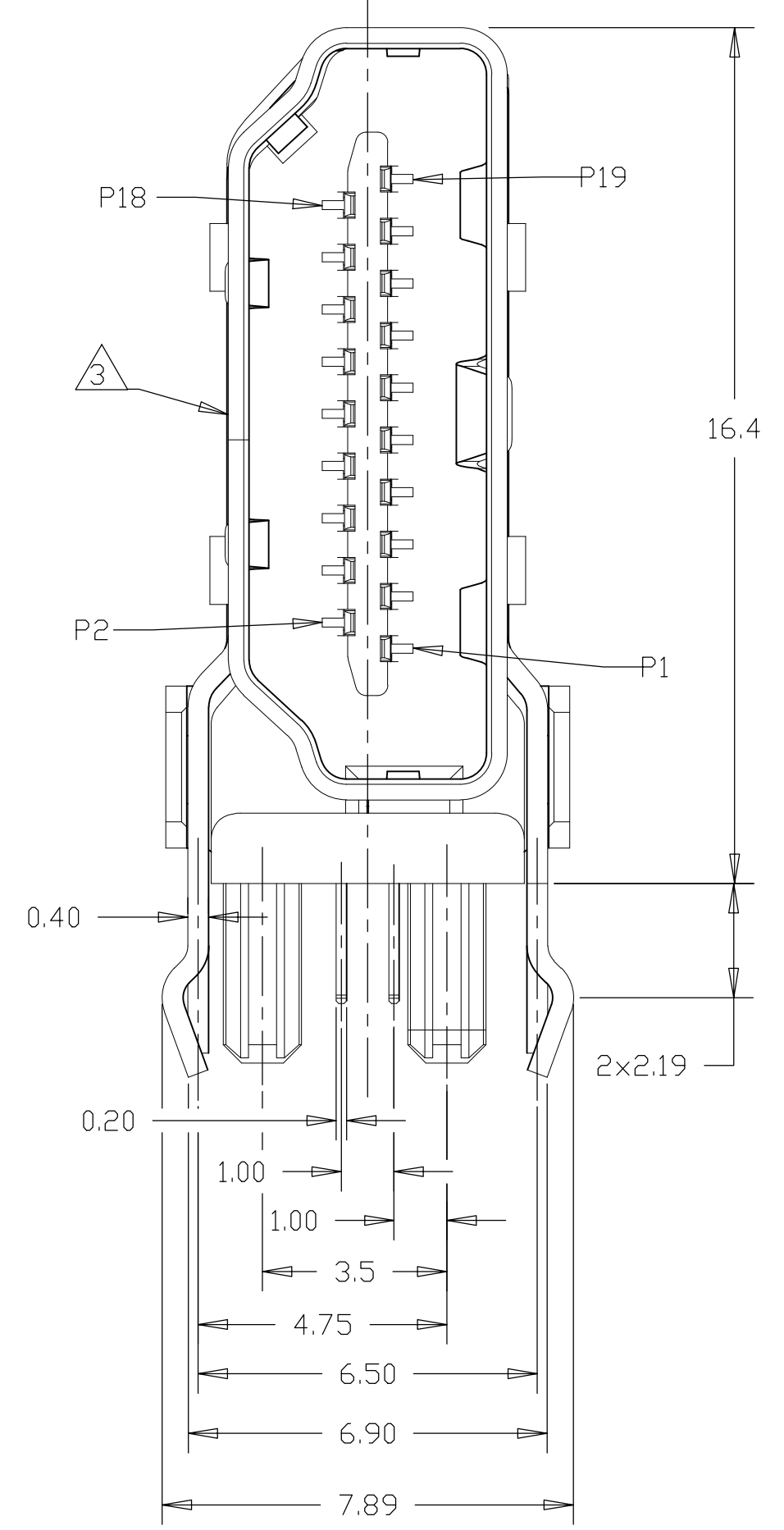


REVISONS		DATE	DMN	APVD
C	RELEASE PER ECR-10-024107	8/31/2010	FL	SY
C1	RELEASE PER ECR-11-016951	7/20/2011	JJ	SY
D2	RELEASED PER ECR-16-011711	4/10/2017	A.X	H.W



- 1 MATERIALS:**
 HOUSING: HIGH TEMP THERMOPLASTIC, UL94V-0, BLACK, PBT.
 CONTACTS: COPPER ALLOY.
 SHIELD: STAINLESS STEEL.
- 2 FINISH:**
 CONTACTS:
 MATING AREA: CONFORMS TO HDMI SPECIFICATION VERSION 1.3a TABLE 4-6 AND 4-7 (ELECTRICAL AND ENVIRONMENTAL PERFORMANCE), BASED ON EIA/ECA - 364-1000.01A (CONTROLLED ENVIRONMENT APPLICATIONS).
 SOLDER TAILS: TIN OVER NICKEL.
- 3 INTERFACE DIMENSIONS PER HDMI SPECIFICATION VERSION 1.3a.**
- 4 WAVE SOLDER COMPATIBLE PER 109-202. CONDITION B. NO CLEAN FLUX IS RECOMMENDED.**
- 5 THIS DIMENSION HAS AN ADDITIONAL 1.0 CLEARANCE OVER HDMI V1.3a SPECIFICATION MAXIMUM CABLE TYPE A PLUG HEIGHT.**
- 6 REMOVE CAP IS RECOMMENDED AFTER WAVE SOLDER.**
- 7 MATERIALS:**
 HOUSING: HIGH TEMP THERMOPLASTIC, UL94V-0, BLACK, LCP.
 CONTACTS: COPPER ALLOY.
 SHIELD: STAINLESS STEEL.
- 8 STAND-OFF AREA.**

2007435-1(-4)
 SCALE 6:1



EMBOSS TAPE	WITHOUT POLYIMIDE TAPE	WITHOUT KINK AND WITH CAP	0.38 μm	△	2.00	2007435-7
EMBOSS TAPE	WITH POLYIMIDE TAPE	WITHOUT KINK AND WITHOUT CAP	0.38 μm	△	2.00	2007435-6
TRAY	WITHOUT POLYIMIDE TAPE	WITH KINK AND WITH CAP	0.38 μm	△	1.60	2007435-5
		WITH KINK AND WITHOUT CAP	0.76 μm	△	1.60	2007435-4
		WITHOUT KINK AND WITH CAP	0.38 μm	△	1.60	2007435-3
		WITHOUT KINK AND WITHOUT CAP	0.38 μm	△	2.40	2007435-2
PACKAGE		WITH KINK AND WITHOUT CAP	0.38 μm	△	1.60	2007435-1
REMARK		GOLD PLATING ON CONTACT AREA	MATERIAL	PCB THICKNESS	PART NO.	

THIS DRAWING IS A CONTROLLED DOCUMENT.

DMN: Francis Lee 31AUG2010
 CHK: Martin Li 31AUG2010
 APVD: Steven Yao 31AUG2010

NAME: STE TE Connectivity

PRODUCT SPEC: 108-60079

APPLICATION SPEC: -

SIZE: A1

WEIGHT: -

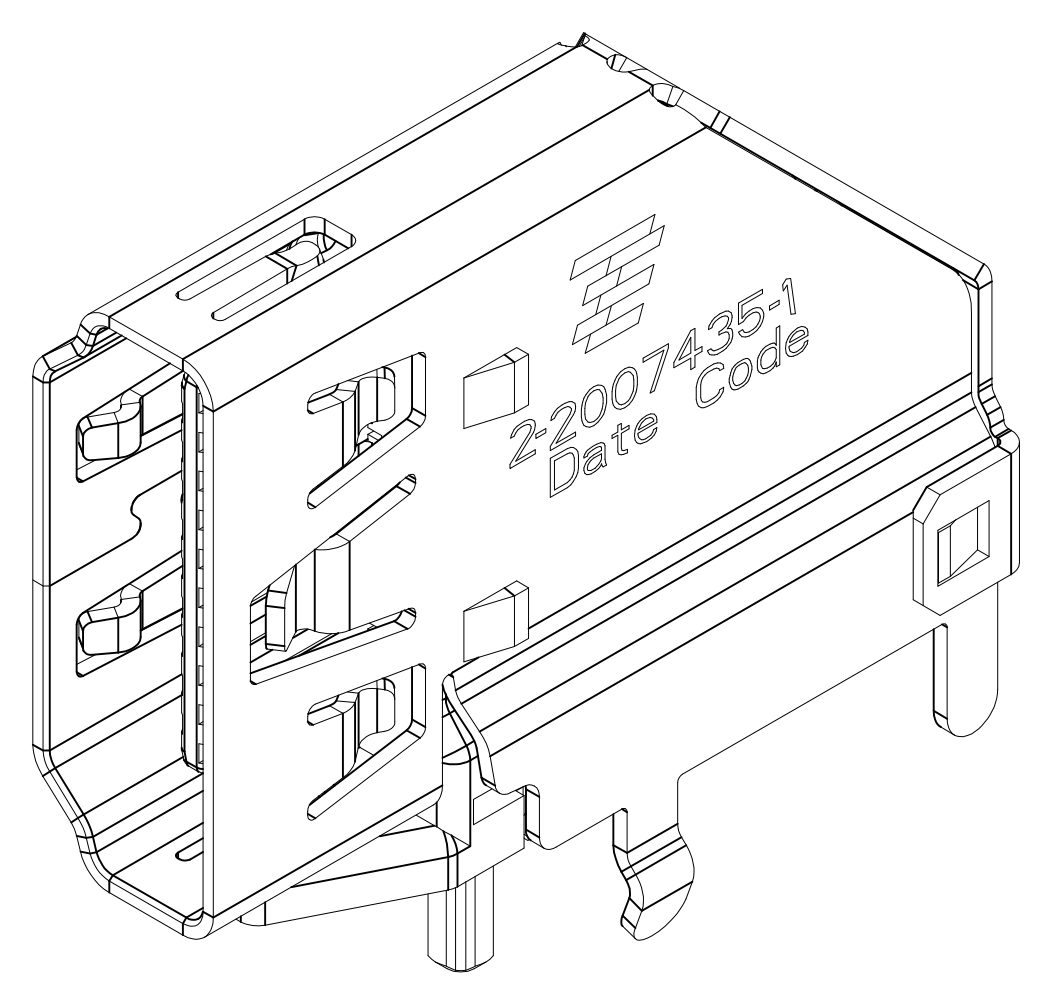
CUSTOMER DRAWING

SCALE: 8:1

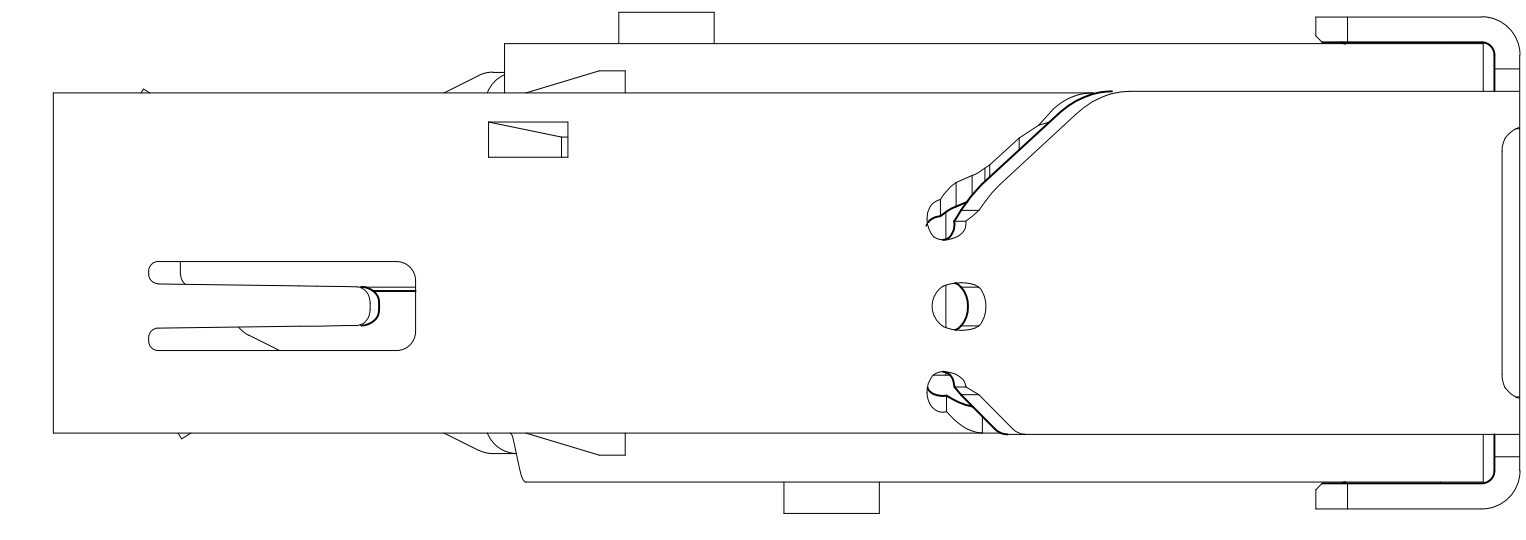
SHEET: 1 of 10

REV: D2

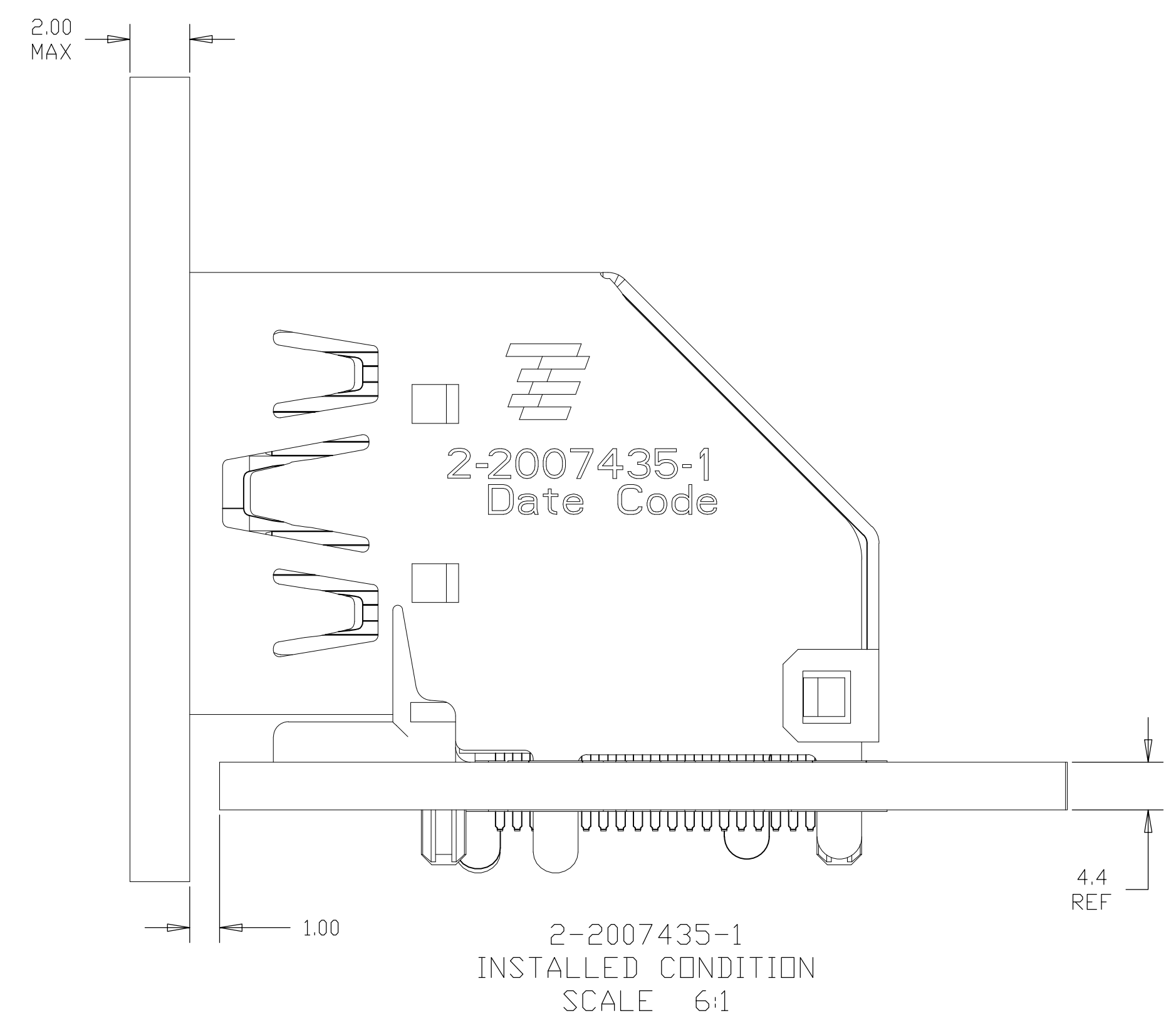
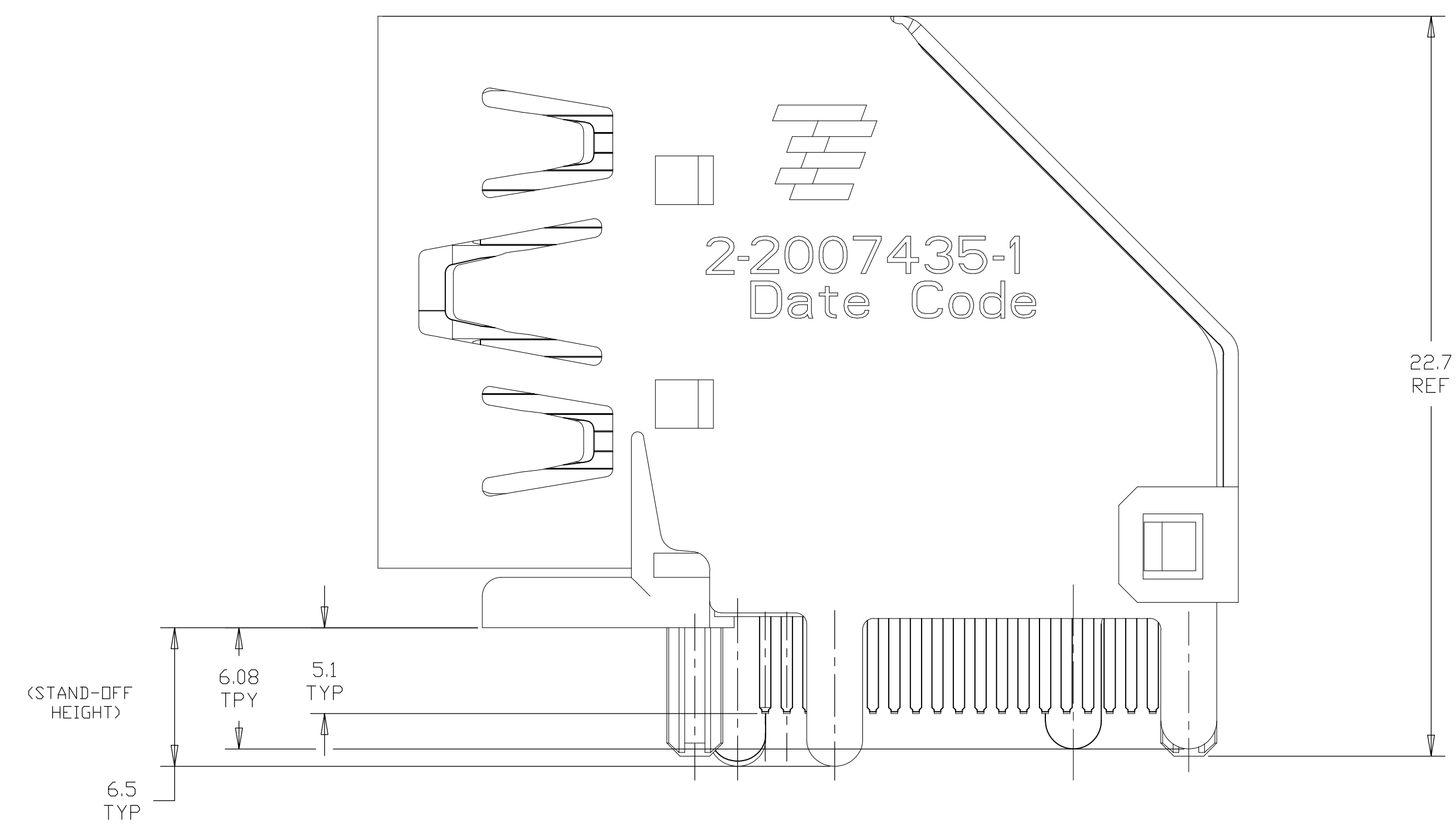
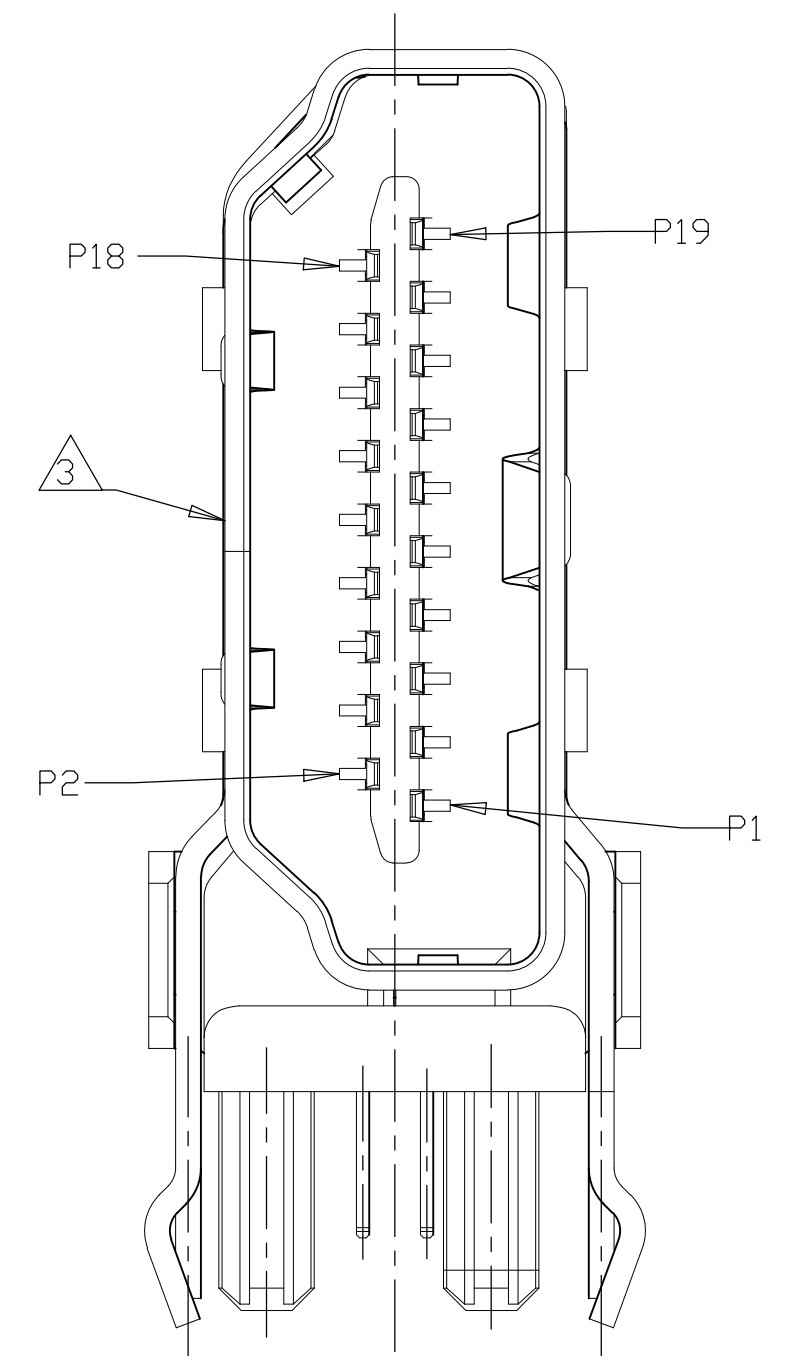
LOC		DIST		REVISIONS			
NO	DATE	BY	CHK	DESCRIPTION	DATE	OWN	APPD
-	-	-	-	SEE SHEET 1	-	-	-



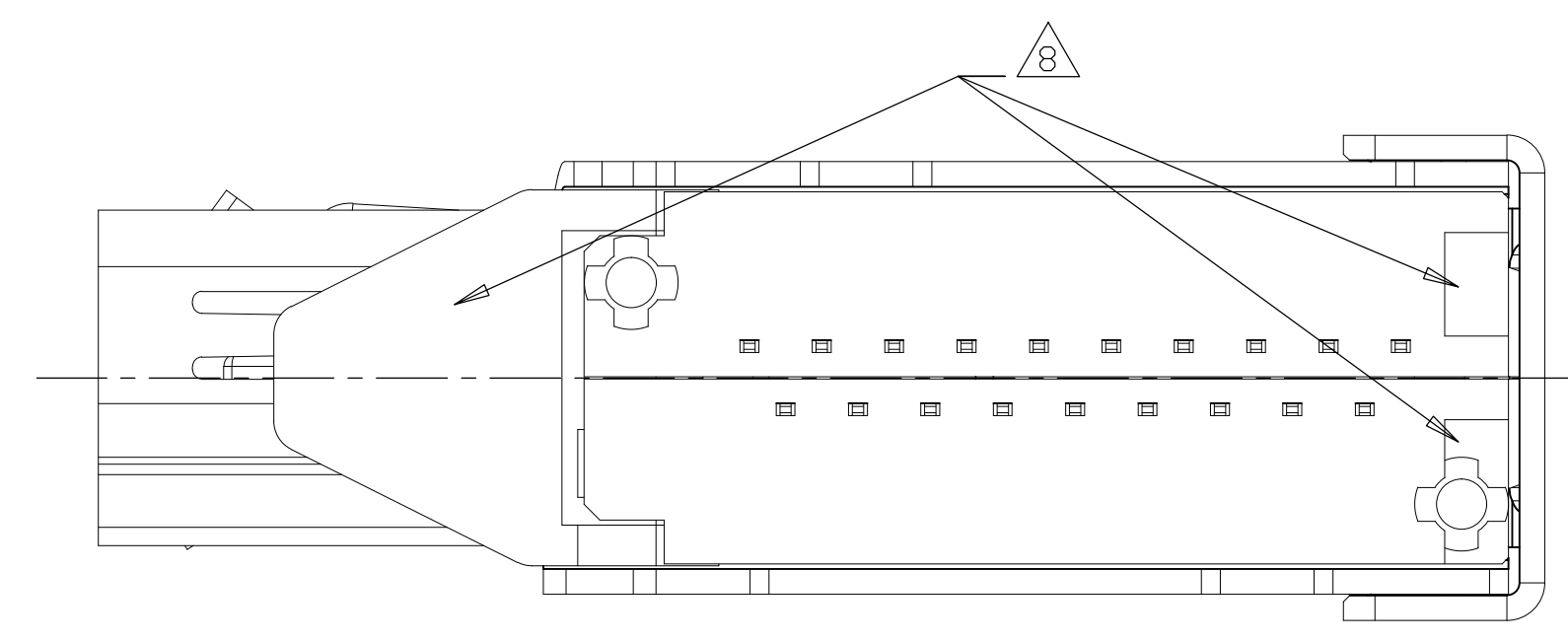
2-2007435-1 WITHOUT BOARD LOCK,
UNMARKED DIMENSIONS SAME AS 2007435-1
SCALE 6:1



- 1 MATERIALS:**
HOUSING: HIGH TEMP THERMOPLASTIC, UL94V-0, BLACK, PBT.
CONTACTS: COPPER ALLOY.
SHIELD: STAINLESS STEEL.
- 2 FINISH:**
CONTACTS:
MATING AREA: CONFORMS TO HDMI SPECIFICATION VERSION 1.3a
TABLE 4-6 AND 4-7 (ELECTRICAL AND ENVIRONMENTAL PERFORMANCE), BASED ON EIA/ECA - 364-1000.01A (CONTROLLED ENVIRONMENT APPLICATIONS).
SOLDER TAILS: TIN OVER NICKEL.
- 3 INTERFACE DIMENSIONS PER HDMI SPECIFICATION VERSION 1.3a.**
- 4 WAVE SOLDER COMPATIBLE PER 109-202. CONDITION B. NO CLEAN FLUX IS RECOMMENDED.**
- 5 THIS DIMENSION HAS AN ADDITIONAL 1.0 CLEARANCE OVER HDMI V1.3a SPECIFICATION MAXIMUM CABLE TYPE A PLUG HEIGHT.**
- 6 REMOVE CAP IS RECOMMENDED AFTER WAVE SOLDER.**
- 7 MATERIALS:**
HOUSING: HIGH TEMP THERMOPLASTIC, UL94V-0, BLACK, LCP.
CONTACTS: COPPER ALLOY.
SHIELD: STAINLESS STEEL.
- 8 STAND-OFF AREA.**

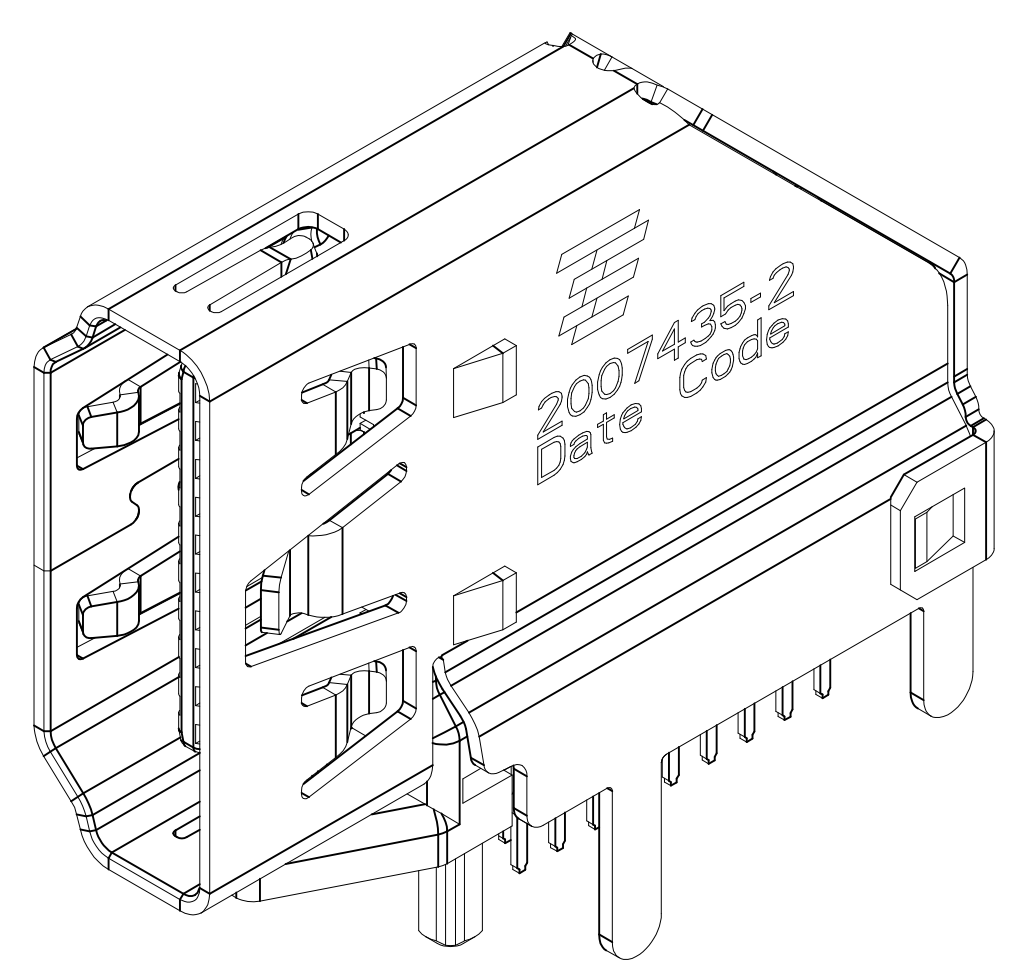


DESIGN APPROVED THIS PRINT IS
PRELIMINARY
TO FIRST PIECE APPROVAL
CONTACT PRODUCT ENGINEERING
BEFORE USING THIS PRINT

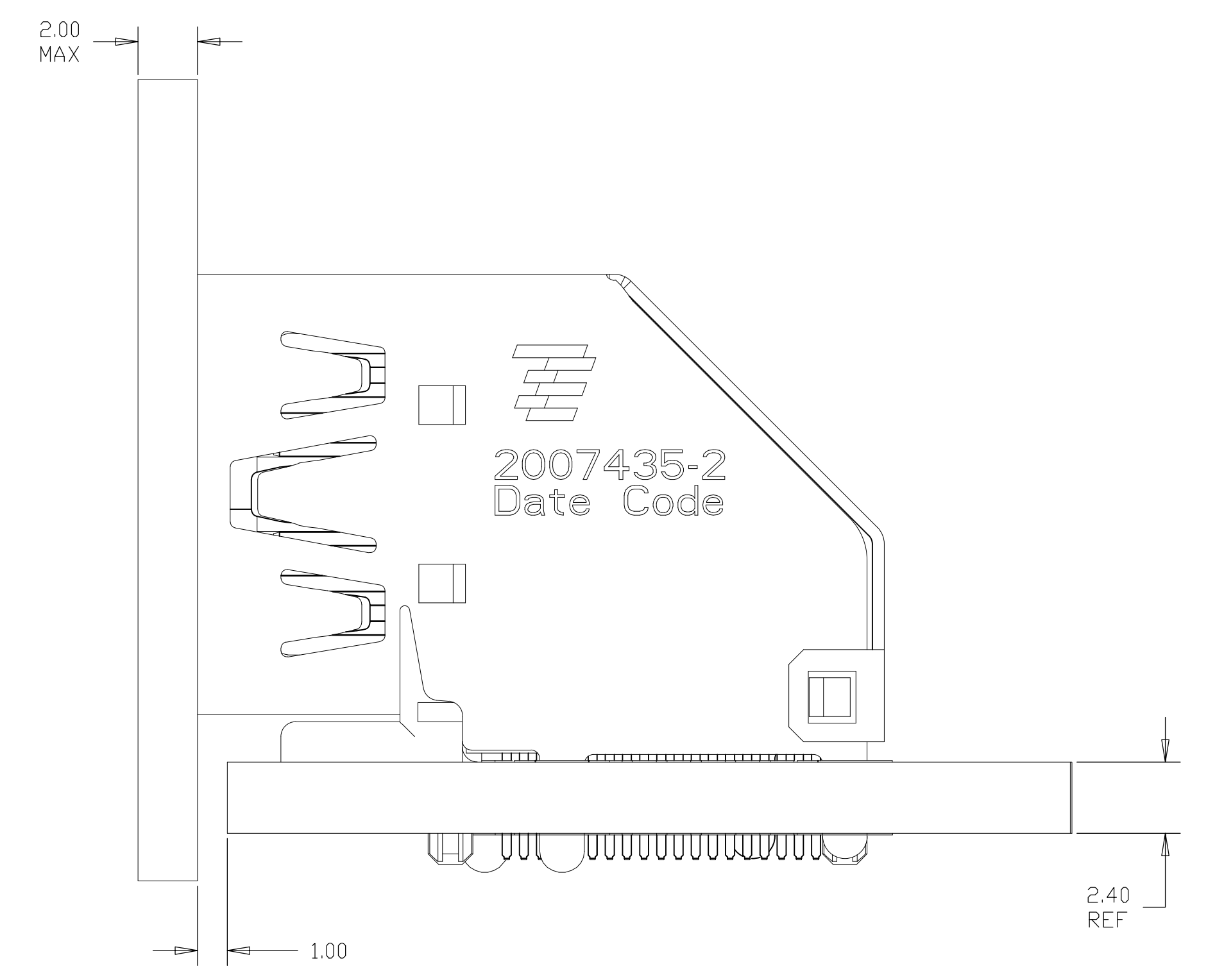
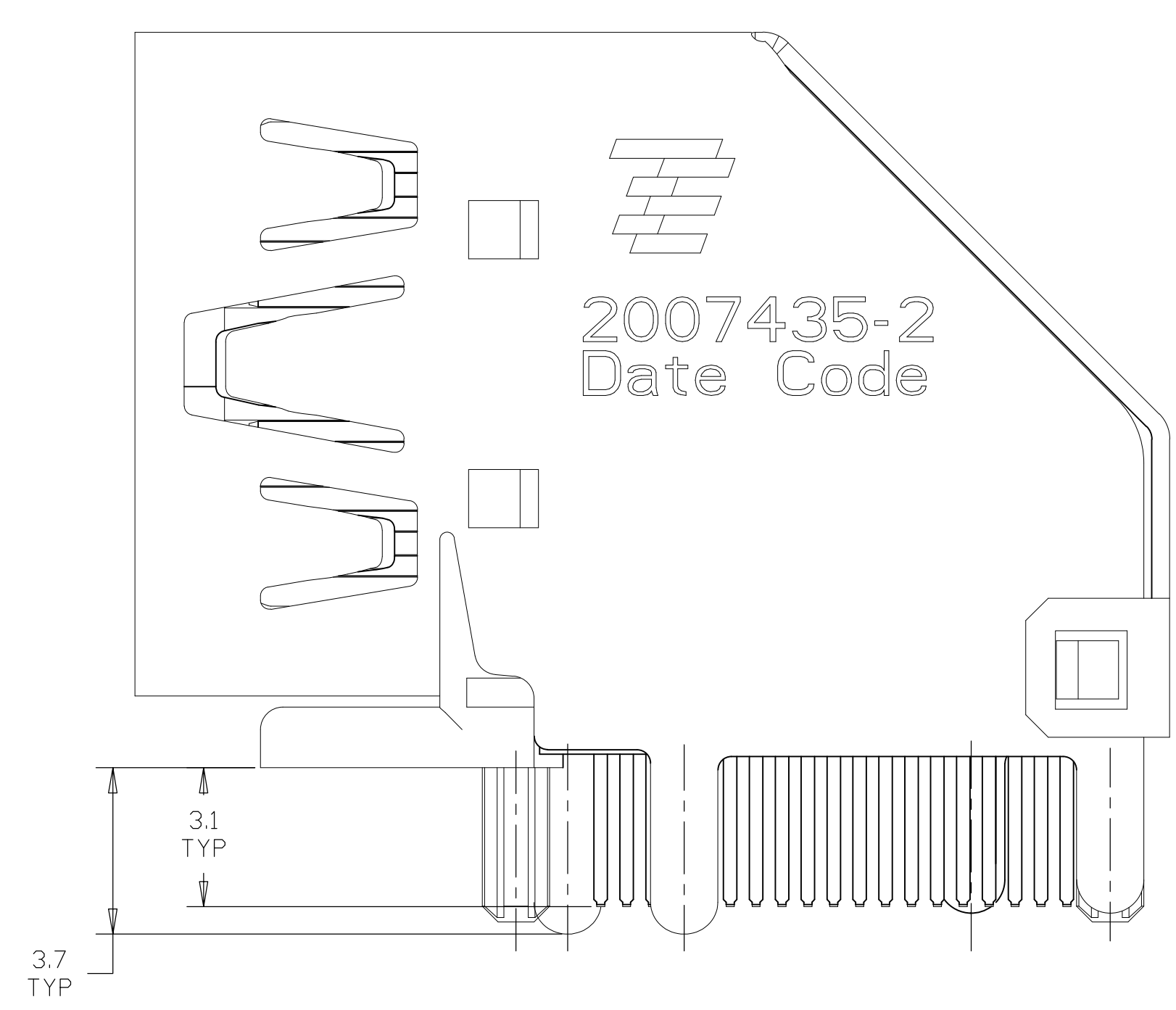
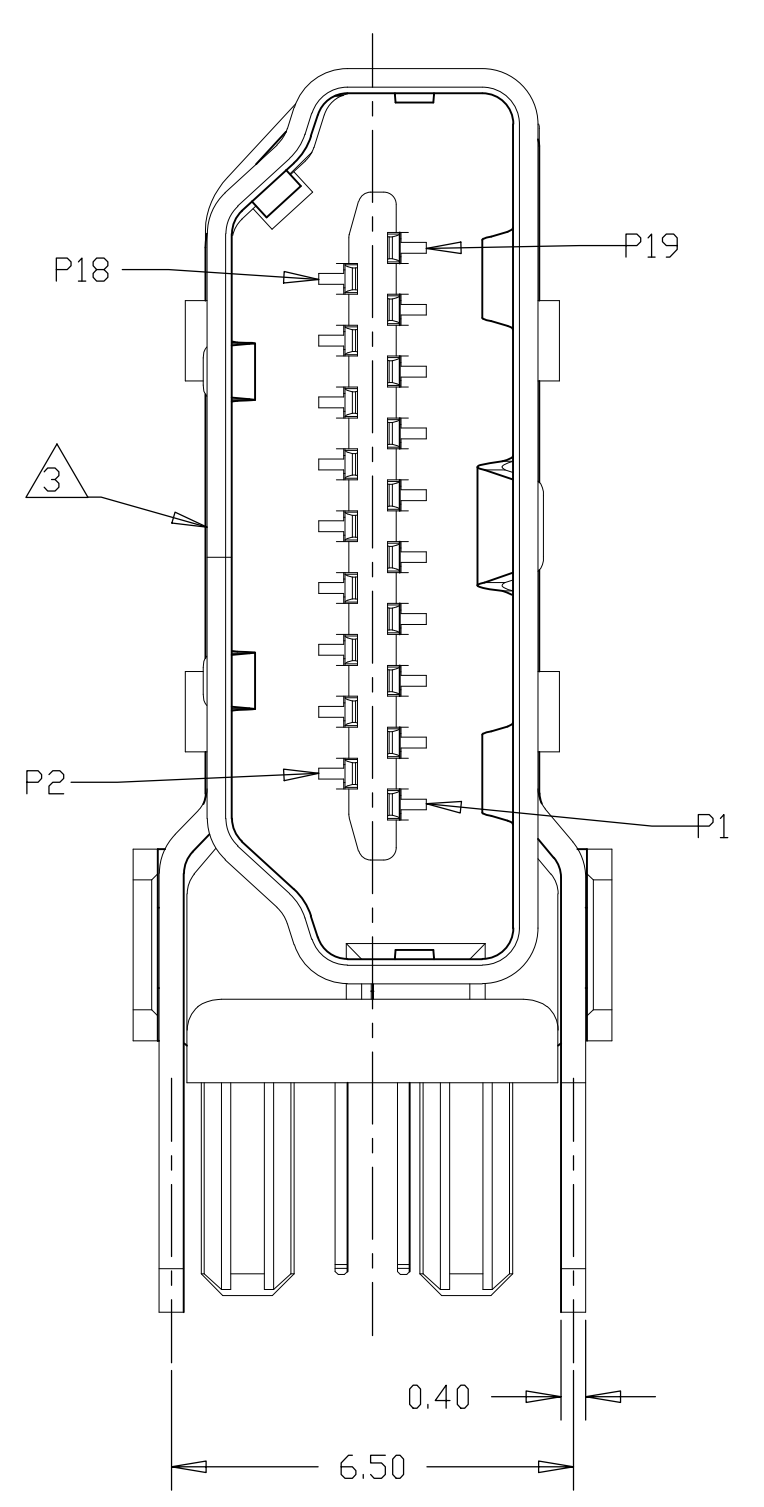
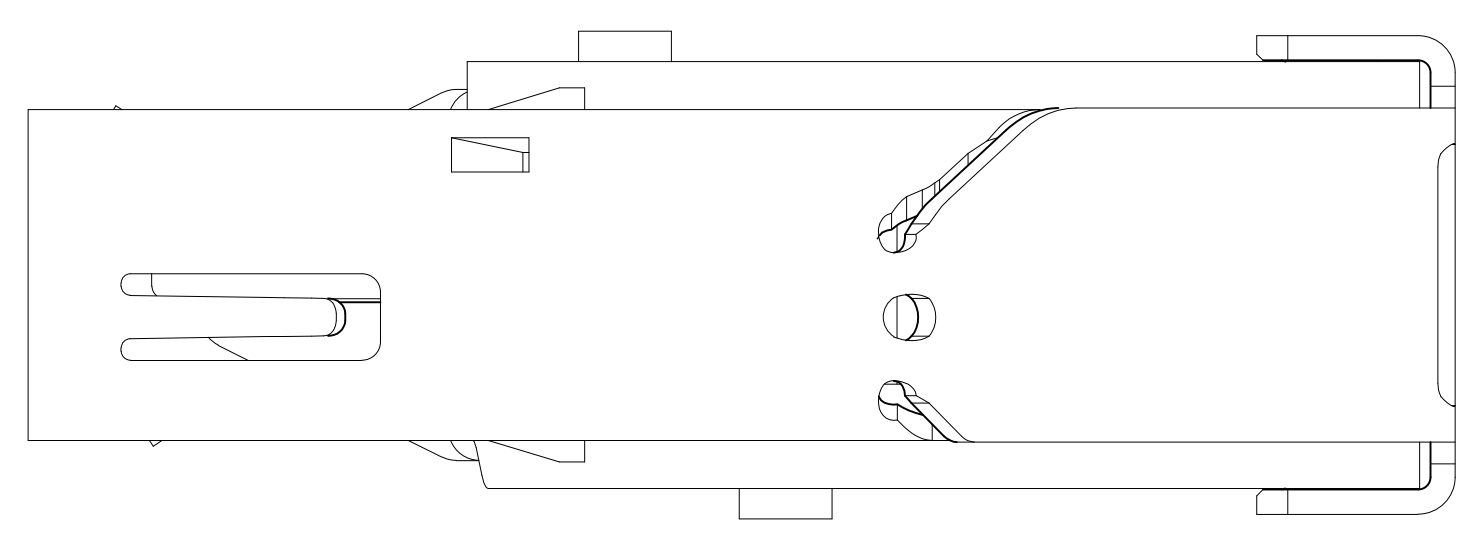


TRAY	WITHOUT POLYIMIDE TAPE	WITH KINK AND WITHOUT CAP	0.38 μ m	1	4.40	2-2007435-1
PACKAGE	REMARK		GOLD PLATING ON CONTACT AREA	MATERIAL	PCB THICKNESS	PART NO.
THIS DRAWING IS A CONTROLLED DOCUMENT.			DWN Francis Lee 31AUG2010	TE Connectivity HDMI FLAG CONNECTOR ASSEMBLY		
DIMENSIONS: mm			CHK Martin Li 31AUG2010			
TOLERANCES UNLESS OTHERWISE SPECIFIED:			APPD Steven Yao 31AUG2010	NAME		
0 PLC \pm -			PRODUCT SPEC			
1 PLC \pm 0.3			108-60079			
2 PLC \pm 0.25			APPLICATION SPEC			
3 PLC \pm 0.100			SIZE CAGE CODE DRAWING NO RESTRICTED TO			
4 PLC \pm 0.1000			A1 00779 2007435			
ANGLES \pm 5			MATERIAL SEE TABLE FINISH 2 WEIGHT - -			
			CUSTOMER DRAWING SCALE 8:1 SHEET 2 OF 10 REV D2			

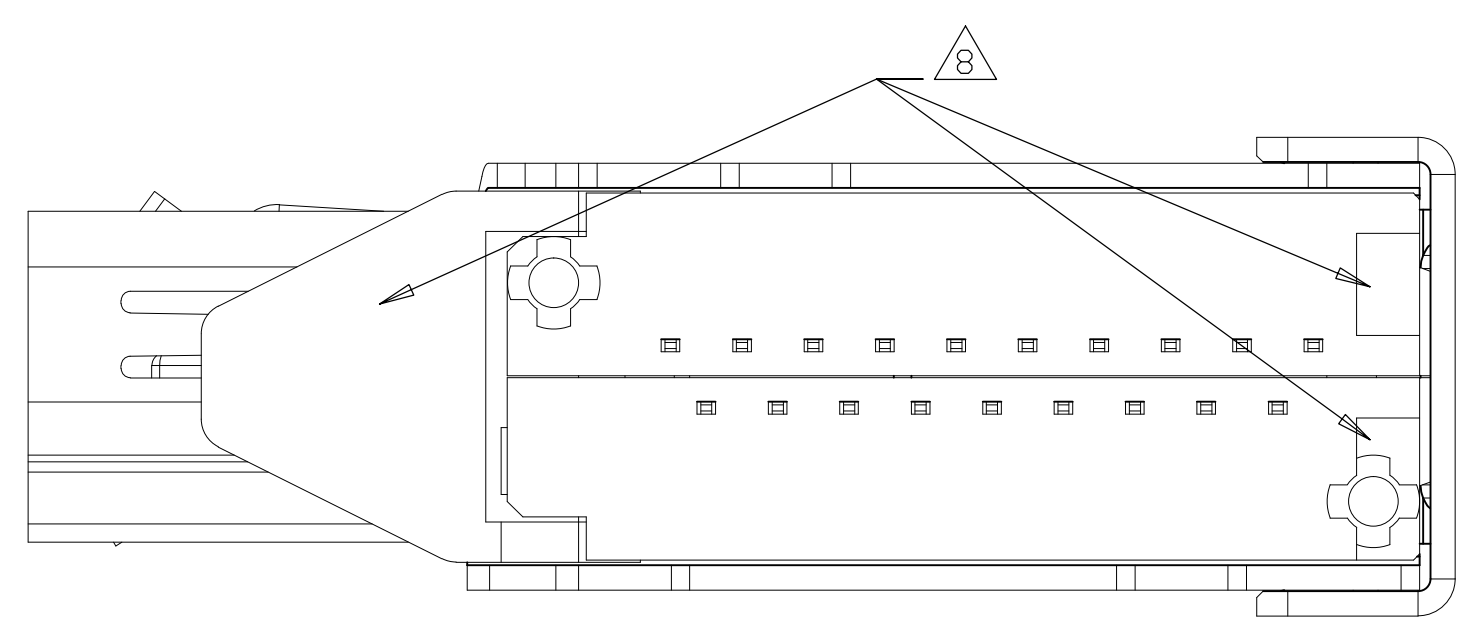
LOC		DIST		REVISIONS			
P	LTR	DESCRIPTION	DATE	DN	APVD		
-	-	SEE SHEET 1	-	-	-	-	-



2007435-2 WITHOUT BOARD LOCK,
 UNMARKED DIMENSIONS SAME AS 2007435-1
 SCALE 6:1

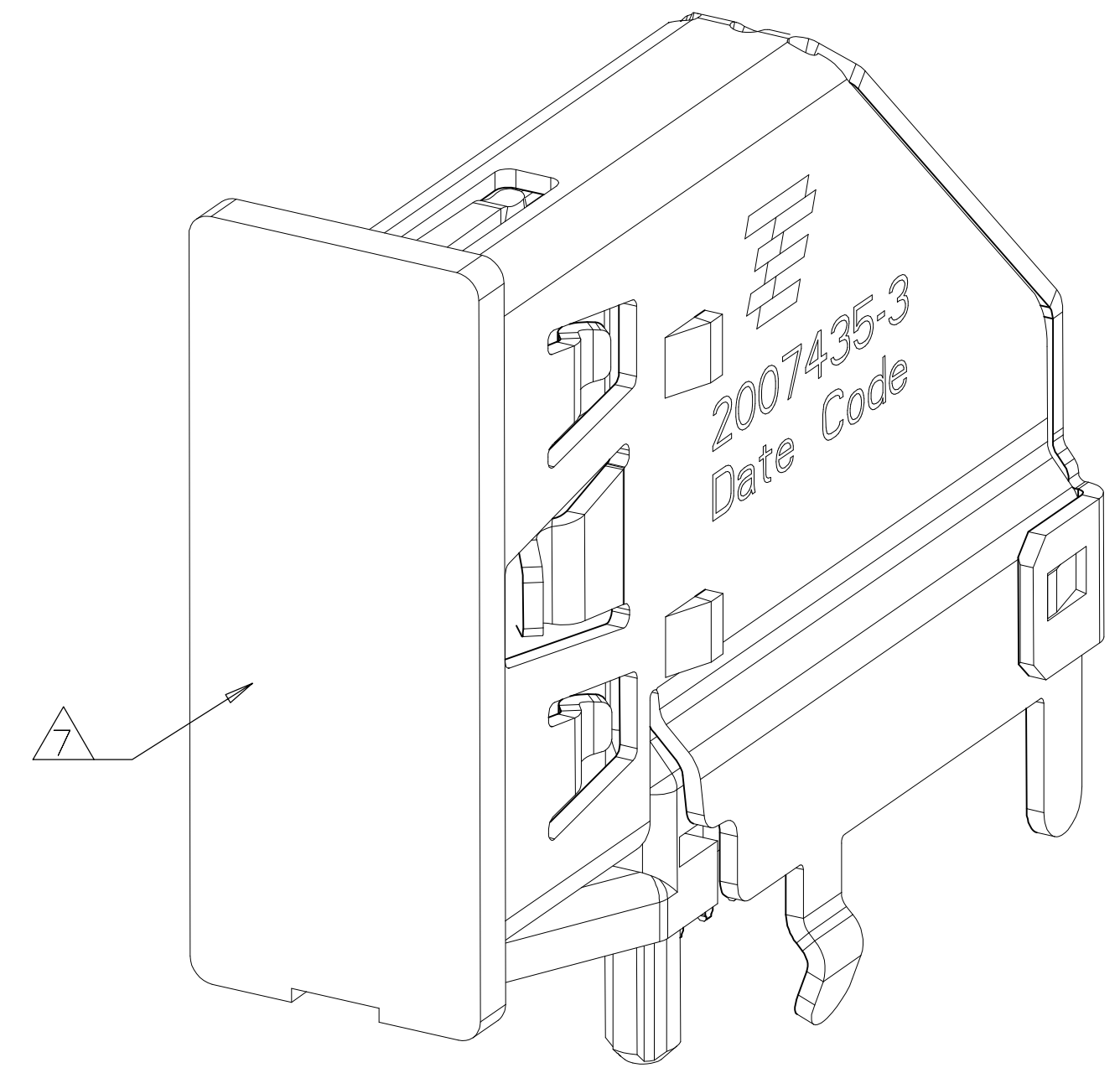


2007435-2
 INSTALLED CONDITION
 SCALE 6:1

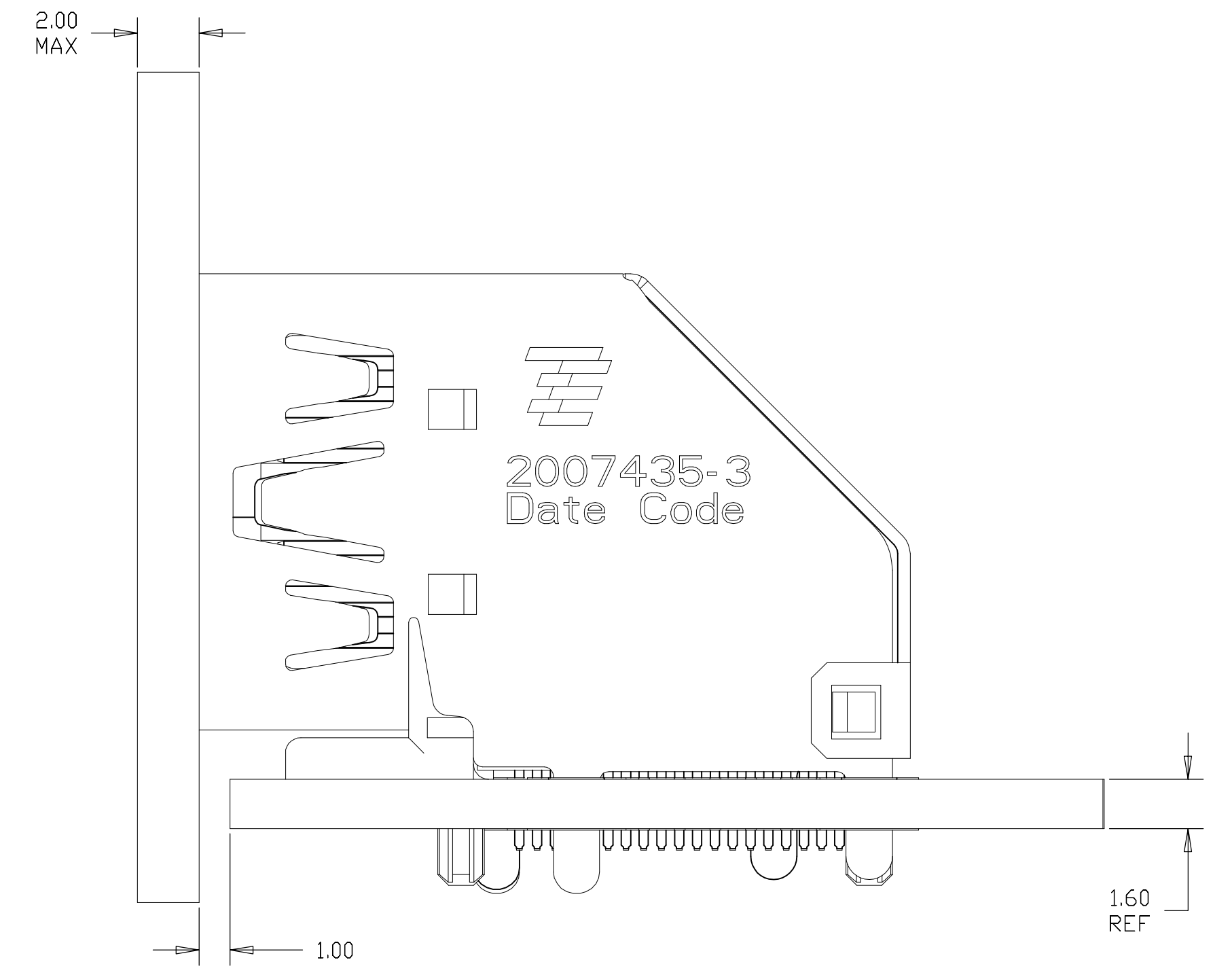
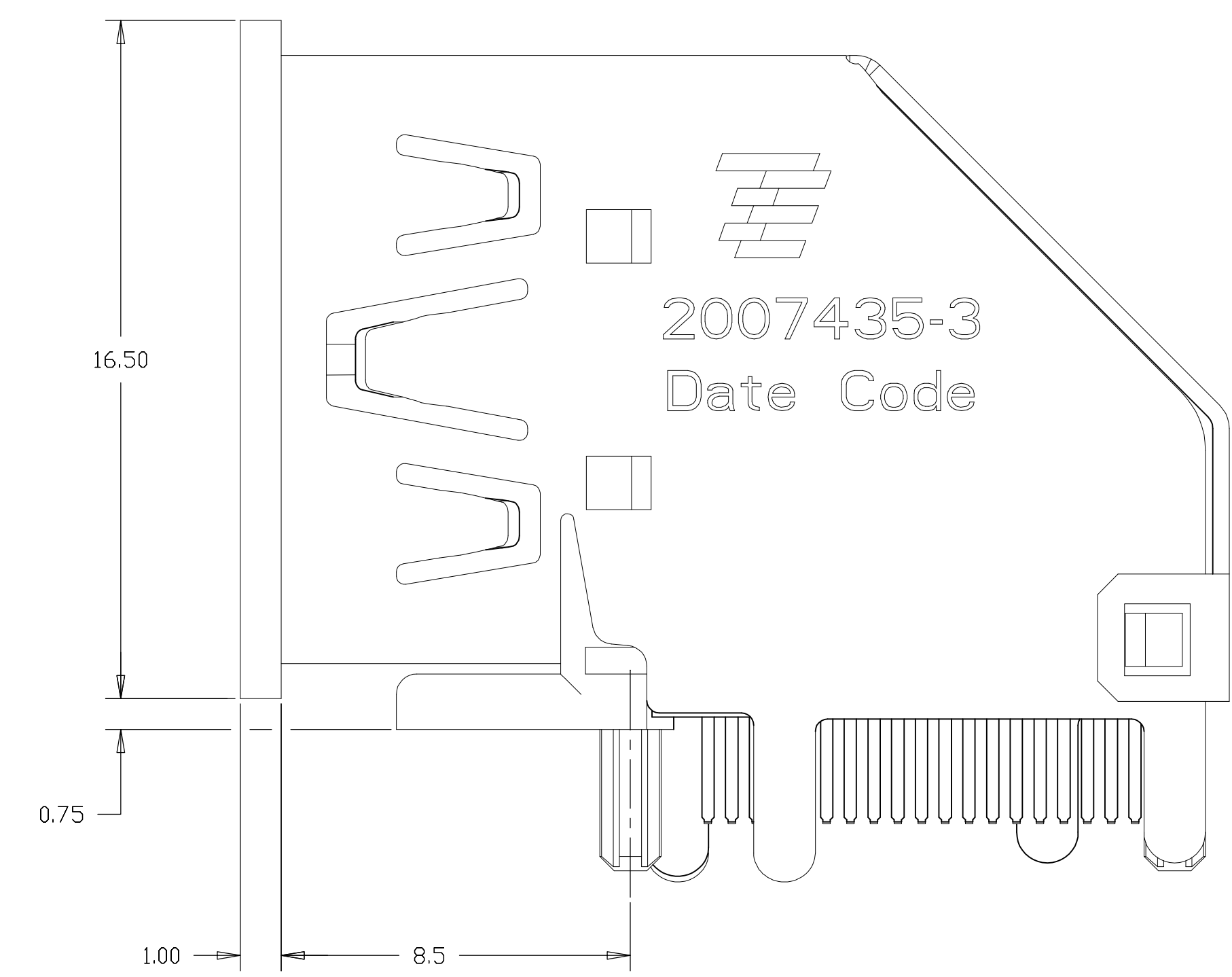
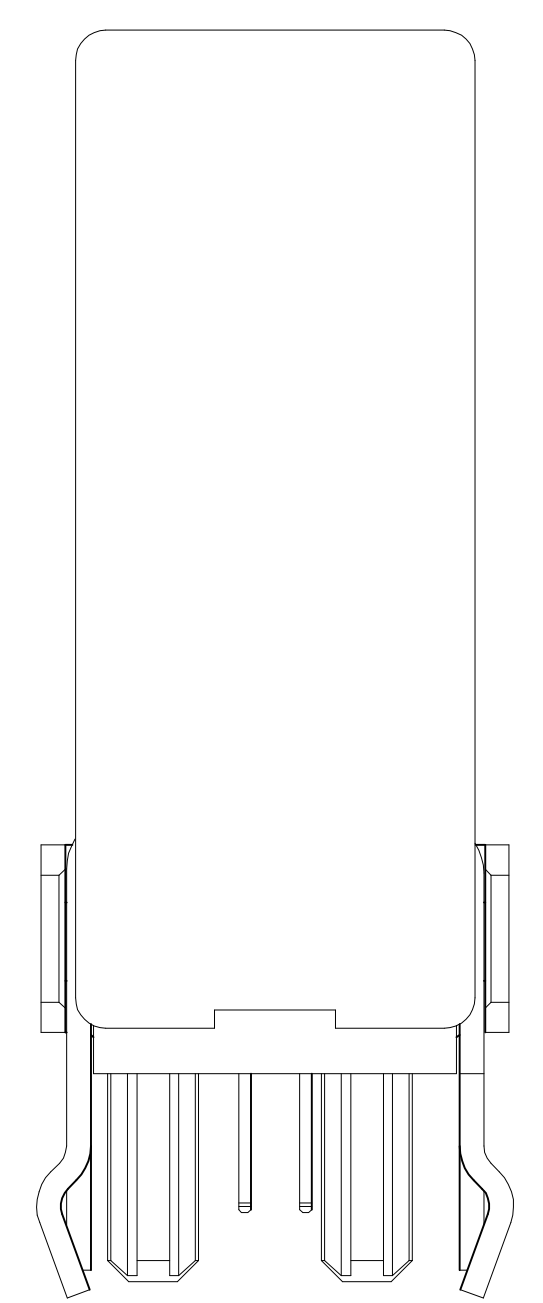
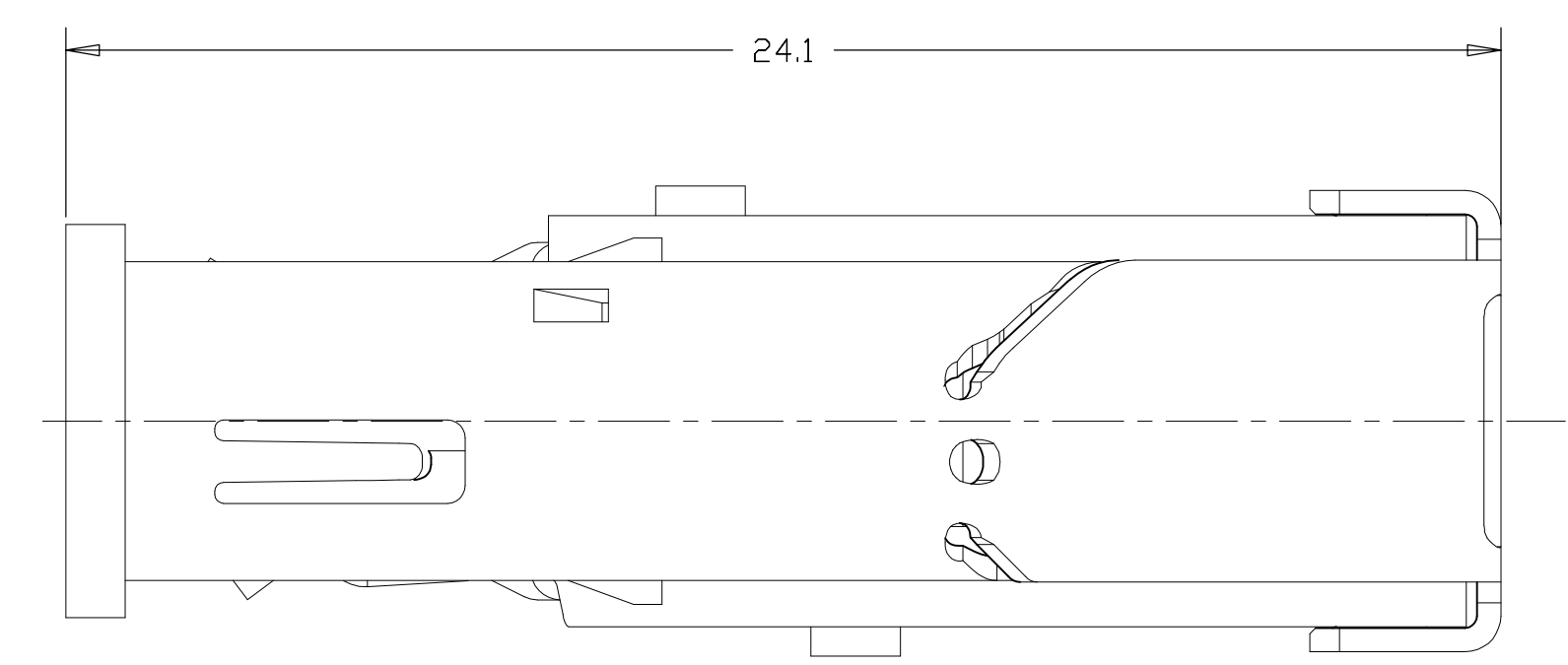


THIS DRAWING IS A CONTROLLED DOCUMENT.		DIN		STC		TE Connectivity	
DIMENSIONS: mm		TOLERANCES UNLESS OTHERWISE SPECIFIED:		NAME		HDMI FLAG CONNECTOR ASSEMBLY	
<ul style="list-style-type: none"> 0. PLC ± - 1. PLC ± 0.3 2. PLC ± 0.25 3. PLC ± 0.100 4. PLC ± 0.1000 ANGLES ± - 		<ul style="list-style-type: none"> APVD PRODUCT SPEC APPLICATION SPEC 		SIZE		RESTRICTED TO	
MATERIAL SEE TABLE		FINISH		WEIGHT		A1 00779 C=2007435	
		CUSTOMER DRAWING		SCALE 8:1		SHEET 3 OF 10 REV D2	

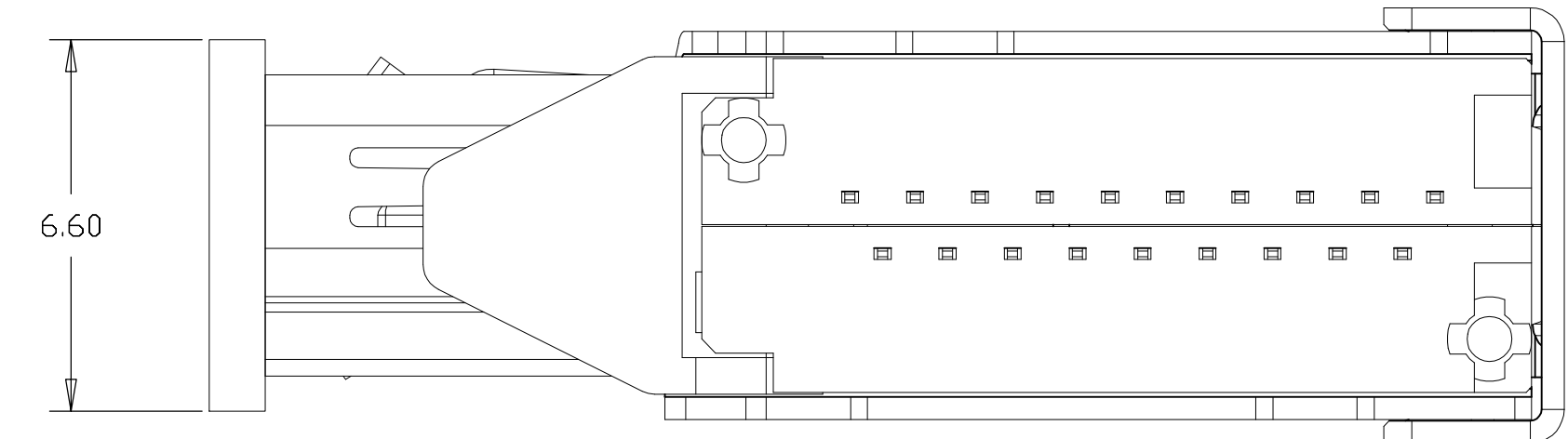
LOC		DIST		REVISIONS			
P	LTR	DESCRIPTION	DATE	DN	APVD		
-	-	SEE SHEET 1	-	-	-	-	-



2007435-3(-5) WITH CAP, UNMARKED
 DIMENSIONS SAME AS 2007435-1
 SCALE 6:1

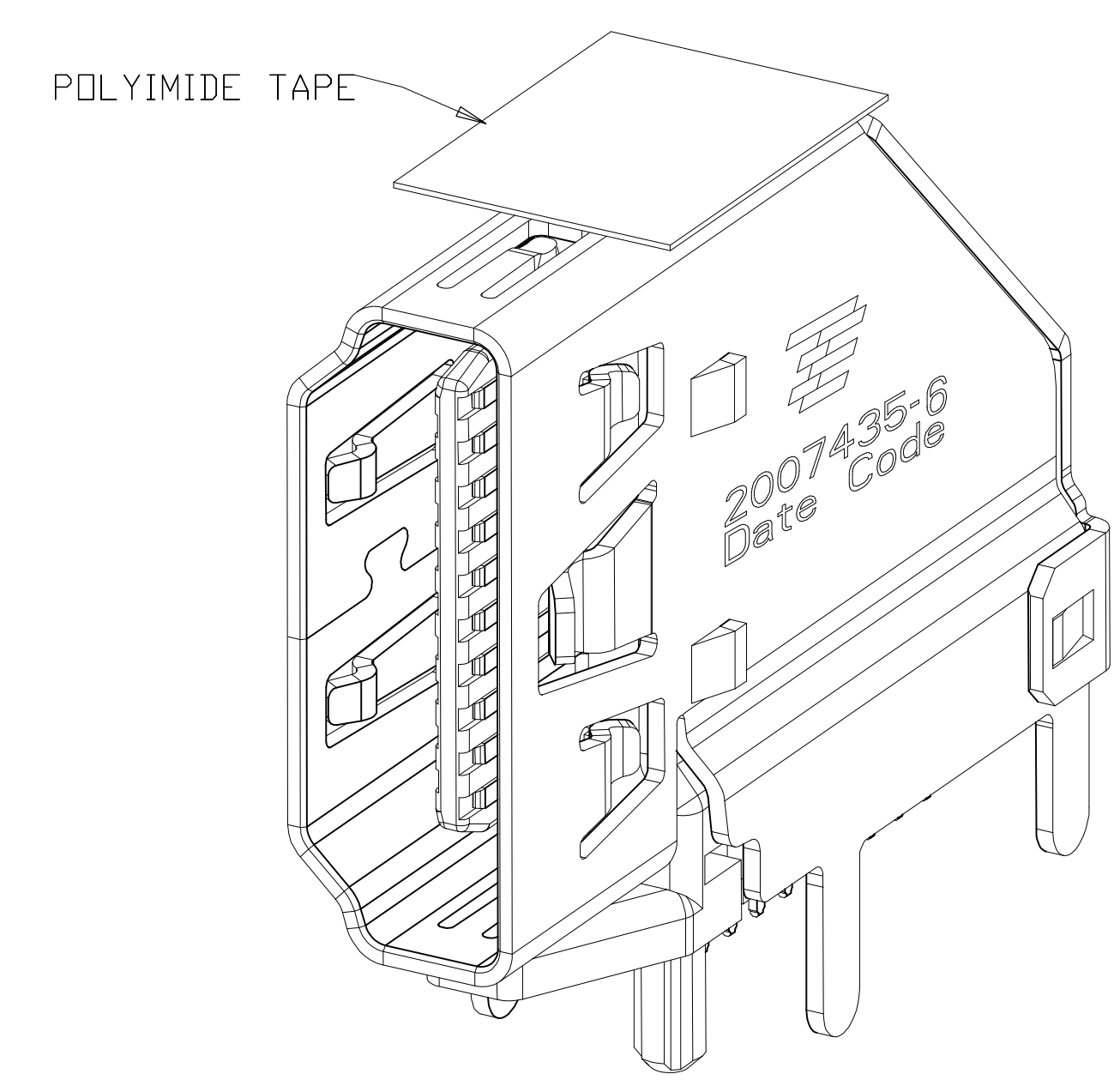
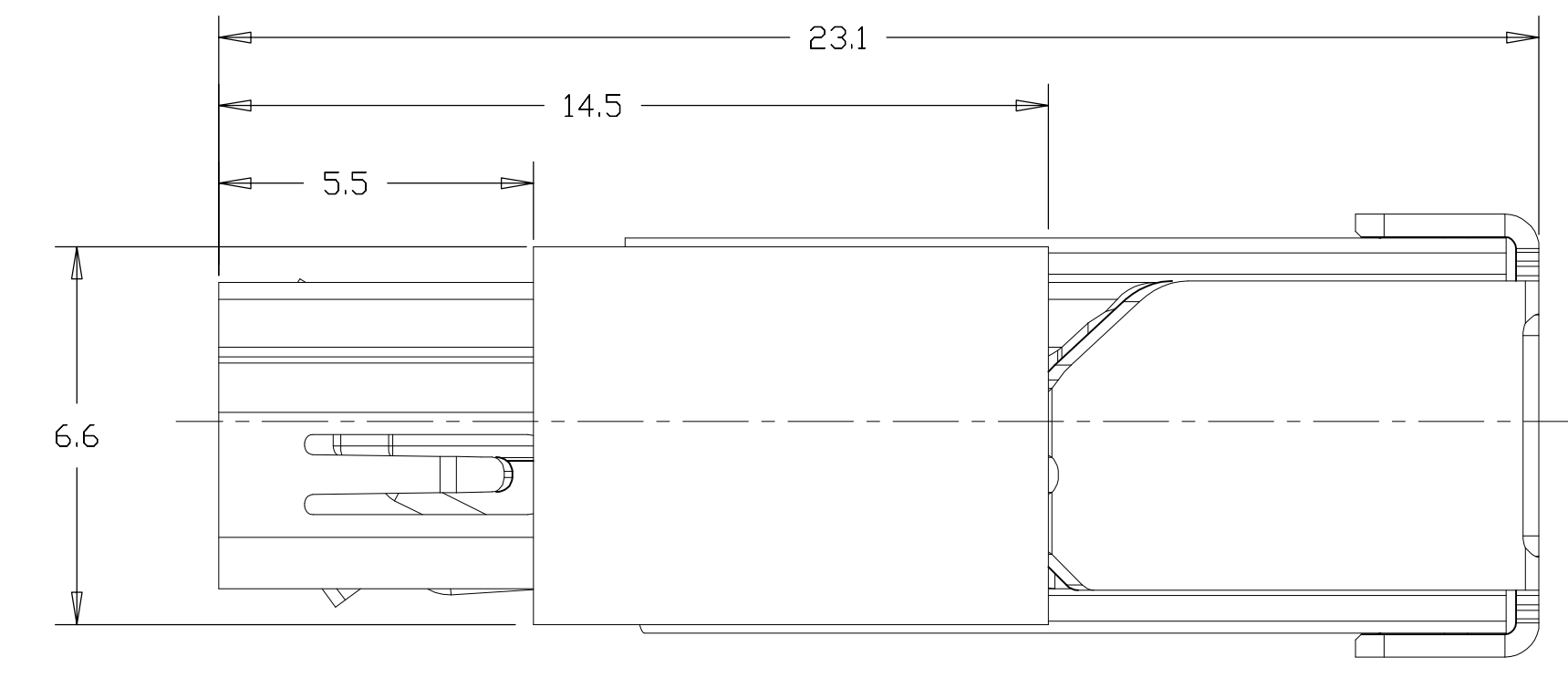


2007435-3(-5)
 INSTALLED CONDITION
 (ONLY FOR AFTER REMOVE CAP)
 SCALE 6:1

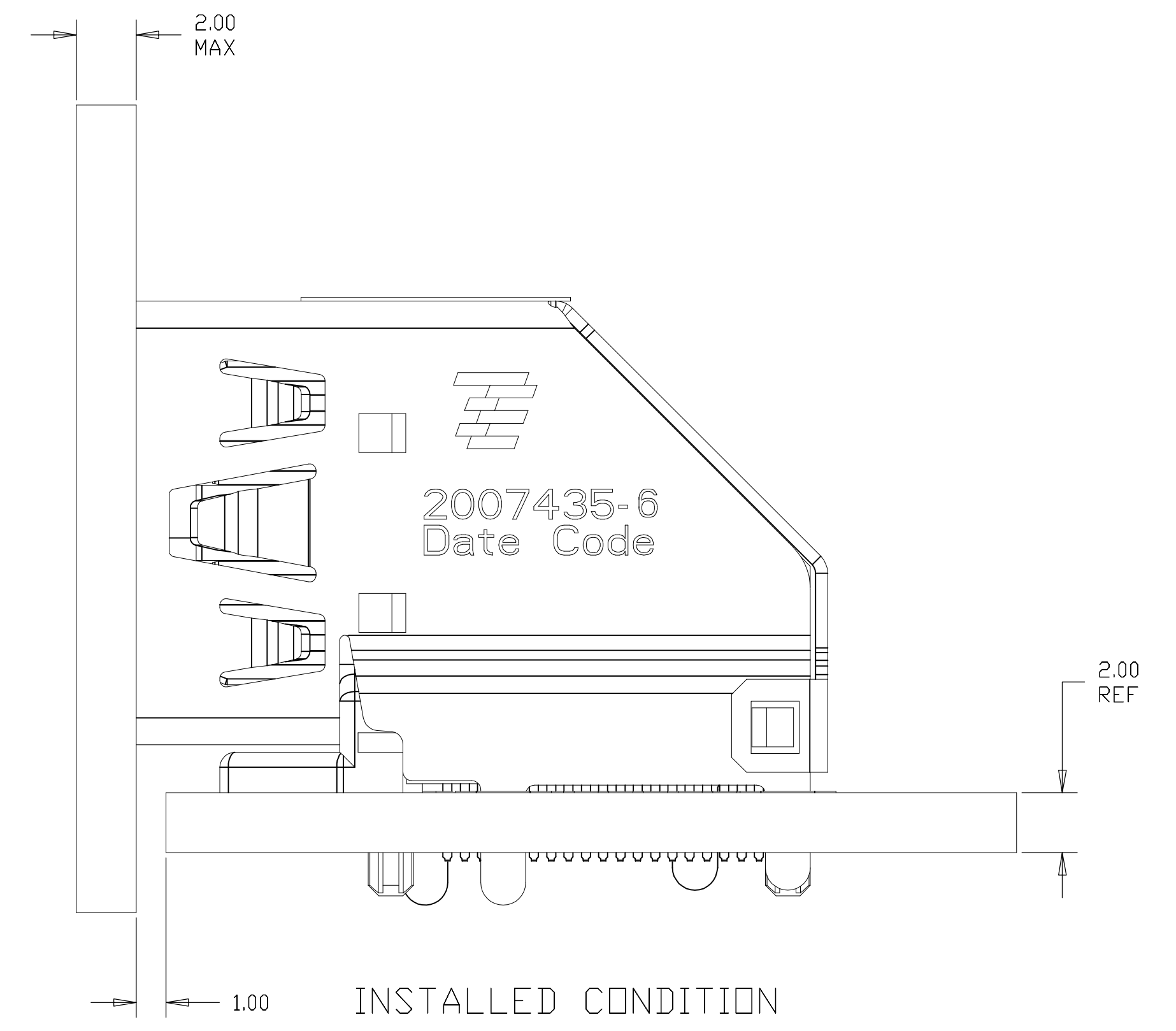
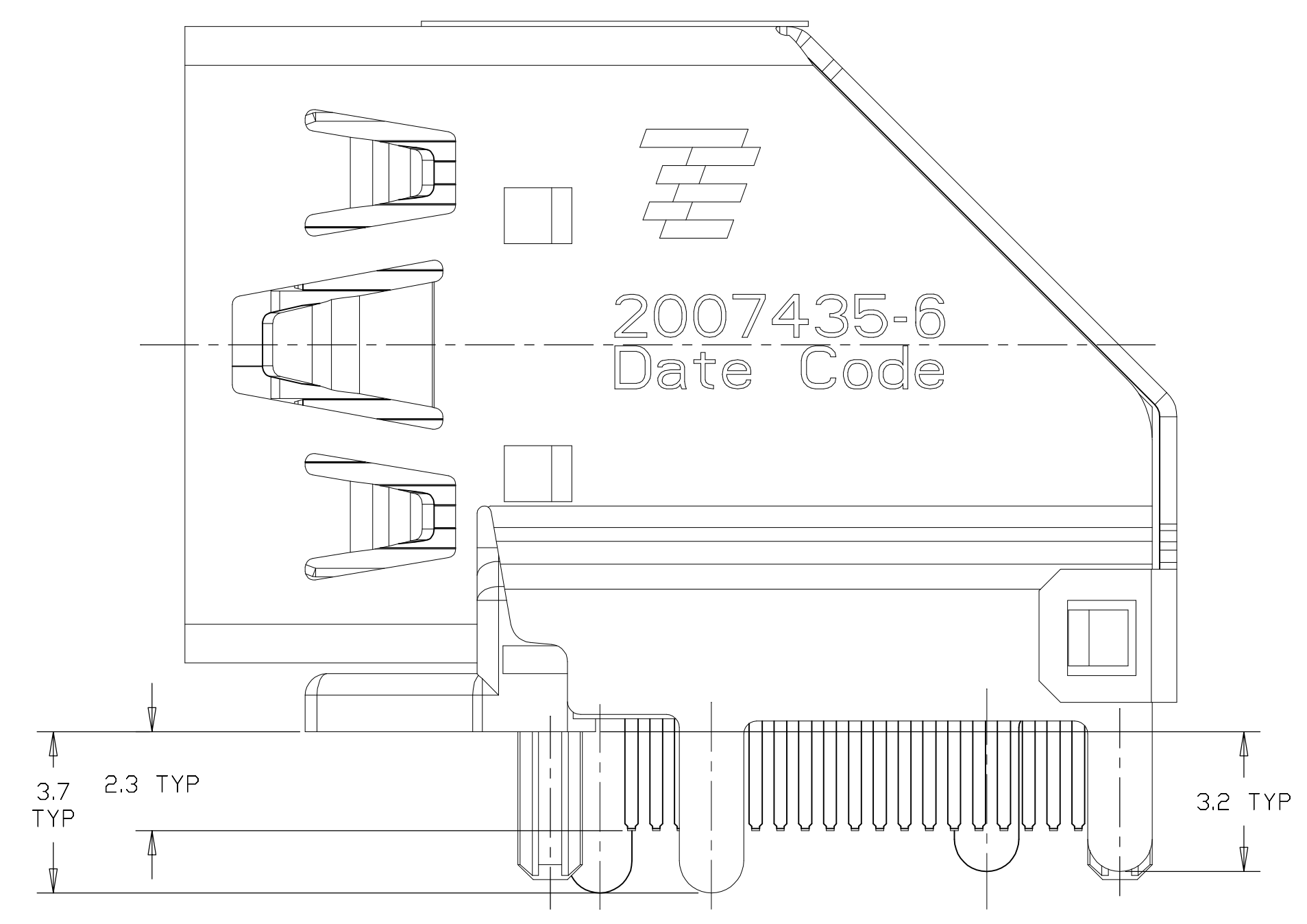
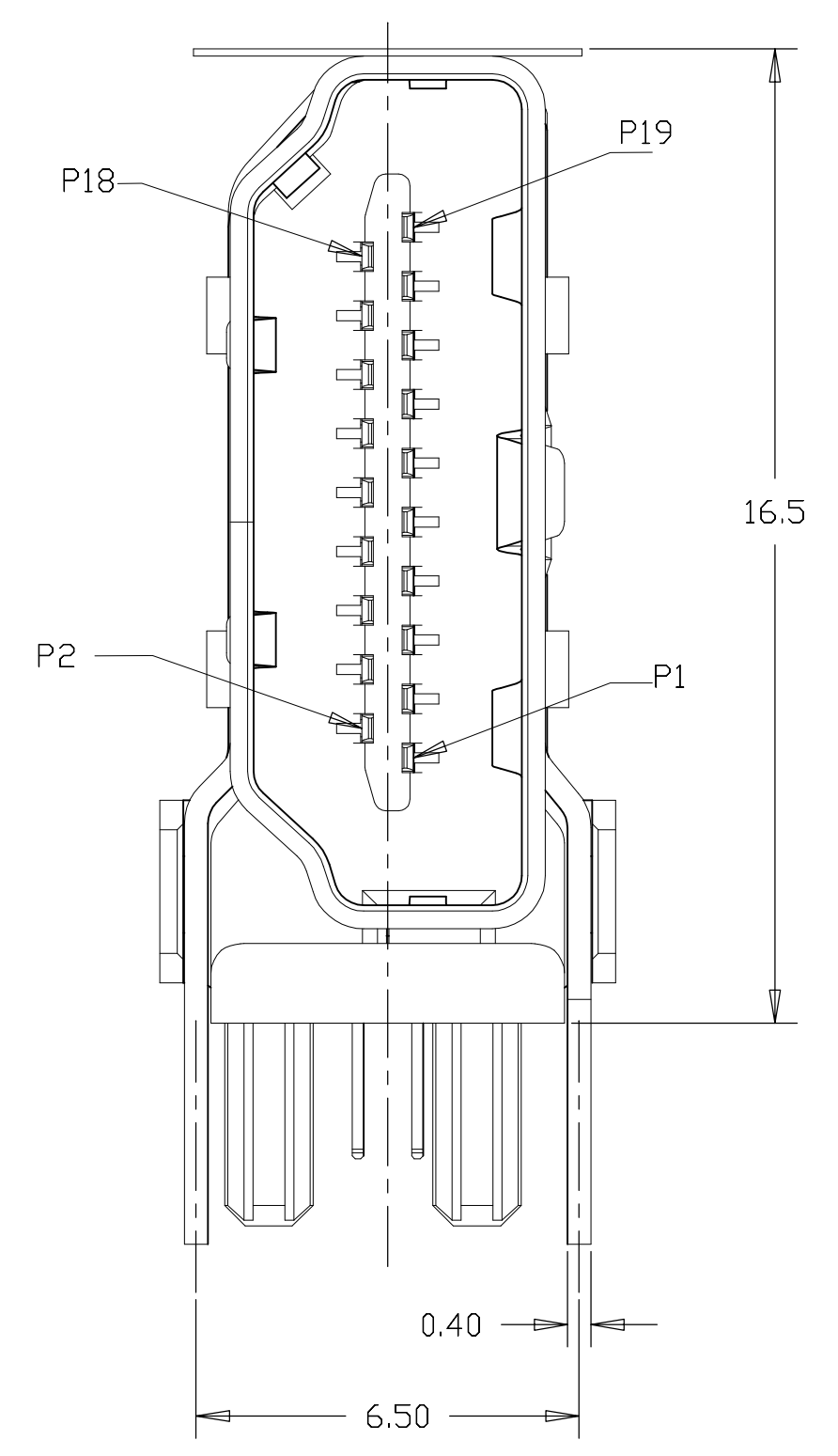


THIS DRAWING IS A CONTROLLED DOCUMENT.		DIN		TE Connectivity	
DIMENSIONS: mm		CHK			
TOLERANCES UNLESS OTHERWISE SPECIFIED: 0. PLC ± 0.3 1. PLC ± 0.25 2. PLC ± 0.10 3. PLC ± 0.10 4. PLC ± 0.10 ANGLES ± -		APVD		NAME	
		PRODUCT SPEC		HDMI FLAG CONNECTOR ASSEMBLY	
MATERIAL SEE TABLE		APPLICATION SPEC		RESTRICTED TO	
FINISH		WEIGHT		SIZE CAGE CODE DRAWING NO	
		CUSTOMER DRAWING		A1 00779 C=2007435	
		SCALE 8:1		SHEET 4 OF 10 REV D2	

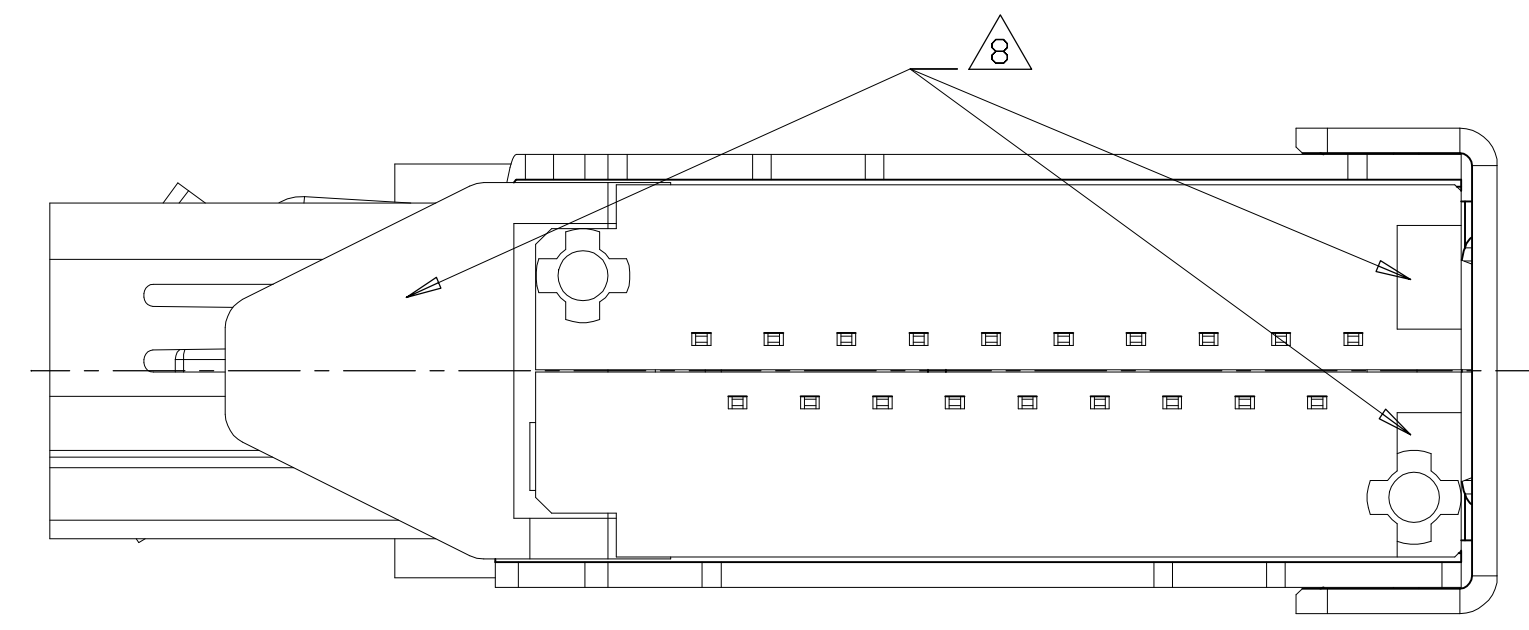
LOC		DIST		REVISIONS			
P	LTR	DESCRIPTION	DATE	DNW	APVD		
-	-	SEE SHEET 1	-	-	-		



2007435-6 WITH POLYIMIDE TAPE,
UNMARKED DIMENSIONS SAME AS 2007435-1
SCALE 6:1

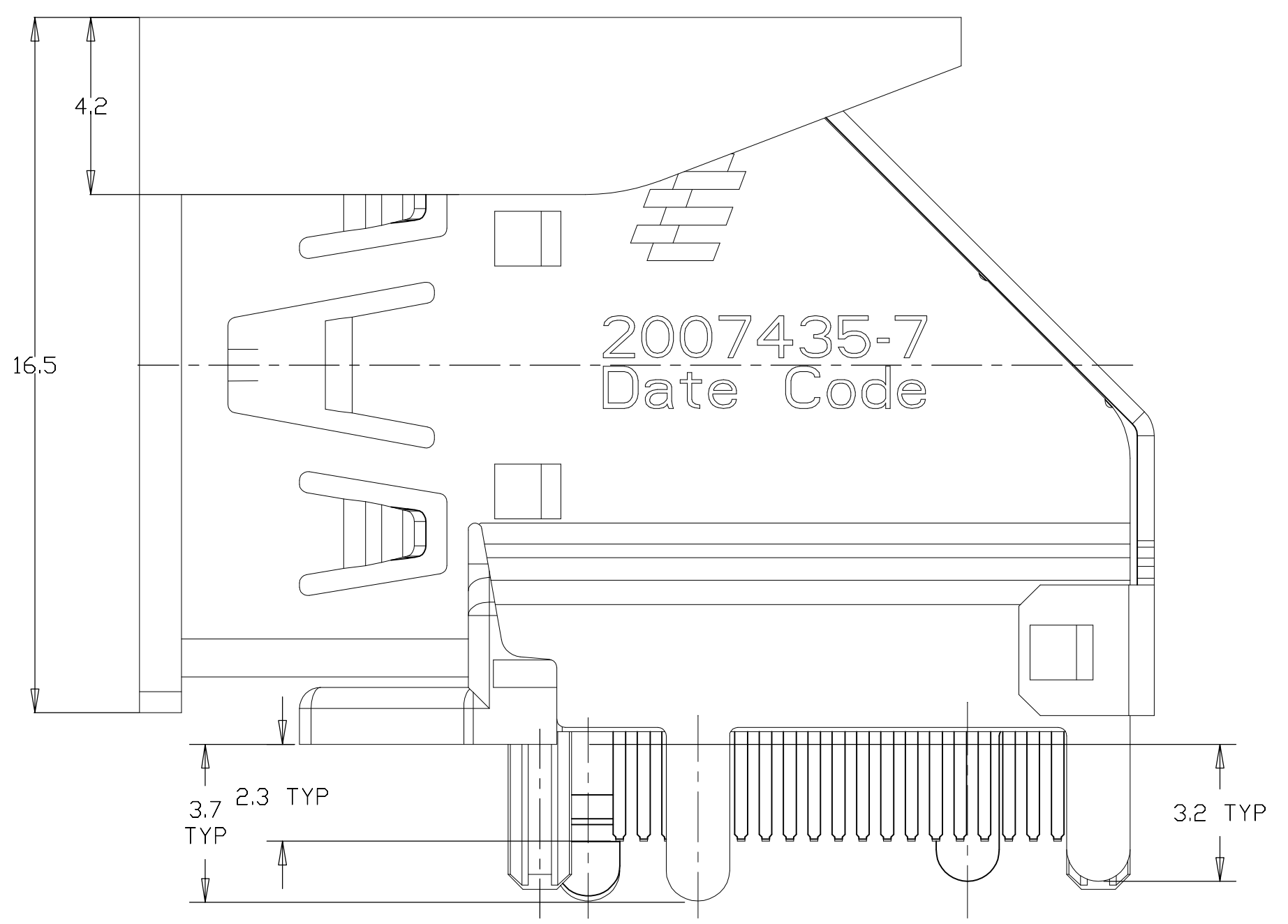
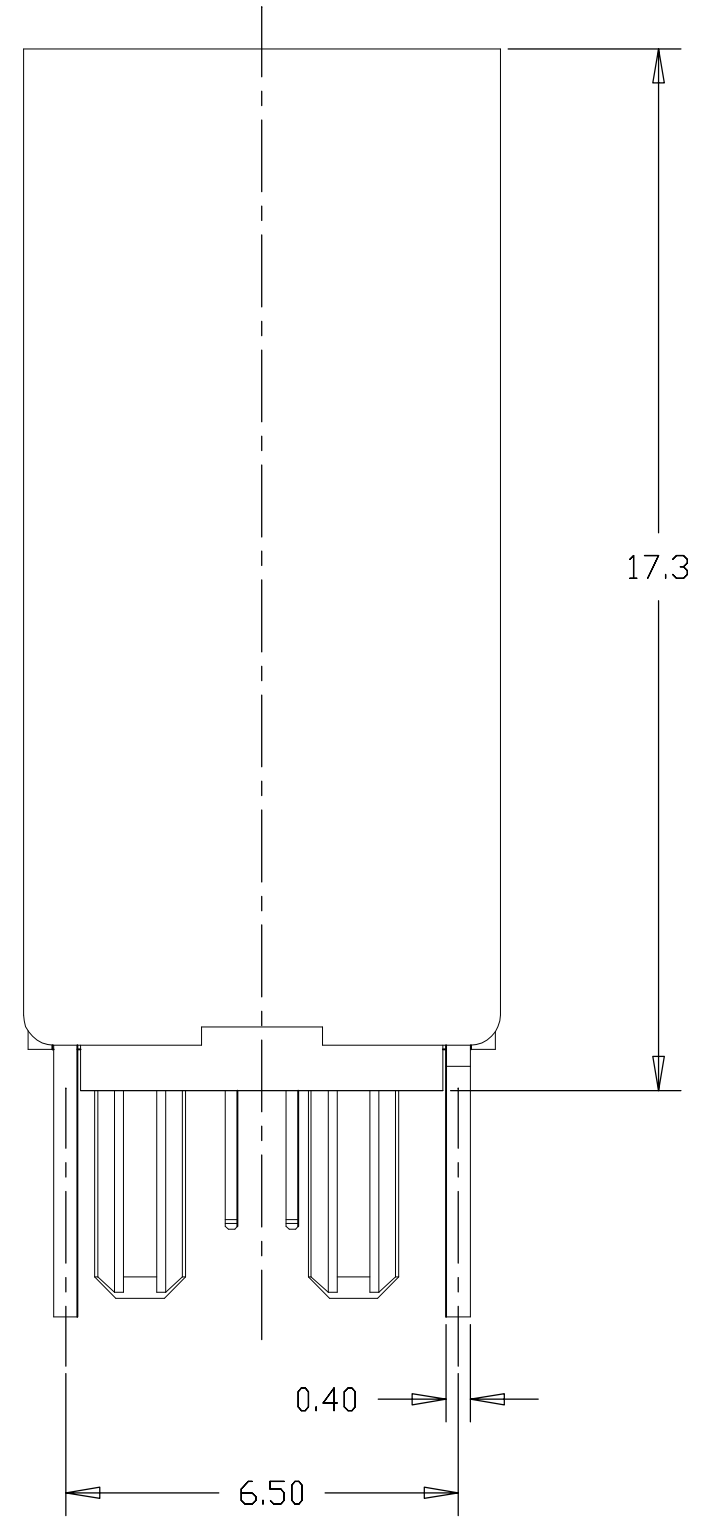
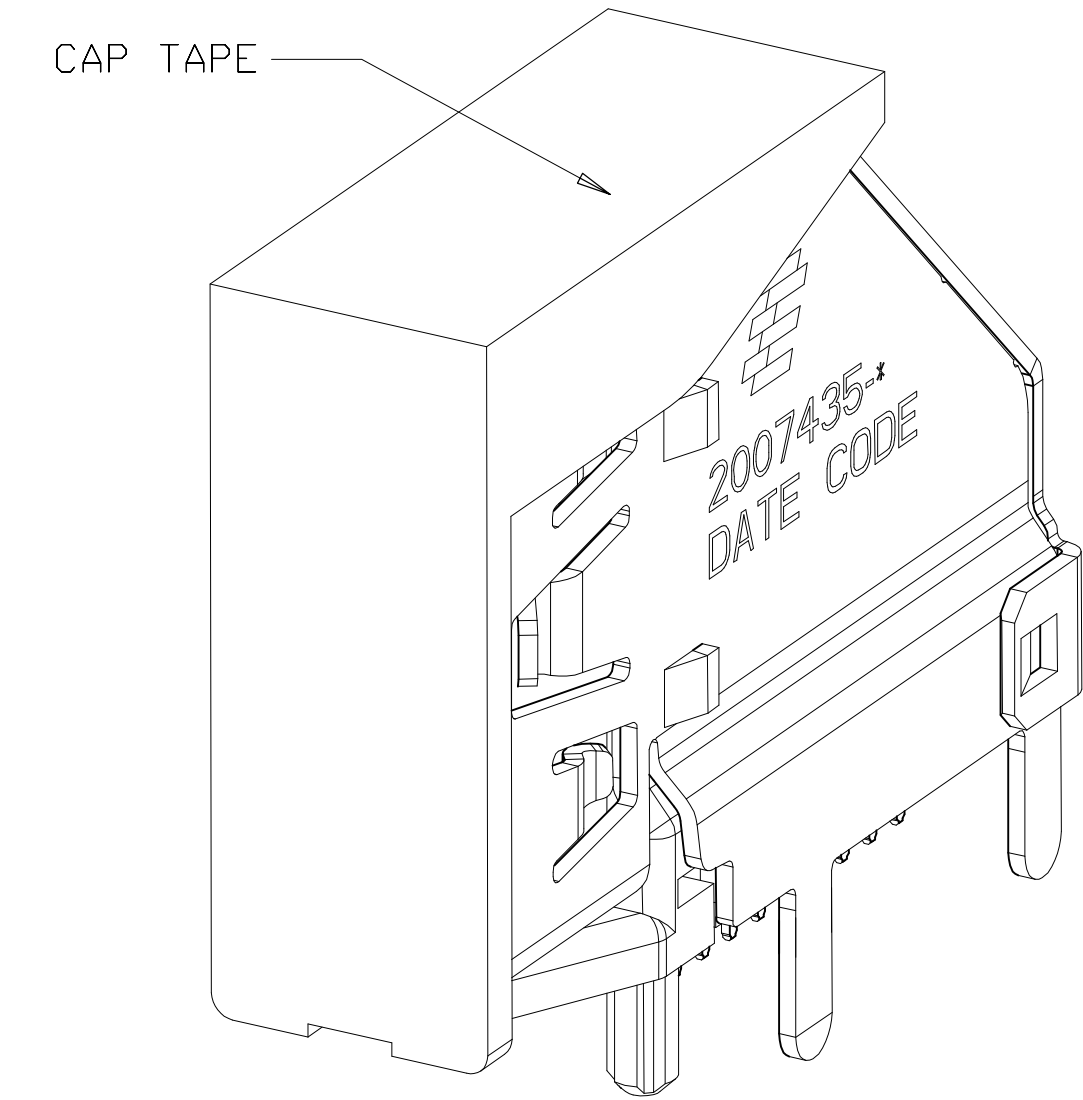
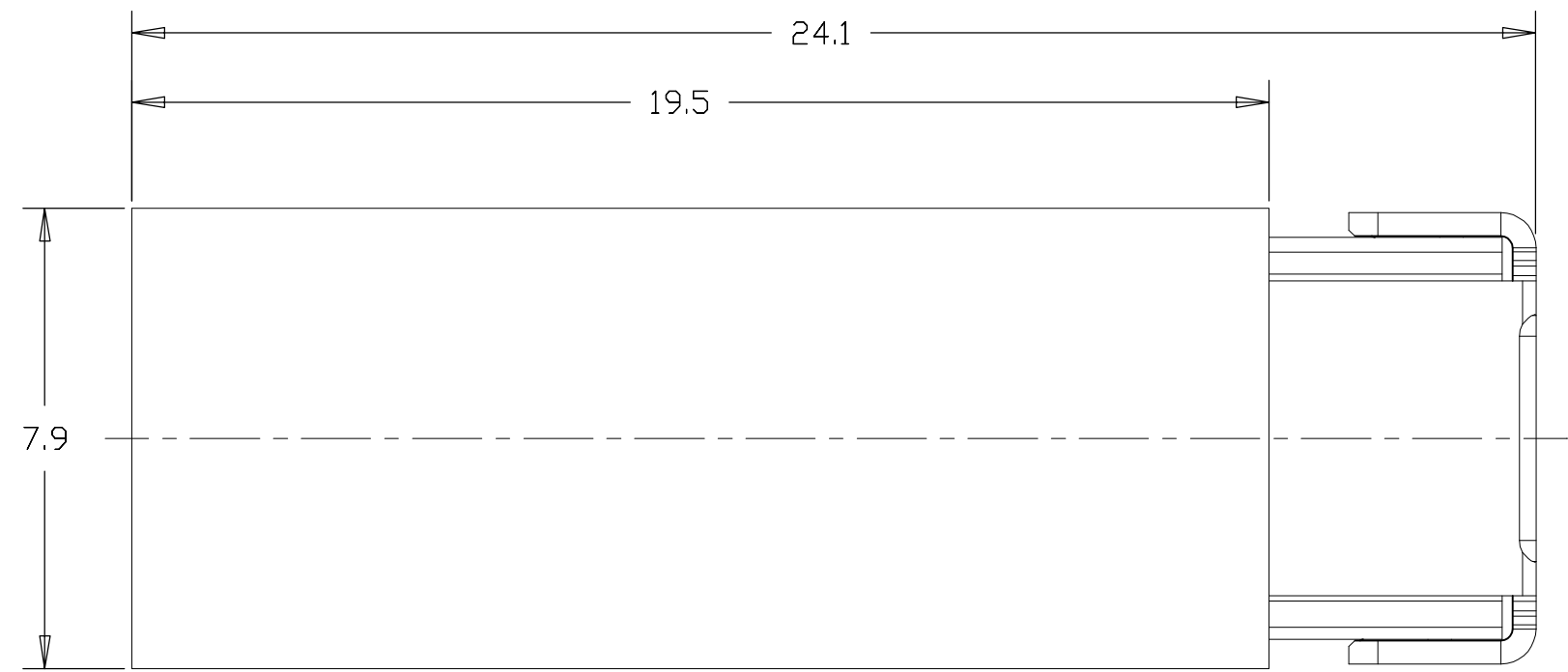


SCALE 6:1

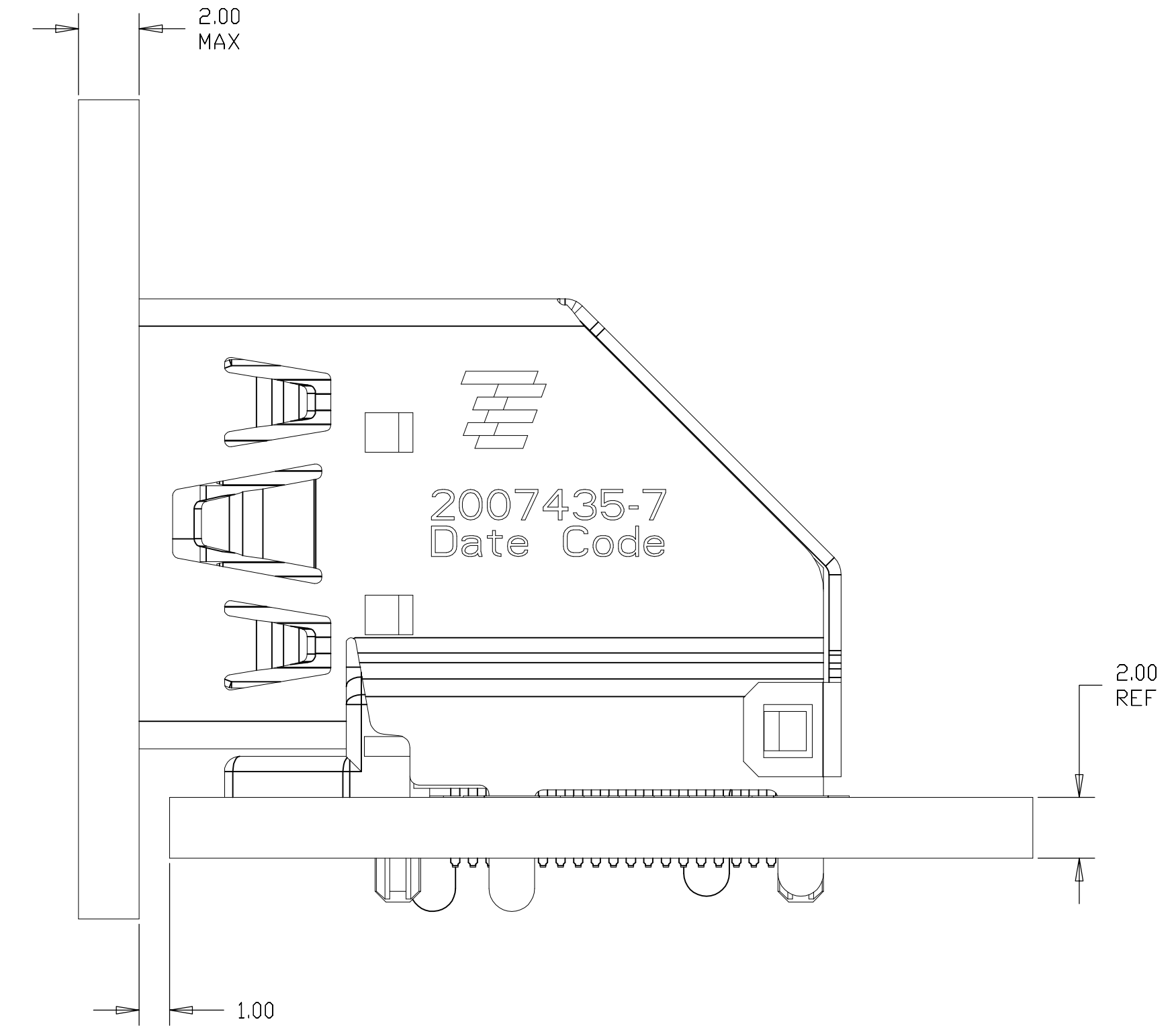


THIS DRAWING IS A CONTROLLED DOCUMENT.		DIN	STE TE Connectivity	
DIMENSIONS:	TOLERANCES UNLESS OTHERWISE SPECIFIED:	CHK	NAME	
mm	0. PLC ± 0.3	APVD	HDMI FLAG CONNECTOR ASSEMBLY	
	1. PLC ± 0.25	PRODUCT SPEC	-	
	2. PLC ± 0.10	APPLICATION SPEC	-	
	3. PLC ± 0.10	SIZE	A1	RESTRICTED TO
	4. PLC ± 0.10	CAGE CODE	00779	
	ANGLES ± 0.10	DRAWING NO	C=2007435	
MATERIAL SEE TABLE	FINISH	WEIGHT	-	
		CUSTOMER DRAWING	SCALE 8:1	SHEET 5 OF 10 REV D2

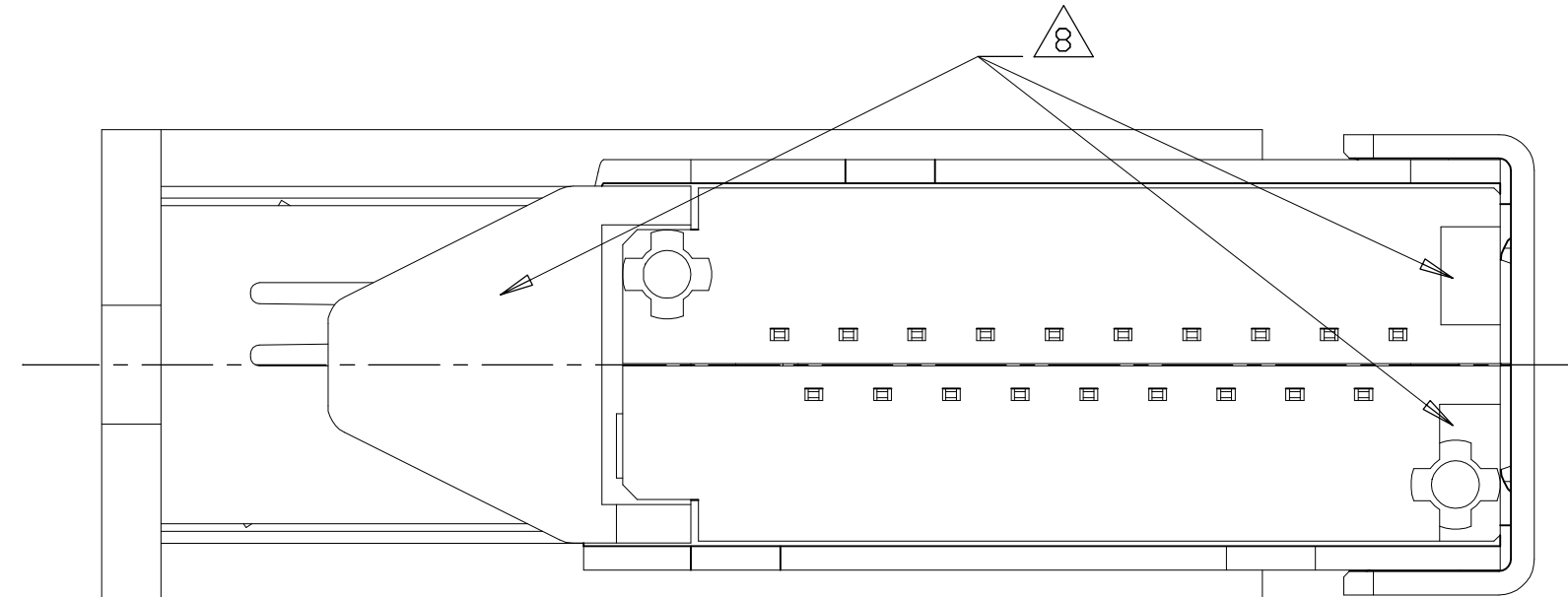
LOC		DIST		REVISIONS			
P	LTR	DESCRIPTION	DATE	OWN	APVD		
-	-	SEE SHEET 1	-	-	-	-	-



2007435-7 WITH CAP,
 UNMARKED DIMENSIONS SAME AS 2007435-1
 SCALE 6:1

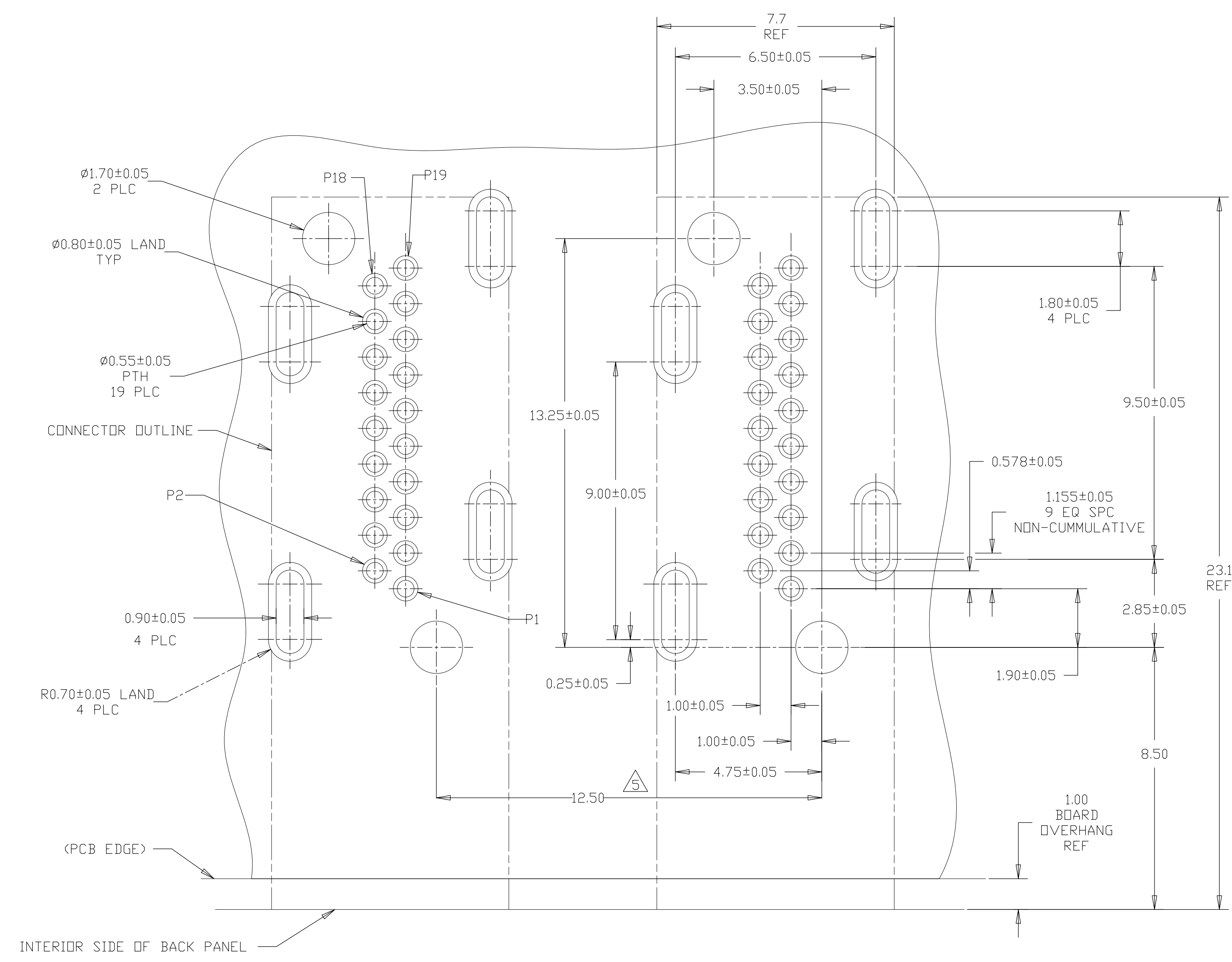


INSTALLED CONDITION
 (ONLY FOR AFTER REMOVE CAP)
 SCALE 6:1

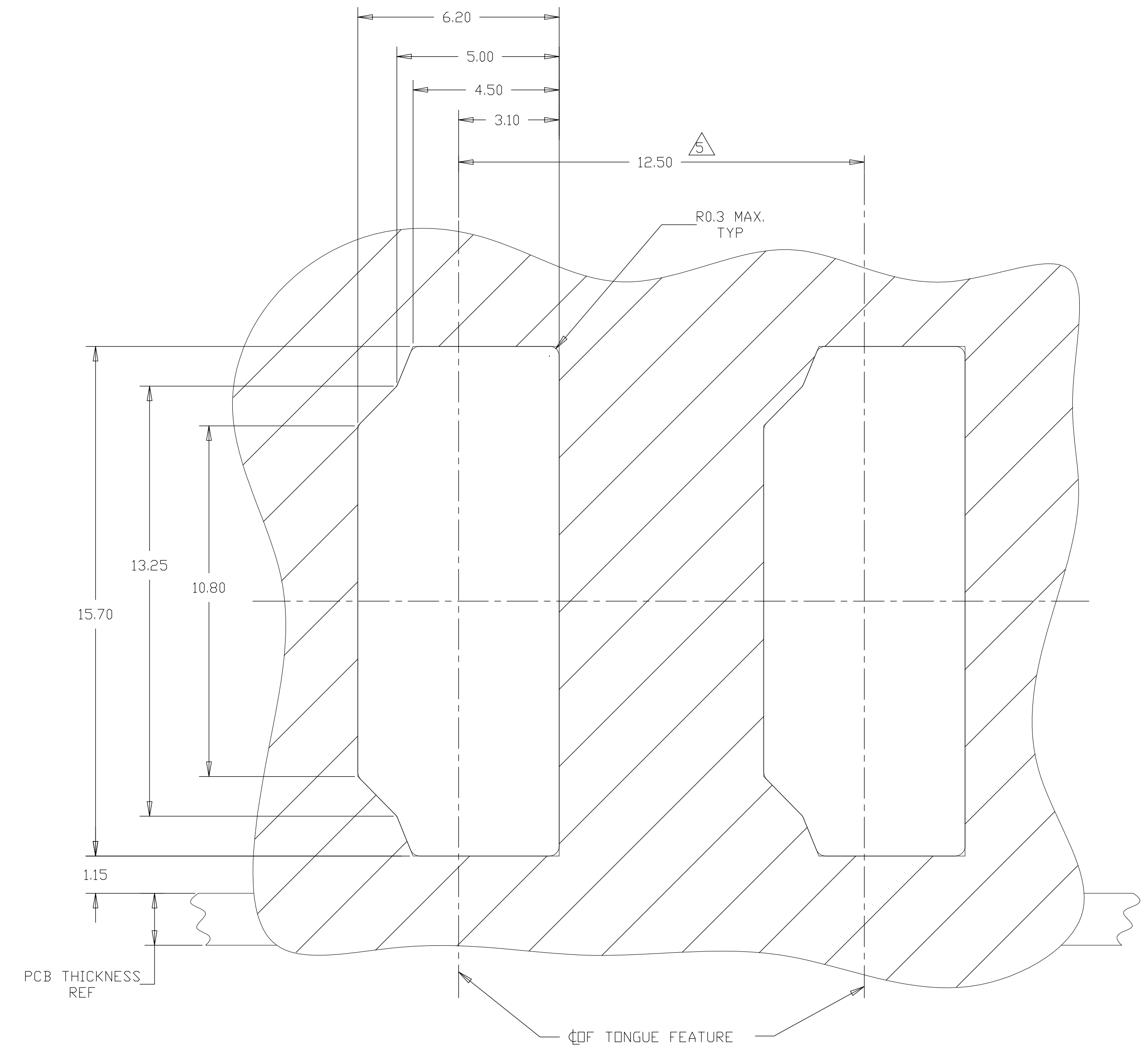


THIS DRAWING IS A CONTROLLED DOCUMENT.		DWN	TE TE Connectivity	
DIMENSIONS: mm		CHK		
TOLERANCES UNLESS OTHERWISE SPECIFIED:		APVD	NAME	
0 PLC	± 0.3	PRODUCT SPEC	HDMI FLAG CONNECTOR ASSEMBLY	
1 PLC	± 0.25	APPLICATION SPEC	-	
2 PLC	± 0.10	SIZE	A1	00779
3 PLC	± 0.10	CAGE CODE	00779	2007435
4 PLC	± 0.10	DRAWING NO	00779	2007435
ANGLES	±	RESTRICTED TO	-	
MATERIAL SEE TABLE	FINISH	WEIGHT	-	
CUSTOMER DRAWING		SCALE	8:1	SHEET 6 OF 10
		REV	D2	

LOC		DIST		REVISIONS			
P	LTR	DESCRIPTION	DATE	DNW	APVD		
-	-	SEE SHEET 1	-	-	-	-	-



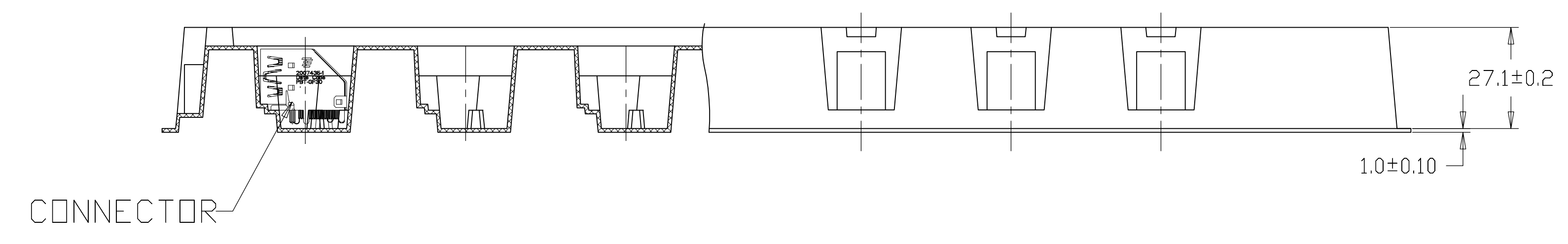
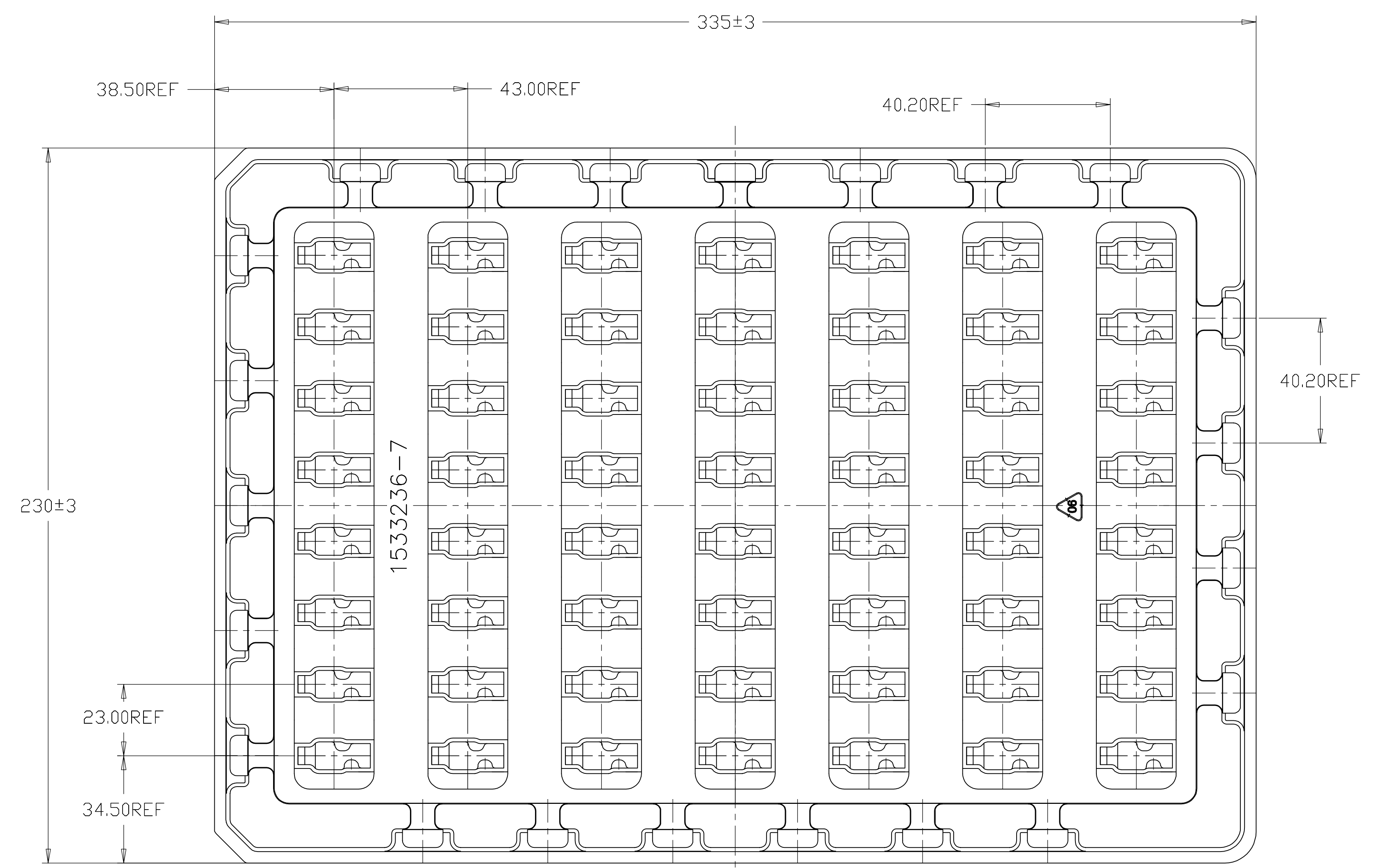
PCB LAYOUT SCALE 10:1



RECOMMENDED PANEL CUTOUT SCALE 10:1

THIS DRAWING IS A CONTROLLED DOCUMENT.		DIN	TE Connectivity	
DIMENSIONS:	TOLERANCES UNLESS OTHERWISE SPECIFIED:	CHK	NAME	HDMI FLAG CONNECTOR ASSEMBLY
mm	0 PLC ± -	APVD	PRODUCT SPEC	
	1 PLC ± 0.1	APPLICATION SPEC	SIZE	A1
	2 PLC ± 0.10	WEIGHT	CAGE CODE	00779
	3 PLC ± 0.100	CUSTOMER DRAWING	DRAWING NO	2007435
	4 PLC ± 0.1000	SCALE	8:1	
	ANGLES ± -	SHEET	7 OF 10	
MATERIAL	FINISH	REV		

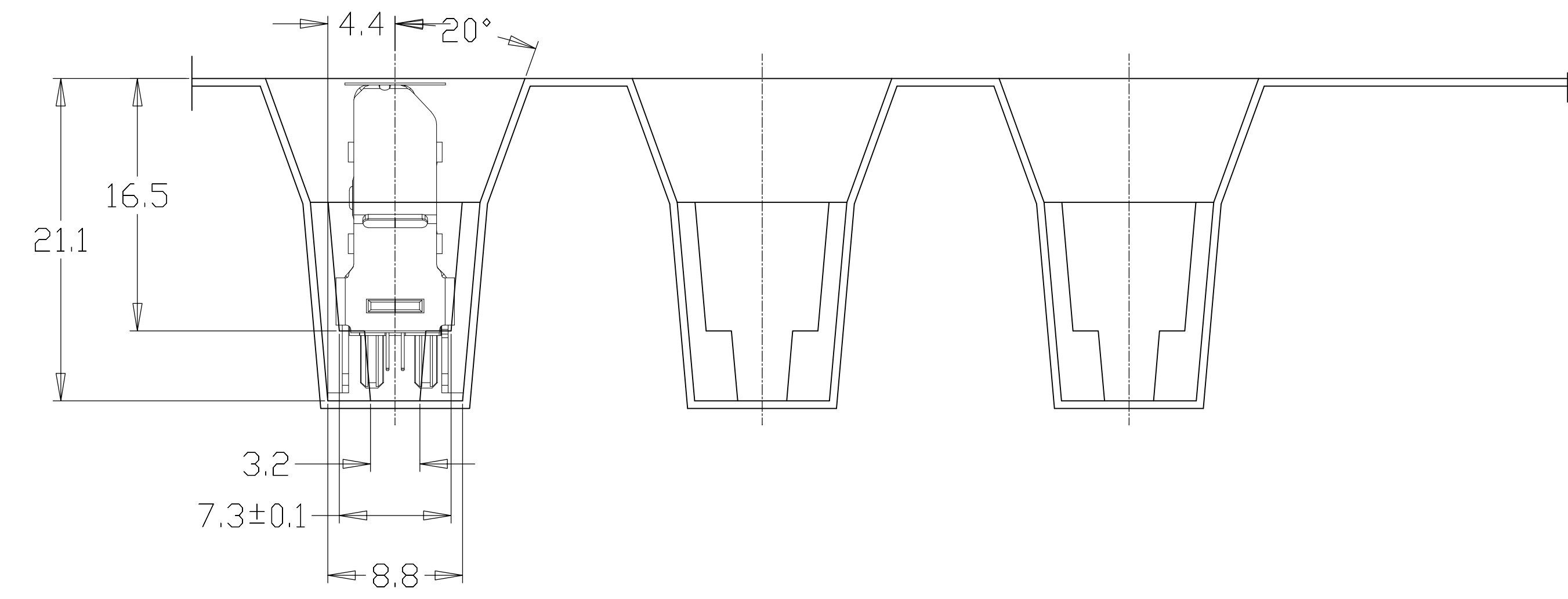
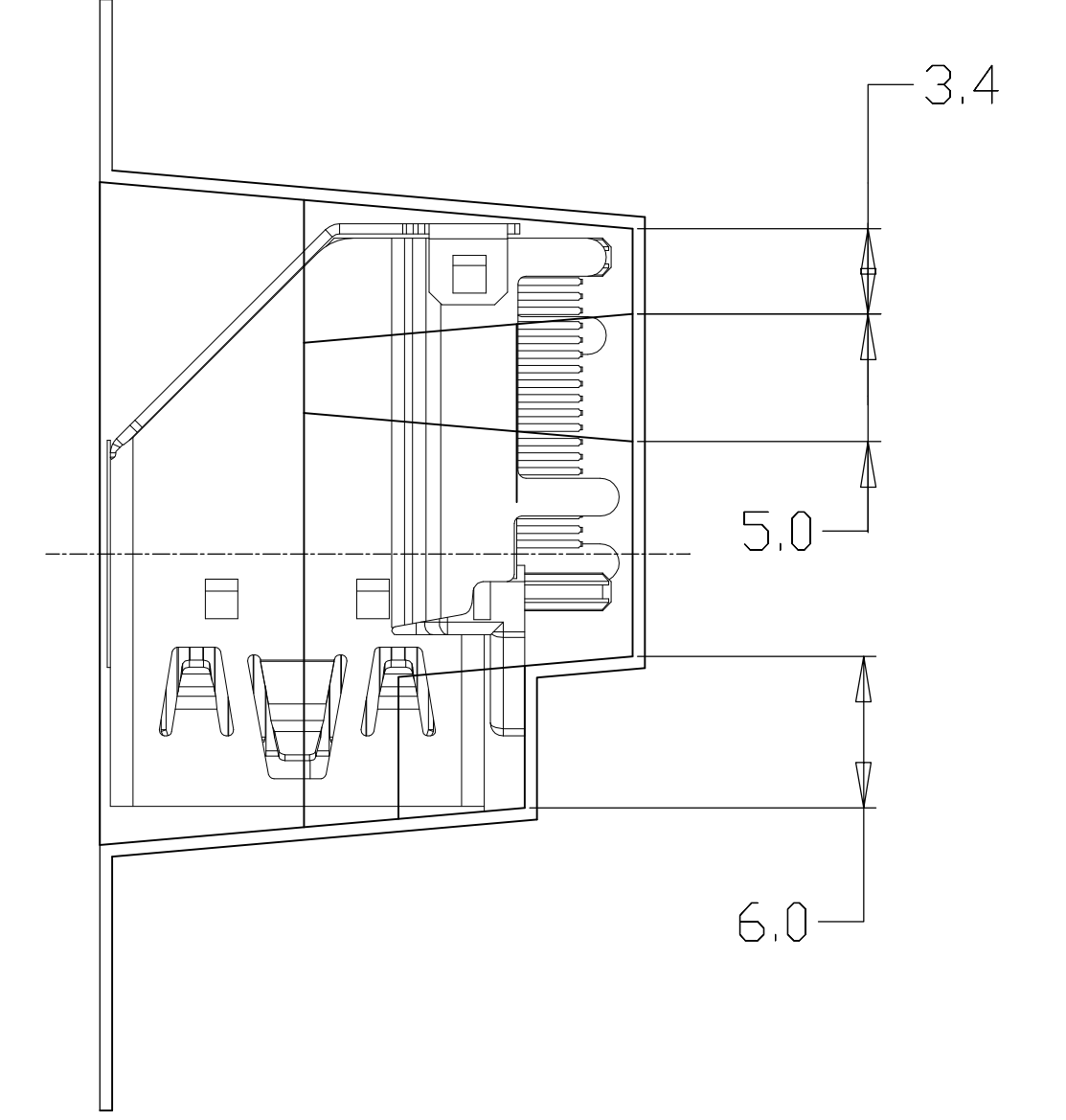
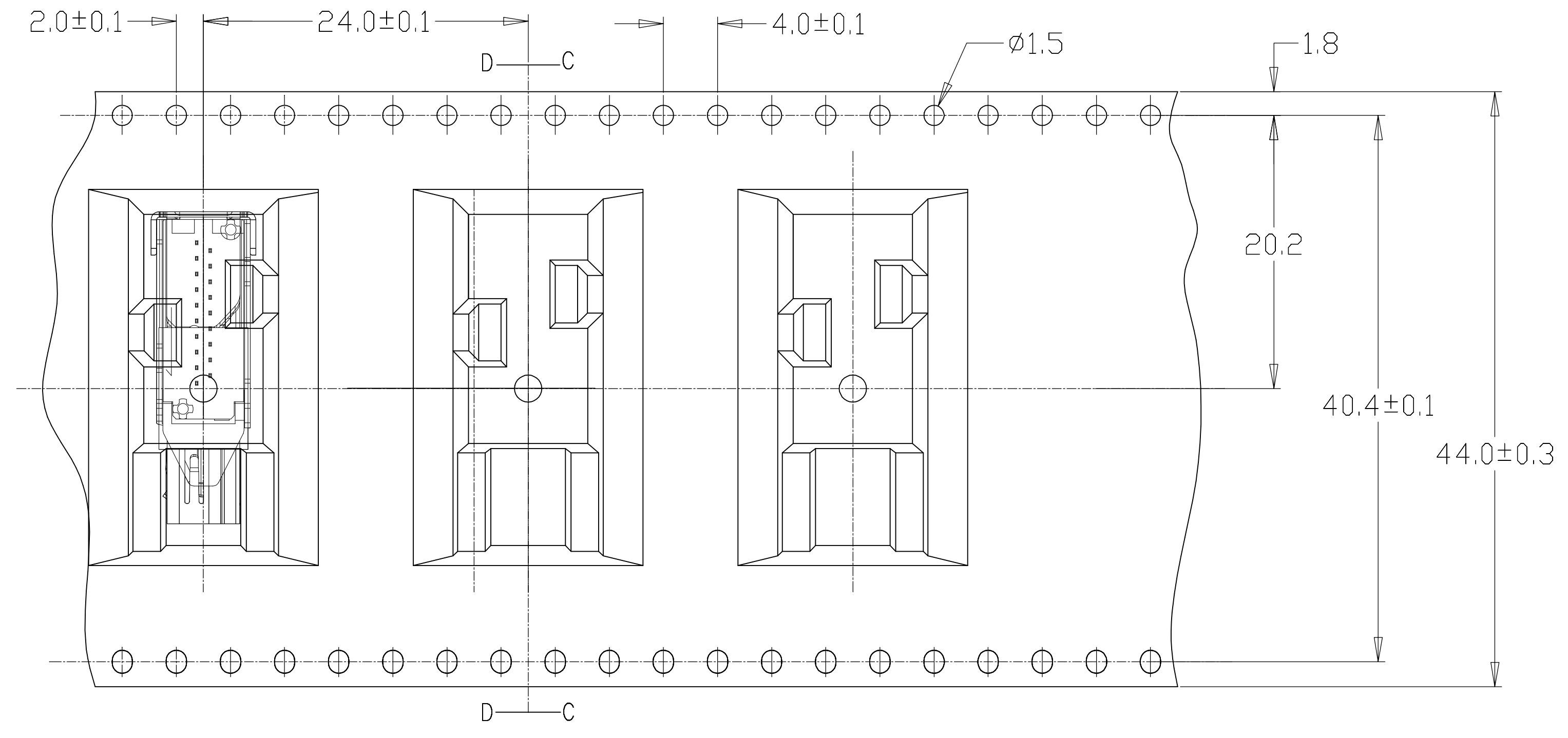
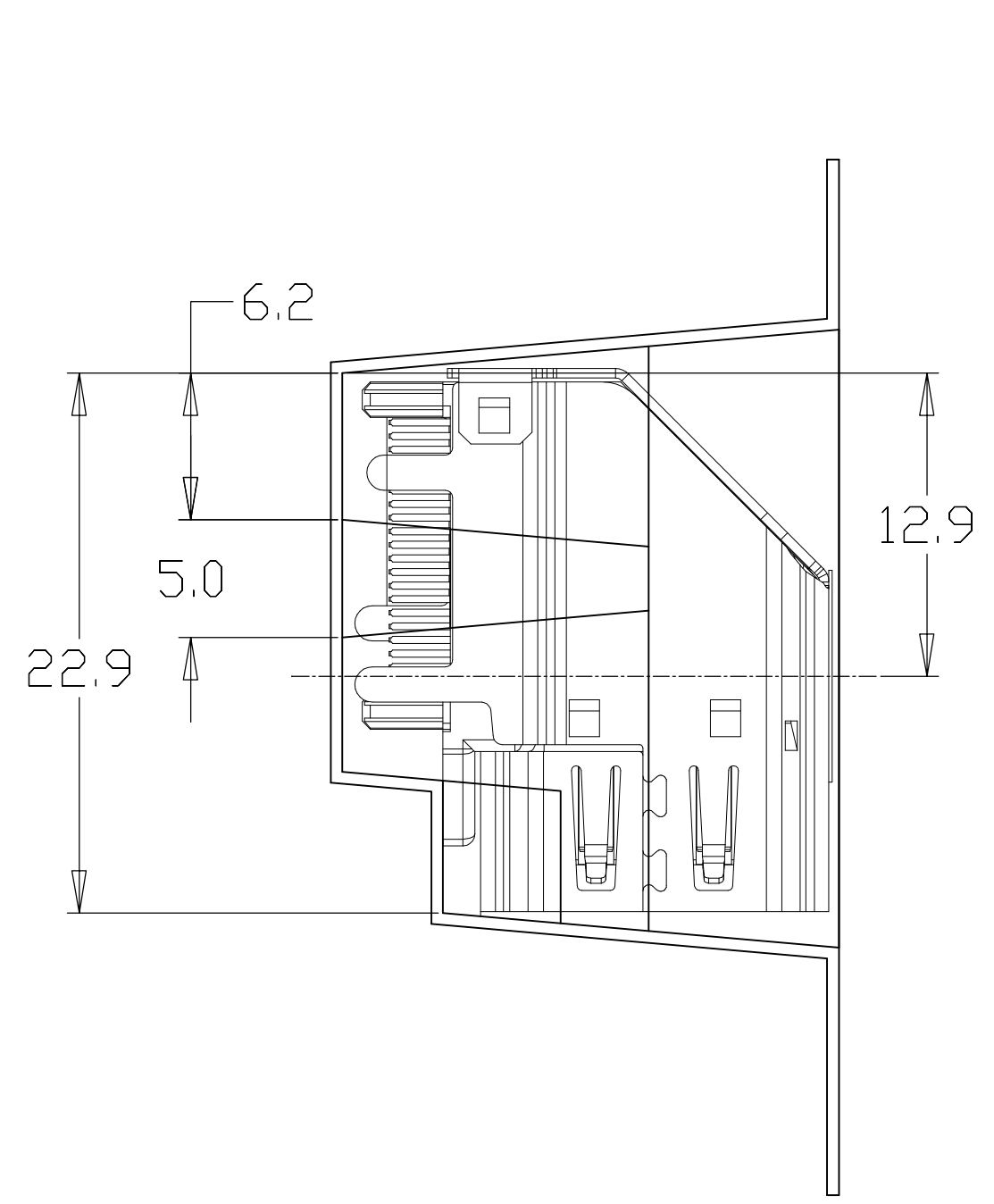
LOC		DIST		REVISIONS			
P	LTR	DESCRIPTION	DATE	DNW	APVD		
-	-	SEE SHEET 1	-	-	-	-	-



PACKAGE TRAY
FOR PART NUMBER
2007435-1,-2,-3,-4,-5
2-2007435-1

THIS DRAWING IS A CONTROLLED DOCUMENT.		DIN		STE		TE Connectivity	
DIMENSIONS: mm		TOLERANCES UNLESS OTHERWISE SPECIFIED:		NAME		HDMI FLAG CONNECTOR ASSEMBLY	
<ul style="list-style-type: none"> 0. PLC ± .1 1. PLC ± .1 2. PLC ± .1 3. PLC ± .1 4. PLC ± .1 ANGLES ± .5 		APVD		PRODUCT SPEC		RESTRICTED TO	
MATERIAL		FINISH		APPLICATION SPEC		SCALE N/A	
CUSTOMER DRAWING		WEIGHT		SIZE A1		SHEET 8 OF 10	
		DRAWING NO. 2007435		REV D2			

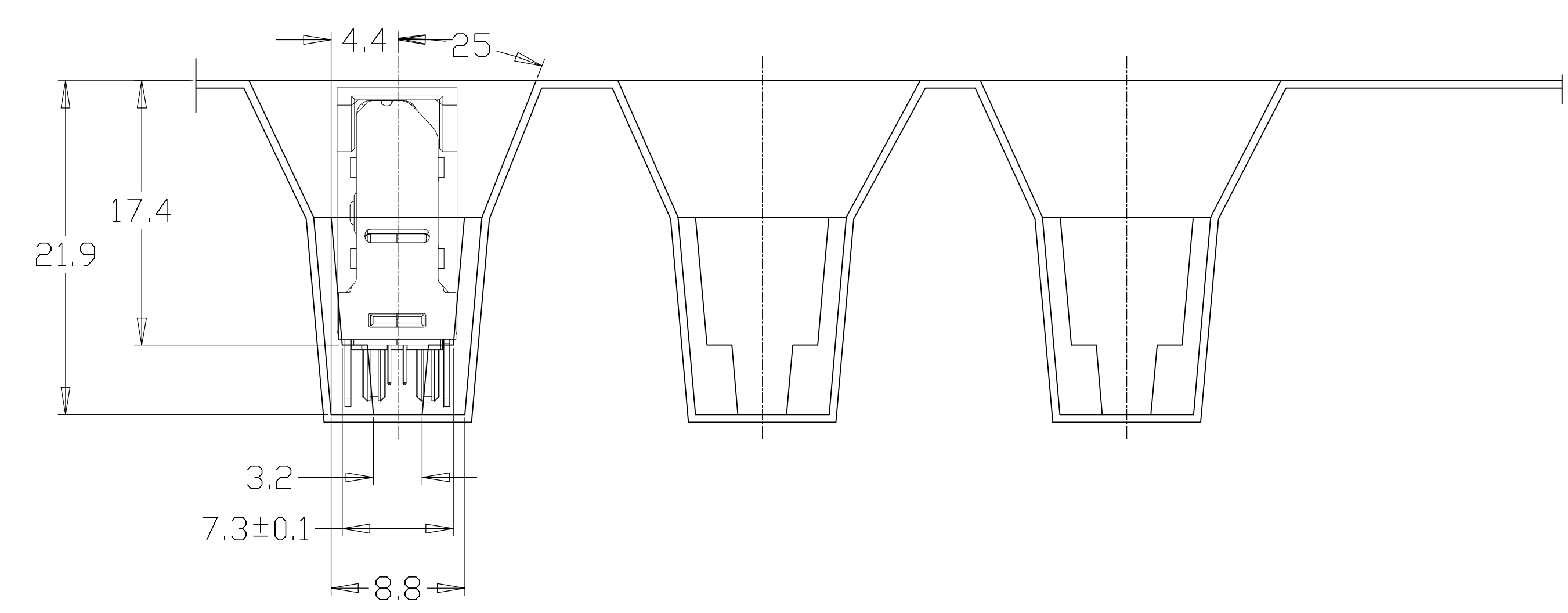
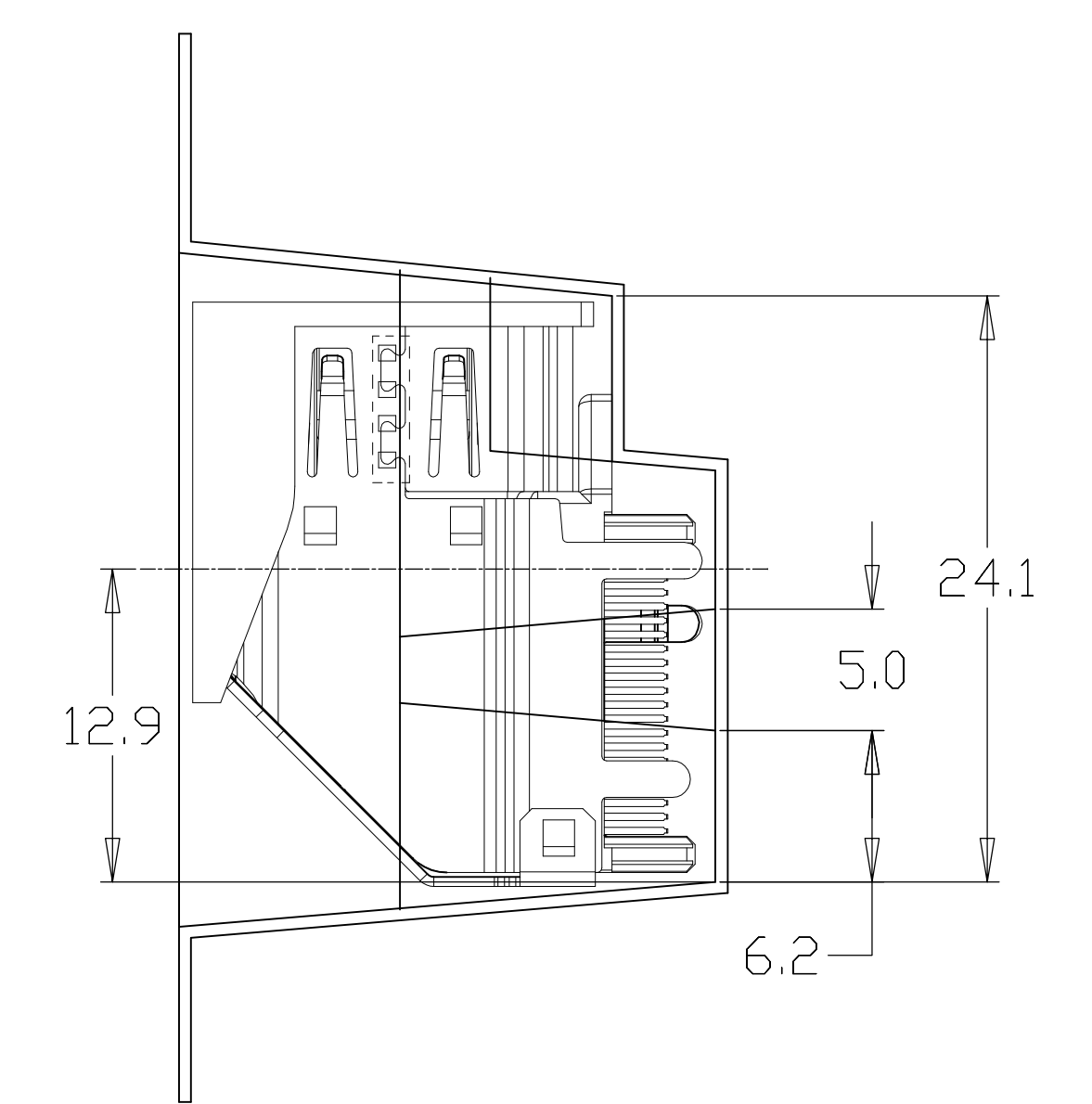
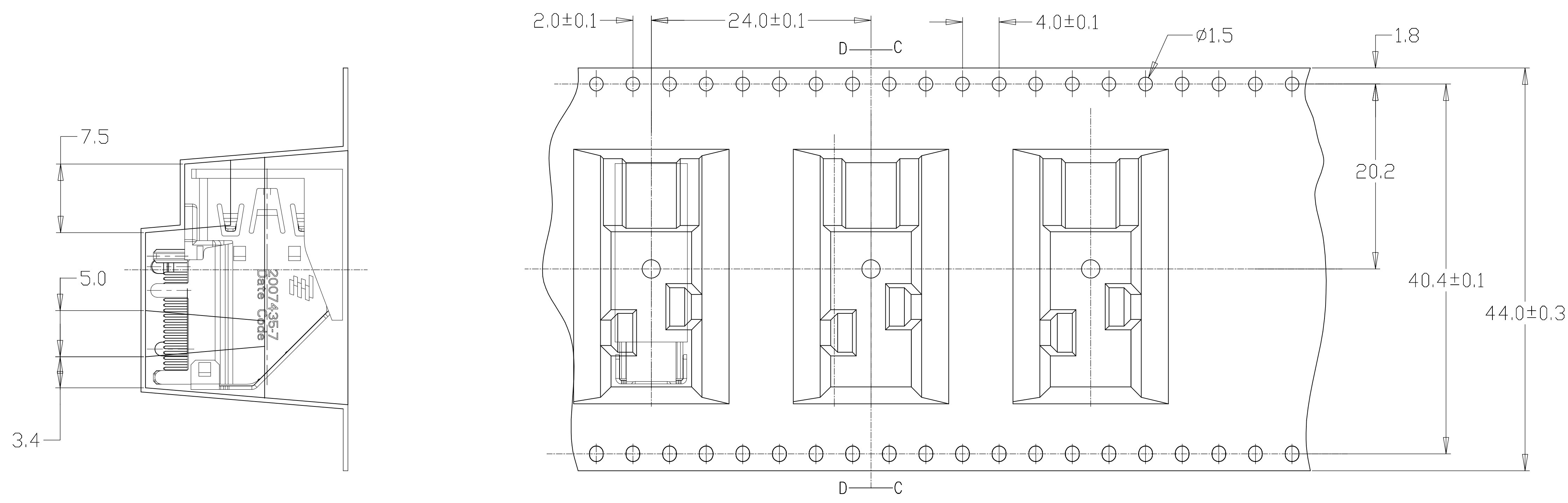
LOC		DIST		REVISIONS			
P	LTR	DESCRIPTION	DATE	DN	APVD		
-	-	SEE SHEET 1	-	-	-	-	-



EMBOSS TAPE
FOR PART NUMBER 2007435-6

THIS DRAWING IS A CONTROLLED DOCUMENT.		DIN	TE Connectivity	
DIMENSIONS: mm		CHK		
DIMENSIONS: mm TOLERANCES UNLESS OTHERWISE SPECIFIED: 0. PLC ± 0.3 1. PLC ± 0.15 2. PLC ± 0.10 3. PLC ± 0.10 4. PLC ± 0.10 ANGLES ± -		APVD	NAME	
		PRODUCT SPEC	HDMI FLAG CONNECTOR ASSEMBLY	
MATERIAL		APPLICATION SPEC	RESTRICTED TO	
FINISH		WEIGHT	SIZE	CAGE CODE
		CUSTOMER DRAWING	A1	00779
		SCALE	N/A	SHEET 9 OF 10
		REV	D2	

LOC		DIST		REVISIONS			
P	LTR	DESCRIPTION	DATE	DN	APVD		
-	-	SEE SHEET 1	-	-	-	-	-



EMBOSS TAPE
FOR PART NUMBER 2007435-7

THIS DRAWING IS A CONTROLLED DOCUMENT.		DIN		STE		TE Connectivity	
DIMENSIONS: mm		TOLERANCES UNLESS OTHERWISE SPECIFIED:		NAME		HDMI FLAG CONNECTOR ASSEMBLY	
<ul style="list-style-type: none"> 0. PLC ± 0.3 1. PLC ± 0.15 2. PLC ± 0.10 3. PLC ± 0.10 4. PLC ± 0.10 ANGLES ± 		APVD		PRODUCT SPEC		RESTRICTED TO	
MATERIAL		FINISH		APPLICATION SPEC		SCALE N/A	
WEIGHT		CUSTOMER DRAWING		SIZE A1		CAGE CODE 00779	
				DRAWING NO. 2007435		SHEET 10 OF 10	
				REV D2			