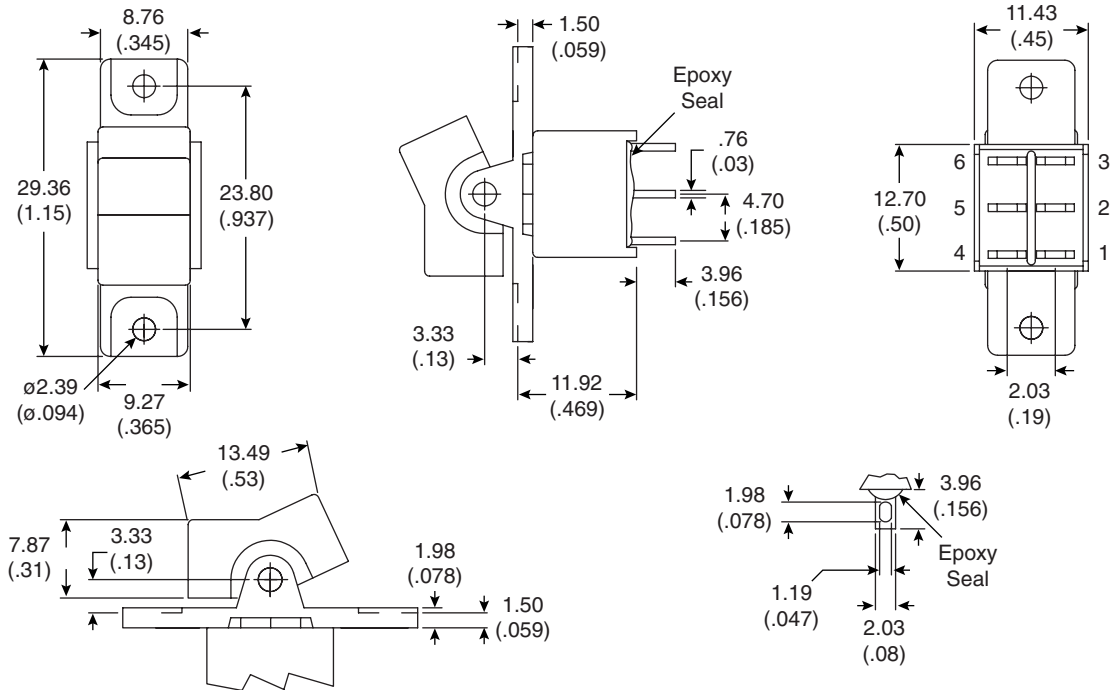
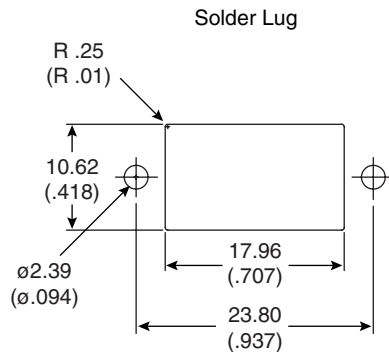


Dimensions: mm (In.)



Pos. 1	Pos. 2	Pos. 3
On	None	On
2-3, 5-6	Open	2-1, 5-4

Switch Function



Mechanical Specifications:

- Mechanical Life: 30,000 make-and-break cycles
- Operating Temperature: -30°C to 85°C

Electrical Specifications:

- Rating: 2A/250VAC, 5A/120VAC or 28 VDC
- Contact Resistance: 10m Ω max. initial @ 2-4 VDC 100mA
- Insulation Resistance: 1000M Ω min.
- Dielectric Strength: 1000 V RMS @ sea level

Note:

- RoHS Compliant by Exemption

Materials:

- Case and Bushing: Glass filled nylon 6/6, flame retardant, heat stabilized
- Actuator: Nylon, black std. internal o-ring seal standard with all actuators.
- Frame: Spring steel, black std.
- Switch Support: Brass or steel, tin plated
- Terminals/Contact: Gold plated copper alloy
- Actuator Pivot & Mounting Bracket: Nylon
- Actuator Pivot Retainer: Stainless steel

Sealed Miniature Rocker Switch
103-7020-EVX

