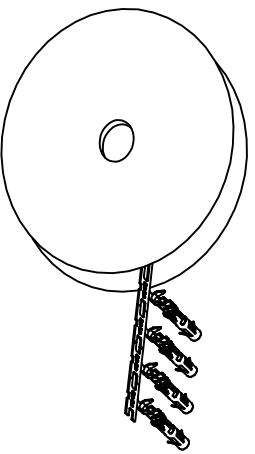


REVISIONS				
REV	ECO	DESCRIPTION	DATE	BY APPR
A1	-	RELEASED DRAWING	Jul-16-18	Flan Tommy

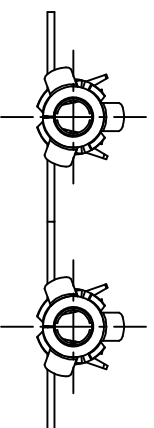
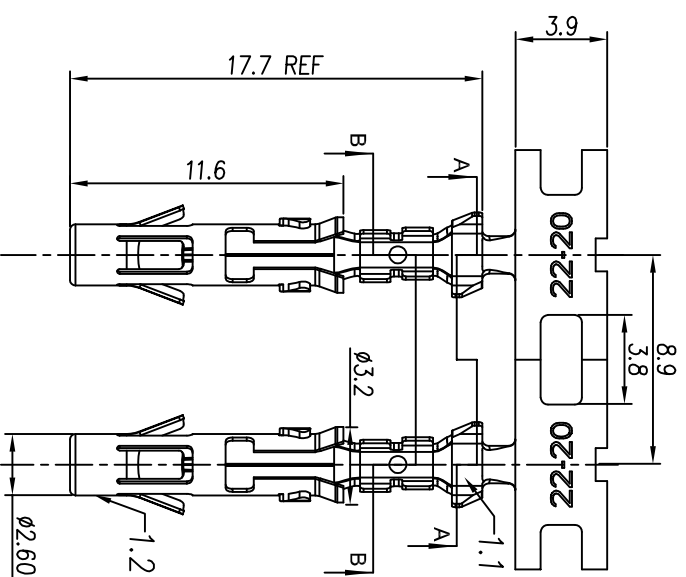
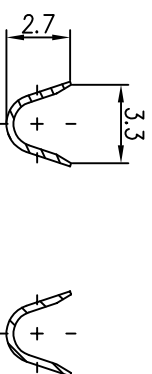
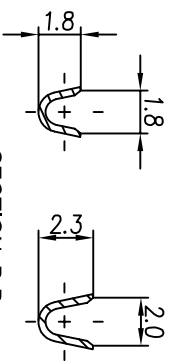


CONTACT ORIENTATION ON ROLL (3000PCS/COIL)

NOTES : (UNLESS OTHERWISE SPECIFIED)

1. MATERIAL :
  - 1.1. CONTACT BODY : COPPER ALLOY.
  - 1.2. OUTER SPRING : STAINLESS STEEL.
2. SPECIFICATIONS :
  - 2.1 CURRENT RATING : 13A MAX.
  - 2.2 TERMINATION TYPE : CRIMPING.
  - 2.3 WIRE RANGE : 20~22AWG.
  - 2.4 WIRE INSULATION DIA(MAX) :  $\phi$ 2.5mm.
3. ROHS COMPLIANT.
4. ALL DIMENSIONS ARE FOR REFERENCE USE ONLY.
5. AVAILABLE TOOLS :
  - 5.1 HAND CRIMPER : MFX-3954.
  - 5.2 CRIMP APPLICATOR : MFX-3957.
  - 5.3 EXTRACTION TOOL : QXRTL16.

P/N	CONTACT PLATING(MATING AREA)
SS20M2T	TIN PLATING OVER NICKEL.
SS20M2N	NICKEL PLATING OVER COPPERIZE.
SS20M2F	GOLD FLASH PLATING OVER NICKEL.
SS20M2G5	5 $\mu$ "GOLD PLATING OVER NICKEL.
SS20M2G10	10 $\mu$ "GOLD PLATING OVER NICKEL.
SS20M2G15	15 $\mu$ "GOLD PLATING OVER NICKEL.
SS20M2G30	30 $\mu$ "GOLD PLATING OVER NICKEL.



QUANTITY	PART NUMBER	DESCRIPTION	ITEM

**MATERIALS LIST**

UNLESS OTHERWISE SPECIFIED	SIGNATURES	DATE	ECO-MATE SOCKET CONTACT, STAMPED, 22-20AWG, SIZE 16
1) All dimensions are in millimeters. 2) Tolerances are as follows: 1 PL DEC 20.30 Fractions .1" 3 PL DEC 20.08 Angles .1"	Flan	Jul-16-18	<p><b>Amphenol</b></p> <p>Sine Systems - <a href="http://www.amphenol-sine.com">www.amphenol-sine.com</a> 44724 Morley Drive Clinton Township, MI 48036</p>
3) Note reference =	Tommy	Jul-16-18	
MATERIAL SPECIFICATIONS:	CUSTOMER:		

PROCESS SPECIFICATIONS:	SIZE	TYPE	SCALE	SHEET	OF
1) TEST DRAWINGS SUPERSEDES ALL PREVIOUS DRAWINGS. SPECIFICATIONS AND PERFORMANCE DATA ARE SUBJECT TO CHANGE WITHOUT NOTICE. THE MANUFACTURING CORPORATION NO RIGHTS OF REPRODUCTION ARE IMPLIED. ALL MANUFACTURING VARIATIONS.	B	C-	NONE	1	1
TEXT ASSY:					