

VM Desktop

USB multifunction controllers

Distinctive features and specifications

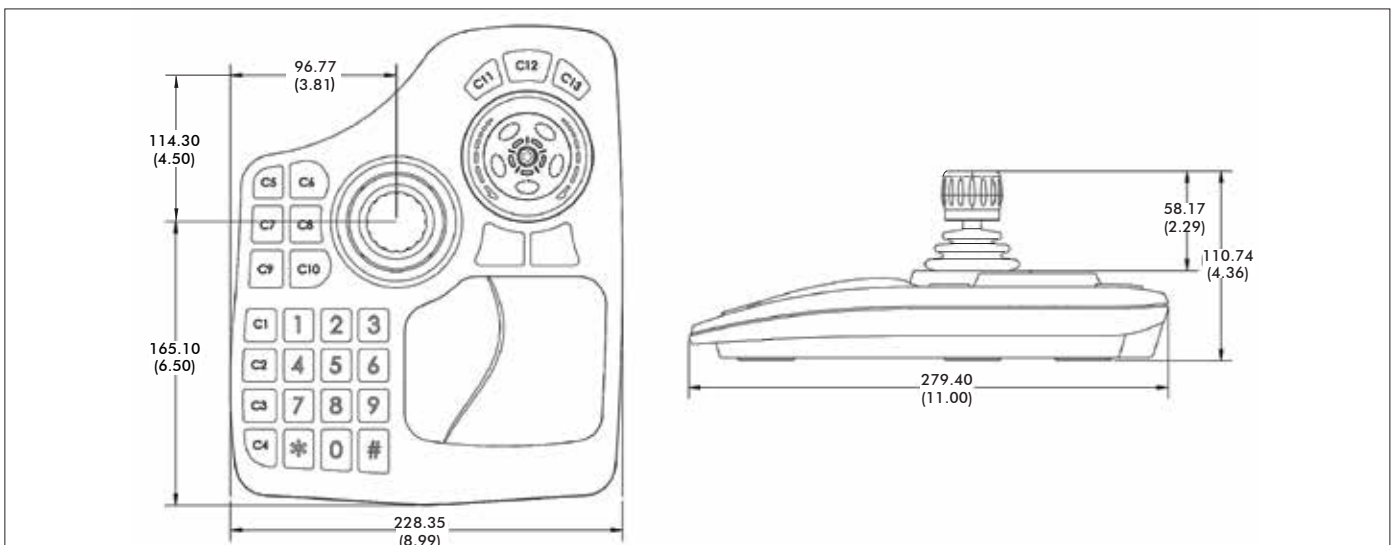


- ❑ 3 axis joystick for PTZ control
- ❑ 27 programmable pushbuttons
- ❑ USB 1.1 HID compliant “game controller”
- ❑ Jog/shuttle dial
- ❑ LED backlit and tactile pushbutton options
- ❑ Functions determined by controlled application

- Joystick performance:
 - Hall effect three axis joystick
 - X/Y/Z for positioning control
 - Joystick travel:
 - 36° for X and Y axis
 - 60° for Z axis
 - Centering: Single spring, omni-directional
 - Joystick shaft: Stainless steel
 - Joystick boot: Neoprene
 - Joystick handle: Glass filled nylon
 - Jog/shuttle performance:
 - Spring loaded shuttle ring travel $\pm 40^\circ$
 - Smooth action knob rotates 360°
 - Pushbutton performance:
 - 27 programmable pushbuttons rated for 500,000 life cycles
 - Lighting: high efficiency LED
 - Pushbutton material: silicon
 - “Mouse” pushbuttons are rated for 10 million life cycles
 - Desktop housing: High impact ABS
 - Power:
 - Via USB interface (5V DC)
 - Consumption 500mA max
- Supplied by USB ports, per USB specification

- Operating conditions:
 - -25°C to +85°C (-13°F to +185°F)
- Approvals:
 - EN 55024:1998, EN 55022,
 - FCC Part 15 Subpart B Class B
 - RoHs compliant
- Interface:
 - USB port
 - Uses standard DirectX HID drivers
 - Connects directly to workstation PC
- Connectors:
 - USB Type A Male
 - Cable Length: 2m (6ft. 6.8in)
- Systems support integration: Windows 7, Vista, XP, 2000, Windows 8, OSX, Linux
- Supported protocols:
 - USB HID 1.1 game controller
 - Direct X (Gaming Control)
 - Joystick: Three HID axis
 - Pushbuttons: 12 HID buttons
 - Uses standard DirectX HID drivers
 - Connects directly to workstation PC
- Environmental: For indoor use only
- Boxed weight: 1.33kg (47oz)

NOTE: All values are nominal.



- NOTES:
- Dimensions are in mm/(inch).
 - Product is supplied individually boxed with instruction booklet.
 - To order the VM Desktop with LED backlighting, refer to part number 100-590.
 - To order the VM Desktop with tactile switches, refer to part number 100-600.

Note: The company reserves the right to change specifications without notice.