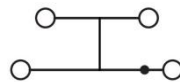
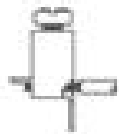
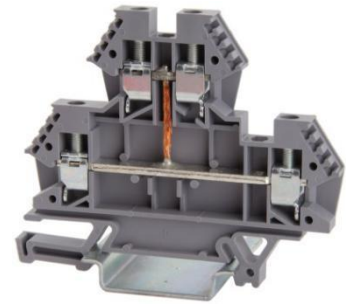


Euro Two Stage Feed-through Terminal Block

Article: **10134289-001LF**

Two stage Feed-through cross connected terminal block - Grey
Screw connection - 4mm² / 10AWG - Width 6 mm



GENERAL DATA

Series	EURO D4-2
Item	10134289
Weight/Piece	19 g
Colour	Grey
Q.ty p.pkg.	50
Q.ty p. box	1.000

TECHNICAL DATA / DIMENSIONS

Dimensions

Width mm(in.)	6 (0.24)
Length mm(in.)	75 (2.95)
Height mm(in.)	56 (2.20)
Mounting type (EN 60715)	Omega TH35

Technical data

Maximum load current	32A
Insulating material	PA 68
Self-extinguishing degree acc. to UL94	V0
Rated surge voltage	8kV
Pollution degree	3
Surge voltage category	III
Insulating material group	I
Nominal Voltage	1000V
Nominal Current	32A
Temperature index, insulating material – Elec. UL 746 B - RTI	130°C
Static insulating material lower permissible temperature	-60°C

Connection data

Conductor cross-section solid min/max	0.50 / 6 mm ²
Conductor cross-section stranded min/max	0.50 / 4 mm ²

AWG min/max	24-10AWG
Max conductor cross-section stranded with ferrule with plastic sleeve	4 mm ² / L=8 mm
Stripping length	max 6 mm
Screw	M3 – Zinc plated steel
Tightening torque	0,6Nm / 7. 0 Lb-In
Clamp	Zinc plated steel
Current bar	Tin Plated copper alloy

APPROVALS



RINA

EN60947-7-1

4mm² – 1000V – 32A

EN60068-2-11

Salt mist test for 96 hours

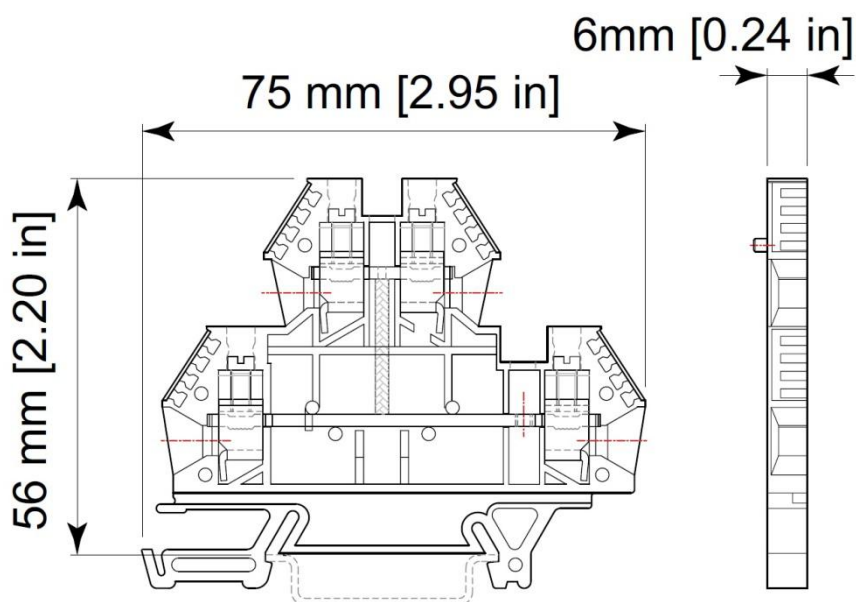


UL1059

SCCR 100kA

AWG 24-10 – 600V – 30A

TECHNICAL DRAWINGS



ACCESSORIES

Marking

Item	Description
10134398-001LF	Single-digit marking tag (5 x 3 mm) - white
10134398-002LF ~ 10134398-011LF	Single-digit marking tag (5 x 3 mm) – with marking: 0 ~ 9
10134398-012LF ~ 10134398-036LF	Single-digit marking tag (5 x 3 mm) – with marking: A ~ Z
10134399-001LF	Marking tag adapter – 6 slots for marking tags
10134400-001LF	Marking tags (5 x 12 mm) - white (<i>special marking on request</i>)
10134401-001LF	Marking tags (6 x 12 mm) - white (<i>special marking on request</i>)
10134401-001LF	Tags 6x12mm (39tags x 20cards)

DIN RAIL system - Mounting and Installation material

Item	Description
10134392-001LF	Steel Omega rail 35/7,5mm - 2mt length
10134393-001LF	Slotted steel Omega rail 35/7,5mm - 2mt length
10134394-001LF	Steel Omega rail 35/15mm - 2mt length
10134395-001LF	Slotted steel Omega rail 35/15mm - 2mt length
10134387-001LF	Angled support bracket
10134389-001LF	EURO STOP - End bracket width 9
10134390-001LF	EURO STOP - End bracket width 6
10134391-001LF	EURO STOP - Snap-on end bracket width 6

Additional items

Item	Description
10134292 -001LF	End plate
10134291-001LF	Cover for EURO D4
10134272-001LF	EURO J4 - Jumper bar 2 poles - pitch 5,1mm
10134272-002LF	EURO J4 - Jumper bar 3 poles - pitch 5,1mm
10134272-003LF	EURO J4 - Jumper bar 24 poles - pitch 5,1mm
10134271-002LF	Ratchet Cutting Tool for Jumpers - yellow - pitch 6,1mm
10134276-001LF	Red test plug adapter
10134276-002LF	Black test plug adapter