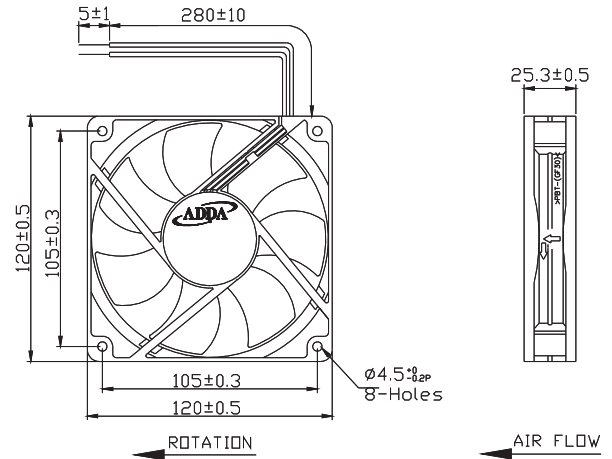




AQ12025 SERIES



External Dimensions



Frame:Plastic(UL:94V-0)
 Impeller:Plastic(UL:94V-0)
 Lead wire:UL1007AWG24

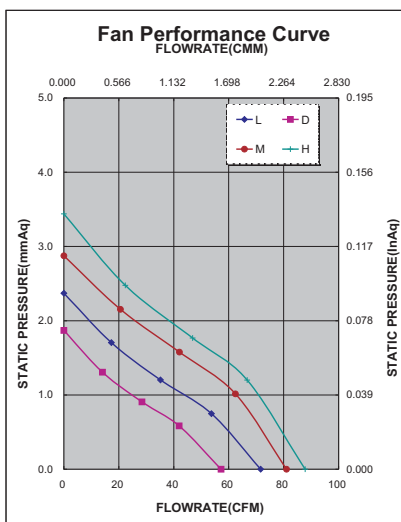
Specifications(Nominal)

*Noise is measured at the distance of one (1) meter from the axis of intake.

Bearing type: ◎=Ball ※=Sleeve ●=Hypro bearing

| Frame size (mm) | Model No. | Bearing System Type | Rated Voltage (VDC) | Current (A) | Power (W) | Rated Speed (rpm) | Maximum AirFlow (CMM) | Maximum AirFlow (CFM) | Maximum Pressure (InAq) | Maximum Pressure (mmAq) | *Noise Level (dB/A) | Weight (g) |
|-----------------|-------------------|---------------------|---------------------|-------------|-----------|-------------------|-----------------------|-----------------------|-------------------------|-------------------------|---------------------|------------|
| 120x120x25 | AQ1212DB-A71GL(N) | ◎ | 12 | 0.11 | 1.32 | 1500 | 1.618 | 57.205 | 0.074 | 1.879 | 27.2 | 156.0 |
| | AQ1212LB-A71GL(N) | ◎ | 12 | 0.15 | 1.80 | 1800 | 2.032 | 71.806 | 0.093 | 2.362 | 34.3 | |
| | AQ1212MB-A71GL(N) | ◎ | 12 | 0.16 | 1.92 | 2050 | 2.293 | 81.054 | 0.113 | 2.870 | 38.0 | |
| | AQ1212HB-A71GL(N) | ◎ | 12 | 0.29 | 3.48 | 2200 | 2.486 | 87.870 | 0.134 | 3.403 | 39.1 | |
| | AQ1224DB-A71GL(N) | ◎ | 24 | 0.06 | 1.44 | 1500 | 1.618 | 57.205 | 0.074 | 1.879 | 27.2 | |
| | AQ1224LB-A71GL(N) | ◎ | 24 | 0.08 | 1.92 | 1800 | 2.032 | 71.806 | 0.093 | 2.362 | 34.3 | |
| | AQ1224MB-A71GL(N) | ◎ | 24 | 0.11 | 2.64 | 2050 | 2.293 | 81.054 | 0.113 | 2.870 | 38.0 | |
| | AQ1224HB-A71GL(N) | ◎ | 24 | 0.13 | 3.12 | 2200 | 2.486 | 87.870 | 0.134 | 3.403 | 39.1 | |

Specifications subject to change without notice.



*Motor protective circuit and third lead wire functions

| 0 | 1 | 2 | 3 | 4 | 6 | 7 | 8 | 9 | A | B |
|---|---|---|---|---|---|---|---|---|---|---|
| | ✓ | ✓ | ✓ | | | | | | | |

*Safety approvals

| | | | | |
|---|---|--|---|---|
| | | | | |
| ✓ | ✓ | | ✓ | ✓ |