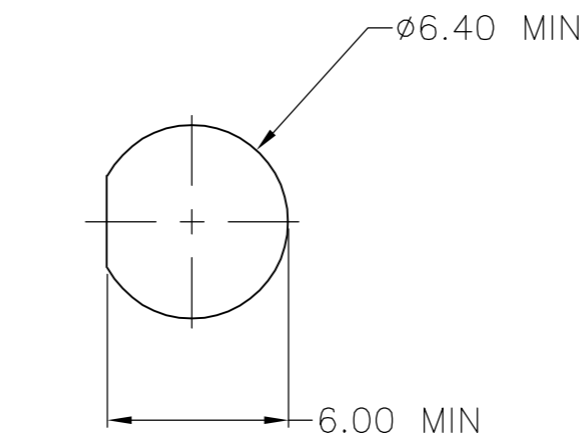
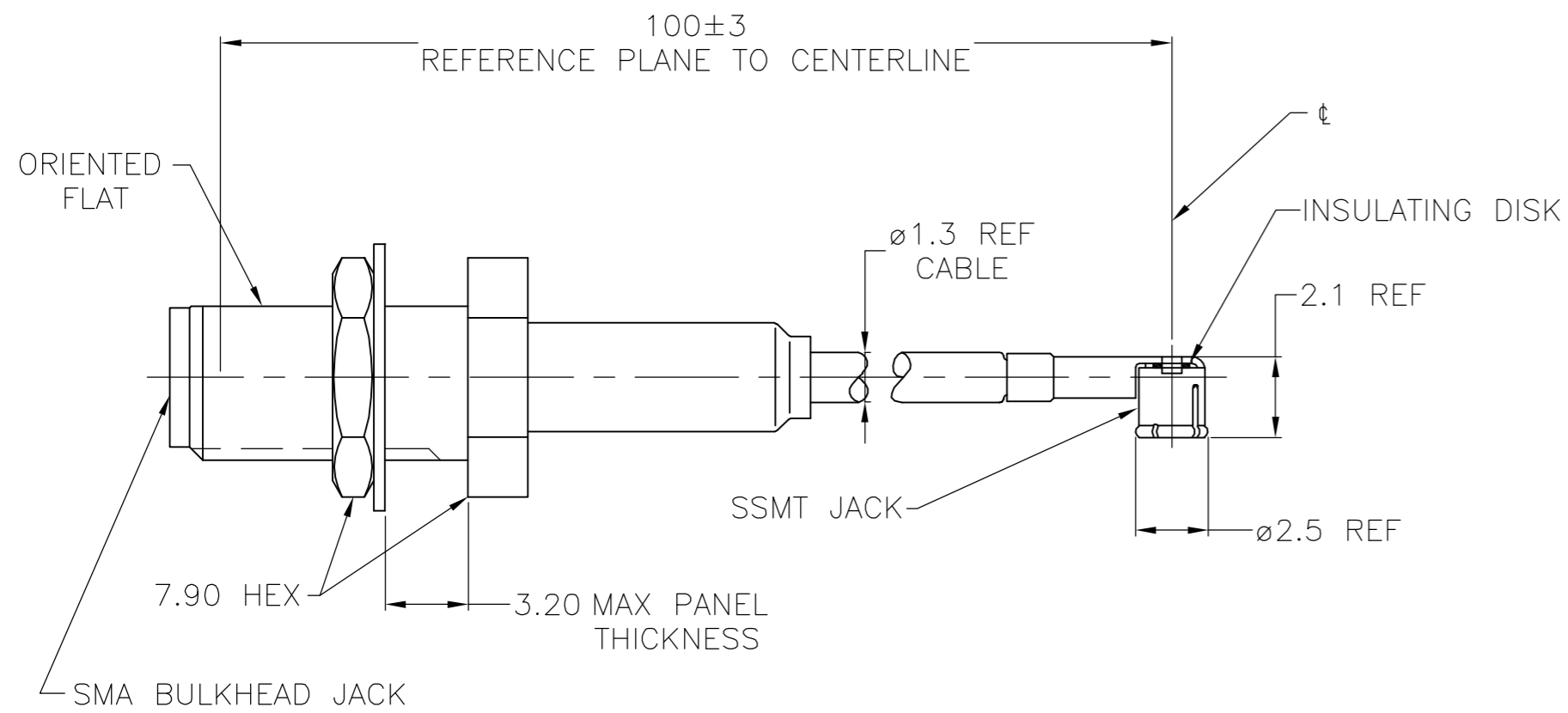


THIS DRAWING IS UNPUBLISHED. RELEASED FOR PUBLICATION
 © COPYRIGHT BY TYCO ELECTRONICS CORPORATION. ALL RIGHTS RESERVED.

LOC	DIST	REVISIONS			
P	LTR	DESCRIPTION	DATE	DWN	APVD
AJ	17	B	REVISED PER EC OS14-0098-05	11MAY2006	KS KW



RECOMENDED MOUNTING HOLE

- PERFORMANCE SHOWN FOR SSMT CONNECTOR AND CABLE ONLY. FOR CABLE ASSEMBLY DATA CONSULT FACTORY.
- FLAT ORIENTED AS SHOWN TO WITHIN 90°±30° OF SSMT CENTERLINE

COMPONENT	MATERIAL	FINISH
SMA CONNECTOR		
HOUSING & COUPLING NUT	STAINLESS STEEL	PASSIVATE
CENTER CONTACT	BERYLLIUM COPPER	GOLD PLATE
INNER CONTACT	BERYLLIUM COPPER	GOLD PLATE
DIELECTRIC	TETRAFLUOROETHYLENE (TFE)	N/A
RETAINING RING	BERYLLIUM COPPER	N/A
GASKET	SILICONE RUBBER	N/A
FERRULE	COPPER OR BRASS	NICKEL PLATE
SHRINK TUBING	HEAT SHRINKABLE POLYOLEFIN COMPOUND	N/A
SSMT CONNECTOR		
OUTER CONTACT	BERYLLIUM COPPER	GOLD PLATE OVER NICKEL PLATE
CENTER CONTACT	BERYLLIUM COPPER	GOLD PLATE OVER NICKEL PLATE
DIELECTRIC	POLYPROPYLENE, GF	N/A
CABLE		
JACKET	FLUORINATED ETHYLENE PROPYLENE (FEP)	N/A
SHIELD	COPPER WIRE, 44 AWG	SILVER PLATED
DIELECTRIC	POLYTETRAFLUOROETHYLENE (PTFE)	N/A
CENTER CONDUCTOR	COPPER CLAD STEEL, 30 AWG	SILVER PLATED
INSULATING DISK	POLYESTER	N/A

1064544-1
PART NUMBER

ELECTRICAL	MECHANICAL	ENVIRONMENTAL
FREQUENCY NOMINAL IMPEDENCE VOLTAGE RATING	VSWR (MATED CONNECTORS ONLY)	TEMPERATURE RATING
DC - 6 GHz 50 OHMS 250 VOLTS (VRMS MAX) @ SEA LEVEL	1.20:1 MAX @ 2 GHz 1.40:1 MAX @ 6 GHz	-40°C(-40°F) TO +125°C(257°F)
INSULATION RESISTANCE DIELECTRIC WITHSTANDING VOLTAGE	CONNECTOR DURABILITY	
1,000 MEGOHMS MIN @ 250VDC 500 VOLTS (VRMS MIN) @ SEA LEVEL	100 MATING CYCLES	

PRODUCT SPEC

THIS DRAWING IS A CONTROLLED DOCUMENT.		DWN DK SCHRUM 11MAY2006	Tyco Electronics Corporation Harrisburg, PA 17105-3608	
DIMENSIONS: mm		CHK KE WEIDNER 11MAY2006	NAME SSMT RIGHT ANGLE JACK TO SMA BULKHEAD JACK INTERSERIES CABLE ASSEMBLY	
TOLERANCES UNLESS OTHERWISE SPECIFIED:		APVD KE WEIDNER 11MAY2006	SIZE A2 CAGE CODE 00779 DRAWING NO C=1064544	
0 PLC ± -		PRODUCT SPEC	RESTRICTED TO	
1 PLC ± -		APPLICATION SPEC	SCALE 4:1 SHEET 1 OF 1 REV B	
2 PLC ± -		WEIGHT -		
3 PLC ± -		CUSTOMER DRAWING		
4 PLC ± -				
ANGLES ± -				
FINISH -				