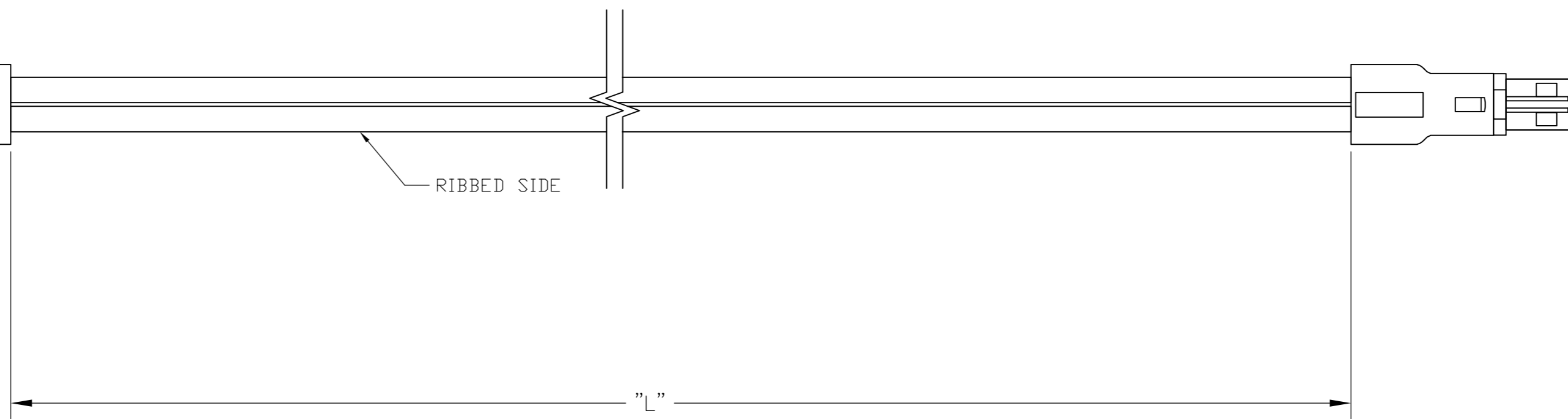
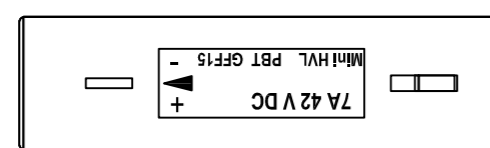
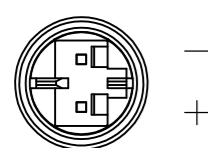


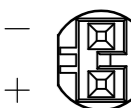
THIS DRAWING IS UNPUBLISHED. RELEASED FOR PUBLICATION
 © COPYRIGHT - By - ALL RIGHTS RESERVED.

| LOC | | DIST | | REVISIONS | | | |
|-----|----|------|-----|-----------------|-----------|-----|------|
| GP | 00 | P | LTR | DESCRIPTION | DATE | DWN | APVD |
| | | A | | INITIAL RELEASE | 01/AUG/11 | ECC | PB |

LV-2



LV-2

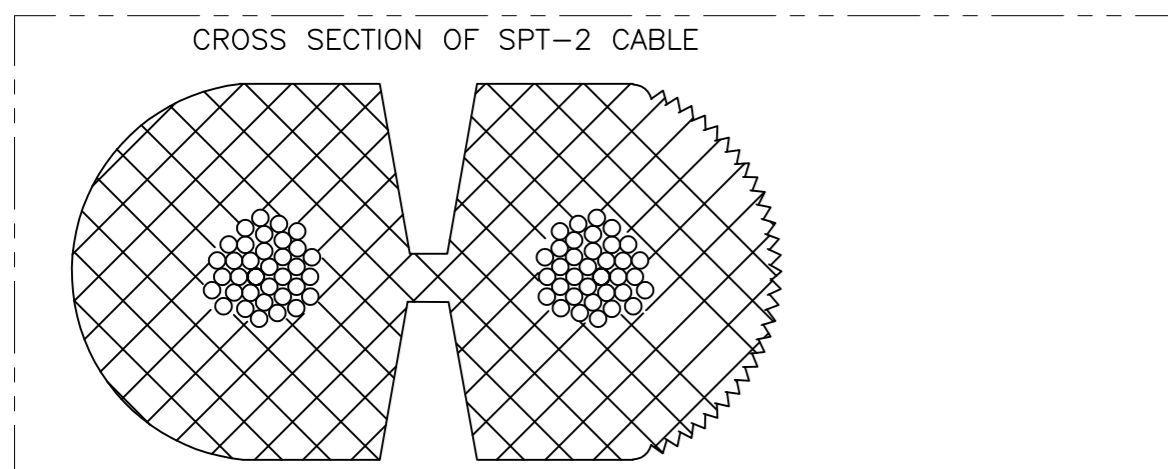


1. PACKAGING ACC. TO TE SPEC.107-18032
BUNDLE EVERY 25 ASSEMBLIES WITH A RUBBER BAND
2. ELECTRICAL TEST CONTAINING "SHORT CIRCUIT TEST, CONTINUITY AND ACCURATE CAVITY ASSIGNMENT TEST" ACC. TO TE-SPEC.108-18857, SUBSECTION 3.1.1

3 WIRING SCHEDULE AS SHOWN

| WIRING SCHEDULE 3 | | | |
|--------------------------|---|--------|------|
| OUTLET | | SIDE | PLUG |
| 1 | + | RIBBED | 1 |
| 2 | - | SMOOTH | 2 |

| | | |
|---------|---------------------|-----------|
| 16.0 FT | ±3.84 | 2181192-8 |
| 14.0 FT | ±3.36 | 2181192-7 |
| 12.0 FT | ±2.88 | 2181192-6 |
| 10.0 FT | ±2.4 | 2181192-5 |
| 8.0 FT | ±1.92 | 2181192-4 |
| 6.0 FT | ±1.44 | 2181192-3 |
| 4.0 FT | ±.96 | 2181192-2 |
| 2.0 FT | ±.48 | 2181192-1 |
| "L" | TOLERANCES [INCHES] | TE P/N |



| | | | | |
|--|--|------------------------------------|--|--|
| THIS DRAWING IS A CONTROLLED DOCUMENT. | | DWN E.C. CLAYBAUGH 16/JUN/11 | TE TE Connectivity | |
| DIMENSIONS: INCHES | | CHK P. BECKER 13/JUL/11 | | |
| TOLERANCES UNLESS OTHERWISE SPECIFIED: | | APVD P. BECKER 01/AUG/11 | NAME CABLE ASSEMBLY, NECTOR, LV-2, OUTLET TO PLUG | |
| 0 PLC ± - | | PRODUCT SPEC | SIZE | |
| 1 PLC ± - | | APPLICATION SPEC | CAGE CODE | |
| 2 PLC ± - | | | DRAWING NO | |
| 3 PLC ± - | | | RESTRICTED TO | |
| 4 PLC ± - | | | A2 00779 C-2181192 | |
| ANGLES ± - | | WEIGHT | SCALE | |
| FINISH | | | N.T.S. | |
| MATERIAL | | CUSTOMER DRAWING | SHEET 1 of 1 | |
| | | | REV A | |