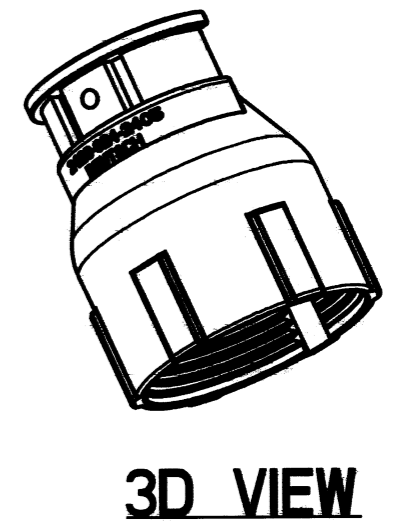
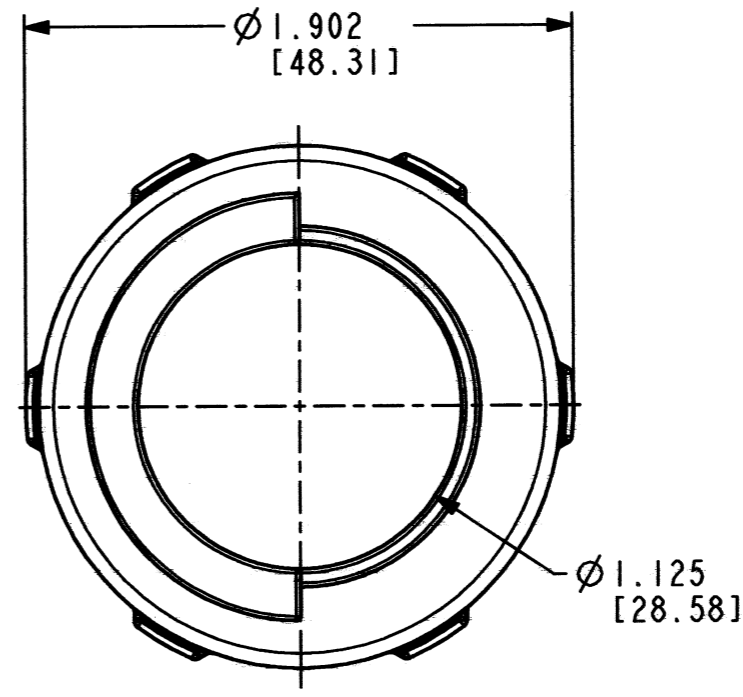
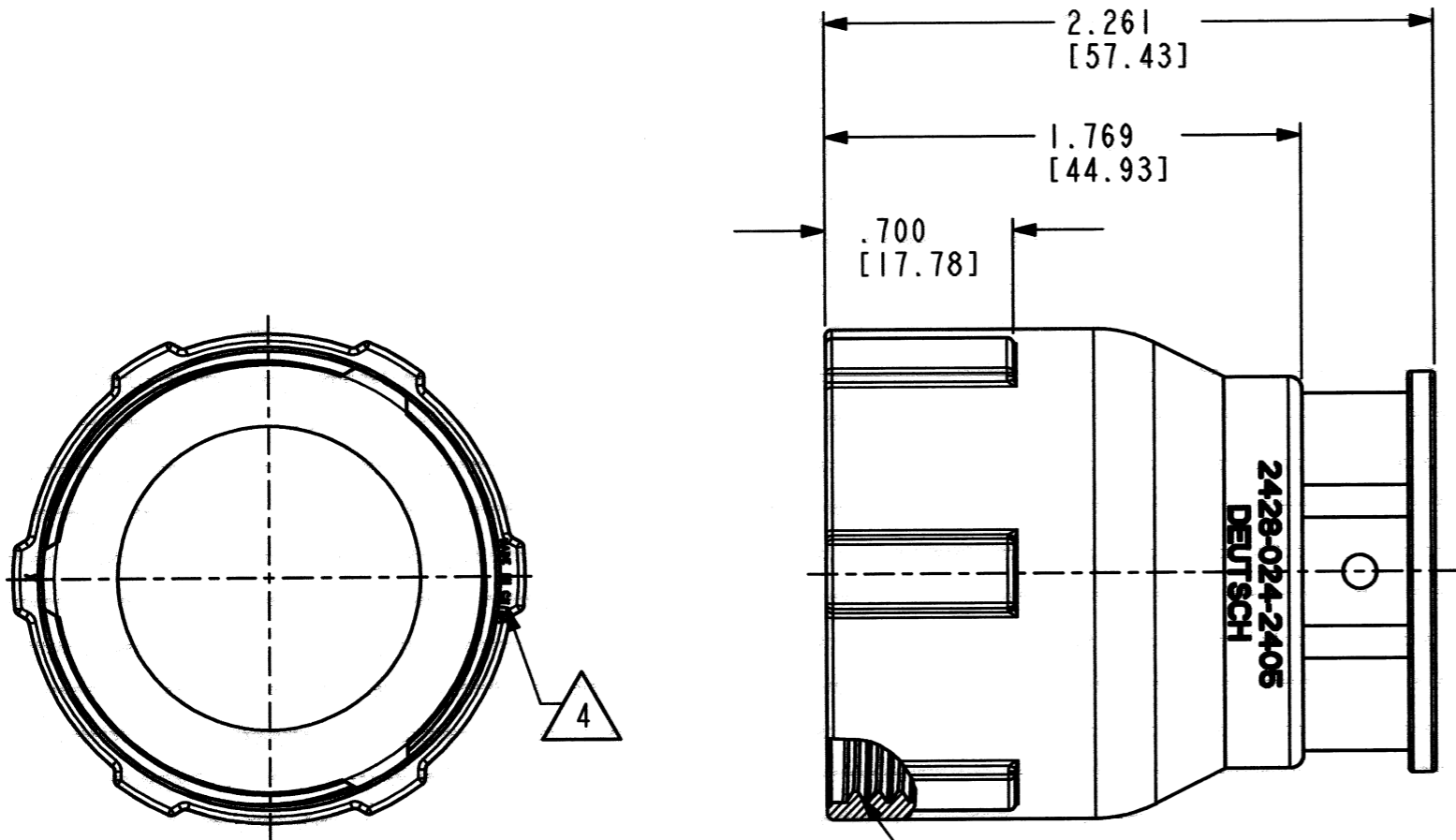


REV  
NC 2428-024-2405

REVISIONS			
SYM	DESCRIPTION	DATE	APPROVED
NC	NEW RELEASE PER E.O. P21414	8/24/12	DM



(1 11/16-12UN-2B)

**SECTION A-A**

4. COUNTRY OF ORIGIN IF OTHER THAN USA.  
EXAMPLE: MADE IN CHINA

3. MATERIAL: PLASTIC.


2. ALL DIMENSIONS ARE .025 [0.64] UNLESS OTHERWISE SPECIFIED.

NOTES: 1. ALL DIMENSIONS ARE IN INCHES [MILLIMETERS].

	SIGNATURE & DATE
DR	I. GRANTCHAROVA 7/13/12
CHK	<i>[Signature]</i> 8/23/12
PE	<i>[Signature]</i> 8/23/12
APPD	DM 8/24/12
SCALE	NONE

**BACKSHELL  
HDP SIZE 24  
-L024**

**ENVELOPE**

EP	MATL. CODE
 3850 INDUSTRIAL AVE. HEMET, CA 92545 <b>DEUTSCH</b> INDUSTRIAL	
<b>B</b>	<b>2428-024-2405</b>
DWG SIZE	CODE 11139 SHEET   OF

