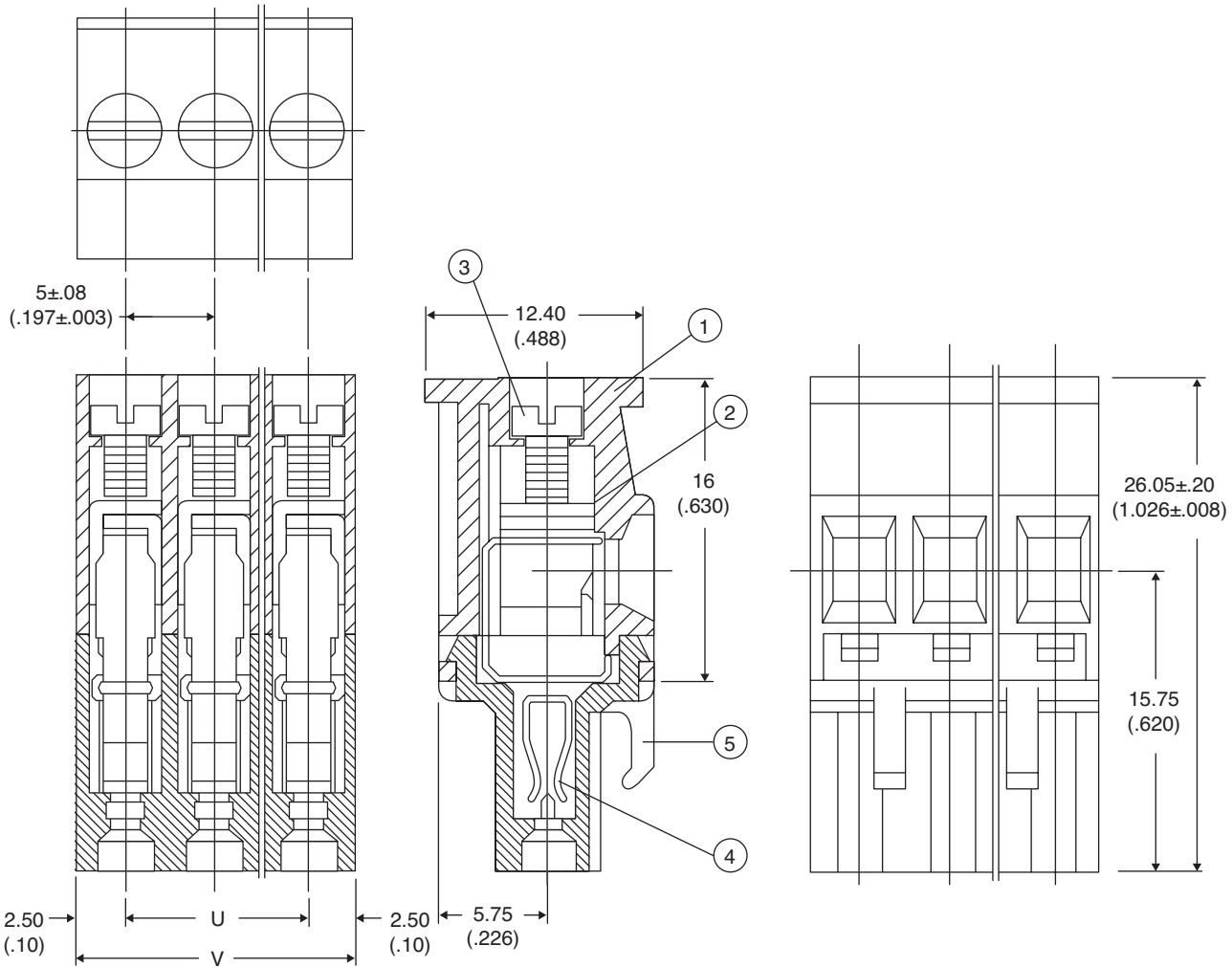


Terminal Block Plugs

158-P025ESDPP-E, 158-P035ESDPP-E, 158-P045ESDPP-E, 158-P055ESDPP-E,
 158-P065ESDPP-E, 158-P075ESDPP-E, 158-P085ESDPP-E, 158-P095ESDPP-E,
 158-P105ESDPP-E, 158-P115ESDPP-E, 158-P125ESDPP-E



Terminal Block Plugs



Dimensions: mm (in.)

P	02P	03P	04P	05P	06P	07P	08P	09P	10P	11P	12P
U mm	5.00	10.00	15.00	20.00	26.00	30.00	35.00	40.00	45.00	50.00	55.00
V mm	10.00	15.00	20.00	25.00	30.00	35.00	40.00	45.00	50.00	55.00	60.00

ELECTRICAL SPECIFICATIONS	
Rating:	300V 15A
Pitch:	5.00 mm
Insulation withstands voltage:	AC 2000V/Min
Insulation resistance:	500MΩ or more at DC500V
Temperature range:	-40°C~ +105°C
Screw torque value:	4kgf - cm (max.)
Electric wire:	28 ~ 12 AWG

MATERIAL SPECIFICATIONS	
Base housing (5):	PA66, Green
Clamp (4):	Bronze, Solder Plated
Screw (3):	Steel, M2.5 Zinc Plated
Wire cage (2):	Steel, M2.5 Zinc Plated
Top Housing (1):	PA66, Green
RoHS Compliant	

Date Last Revised: 3-7-07

Available from Mouser Electronics
 1-800-346-6873 / www.mouser.com

KC-301123

Specifications are subject to change without notice. No liability or warranty implied by this information. Environmental compliance based on producer documentation.

158-P025ESDPP-E, 158-P035ESDPP-E, 158-P045ESDPP-E, 158-P055ESDPP-E,
 158-P065ESDPP-E, 158-P075ESDPP-E, 158-P085ESDPP-E, 158-P095ESDPP-E,
 158-P105ESDPP-E, 158-P115ESDPP-E, 158-P125ESDPP-E