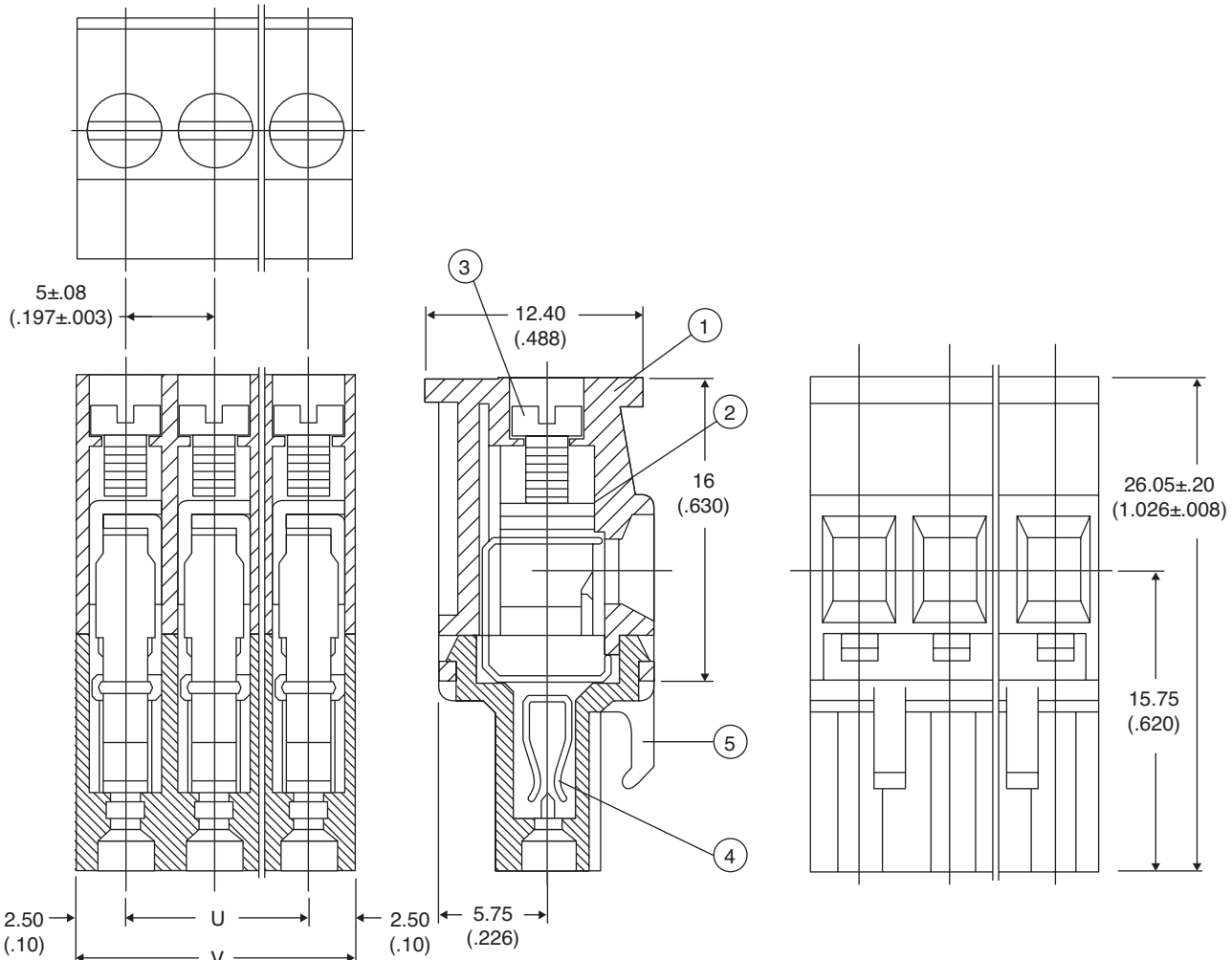


# Terminal Block Plugs

158-P025ESDPP-E, 158-P035ESDPP-E, 158-P045ESDPP-E, 158-P055ESDPP-E,  
158-P065ESDPP-E, 158-P075ESDPP-E, 158-P085ESDPP-E, 158-P095ESDPP-E,  
158-P105ESDPP-E, 158-P115ESDPP-E, 158-P125ESDPP-E



Terminal Block Plugs



Dimensions: mm (in.)

P	02P	03P	04P	05P	06P	07P	08P	09P	10P	11P	12P
U mm	5.00	10.00	15.00	20.00	26.00	30.00	35.00	40.00	45.00	50.00	55.00
V mm	10.00	15.00	20.00	25.00	30.00	35.00	40.00	45.00	50.00	55.00	60.00

## ELECTRICAL SPECIFICATIONS

<b>Rating:</b>	300V 15A
<b>Pitch:</b>	5.00 mm
<b>Insulation withstands voltage:</b>	AC 2000V/Min
<b>Insulation resistance:</b>	500MΩ or more at DC500V
<b>Temperature range:</b>	-40°C~ +105°C
<b>Screw torque value:</b>	4kgf - cm (max.)
<b>Electric wire:</b>	28 ~ 12 AWG

## MATERIAL SPECIFICATIONS

<b>Base housing (5):</b>	PA66, Green
<b>Clamp (4):</b>	Bronze, Solder Plated
<b>Screw (3):</b>	Steel, M2.5 Zinc Plated
<b>Wire cage (2):</b>	Steel, M2.5 Zinc Plated
<b>Top Housing (1):</b>	PA66, Green
RoHS Compliant	

Date Last Revised: 3-7-07

Available from Mouser Electronics  
1-800-346-6873 / [www.mouser.com](http://www.mouser.com)

KC-301123

Specifications are subject to change without notice. No liability or warranty implied by this information. Environmental compliance based on producer documentation.

158-P025ESDPP-E, 158-P035ESDPP-E, 158-P045ESDPP-E, 158-P055ESDPP-E,  
158-P065ESDPP-E, 158-P075ESDPP-E, 158-P085ESDPP-E, 158-P095ESDPP-E,  
158-P105ESDPP-E, 158-P115ESDPP-E, 158-P125ESDPP-E