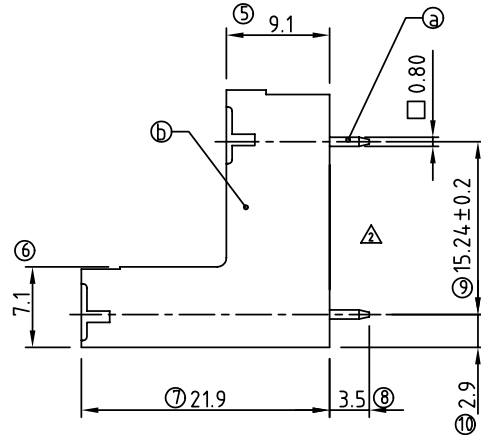
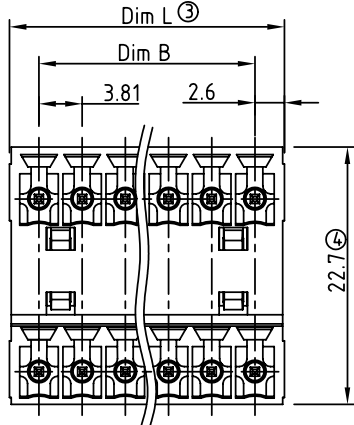


RECOMMENDED PCB LAYOUT



SIGN	DATE	DESCRIPTION	APPROVER
△	1/30'07	Soldering temperature changed from 245° to 250°	Tony
△	6/04'07	Body is changed from open type to close type	Marvin
△	04/08'09	The current rating and operating temperature are changed	Jacke
△	04/08'09	Add UL standard	Jacke

THIS IS CAD DRAWING, DO NOT REVISE MANUALLY!!!

Material:

- Item (a) Contact pin: Copper Tin plated
- Item (b) Terminal(housing): PA66 (UL94V-0)

Electrical: cULus

- Voltage rating: 300V
- Current rating: 10A
- Withstanding Voltage: 1.6 KV
- Operating temperature: -40°C to +115°C
- Soldering temperature: 250°C±10°C/5 Sec
- Safety Approval: us

VO xx 3 1 x 0 xxxx G

No. OF POLES
04: 2x2 POLES
:
48: 2x24 POLES

Color
0 Black (RAL9005)
2 Red (RAL3001/D)
3 Orange(RAL2011/P)
4 Yellow(RAL1018/A)
5 Green(RAL6018/T)
6 Blue (RAL5015/A)
8 Grey(RAL7035/D)

G: Pb<40000ppm
0000: "@ " Logo (Standard)
000A: "ANYTEK" Mark
Any special item by customer request. please contact sales department.

Poles	2x2p	2x3p	2x4p	2x5p	2x6p	2x7p	2x8p	2x9p	2x10p	2x11p	2x12p	2x13p
Dim L	9.01	12.82	16.63	20.44	24.25	28.06	31.87	35.68	39.49	43.30	47.11	50.92
Dim B	3.81	7.62	11.43	15.24	19.05	22.86	26.67	30.48	34.29	38.10	41.91	45.72
TOL	±0.15			±0.20				±0.25				
Poles	2x14p	2x15p	2x16p	2x17p	2x18p	2x19p	2x20p	2x21p	2x22p	2x23p	2x24p	
Dim L	54.73	58.54	62.35	66.16	69.97	73.78	77.59	81.40	85.21	89.02	92.83	
Dim B	49.53	53.34	57.15	60.96	64.77	68.58	72.39	76.20	80.01	83.82	87.63	
TOL	±0.25		±0.30				±0.35					

ANYTEK				CUSTOMER COPY			
ALL RIGHTS RESERVED. REPRODUCTION OR ISSUE TO THIRD PARTIES IN ANY FORM WHATSOEVER IS NOT PERMITTED WITHOUT WRITTEN AUTHORITY FROM THE PROPRIETOR. PROPERTY OF ANYTEK TECHNOLOGY CO., LTD							
TITLE		VO-3.81 Series Vertical					
PART NO.		VOxx31x0xxxxG		DWG NO.		8V00101	
APPROVED		CHECKED		DESIGNED		DRAWN	
		Jacke 2009.04.08		Jacke 2009.04.08		CUST NO.	
						Tolerance	
						X. ±0.50	
						X.X ±0.30	
						X.XX ±0.10	
						X° ±1°	
				SHEET: 01/01		REV.: F	