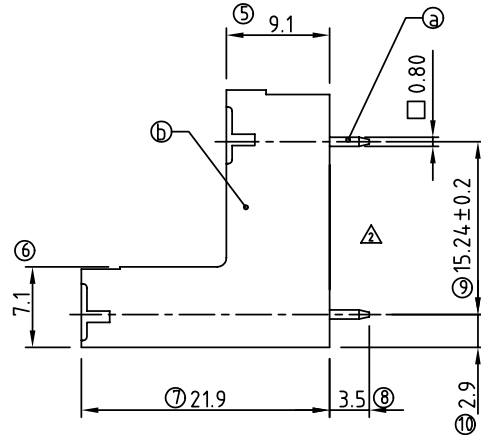
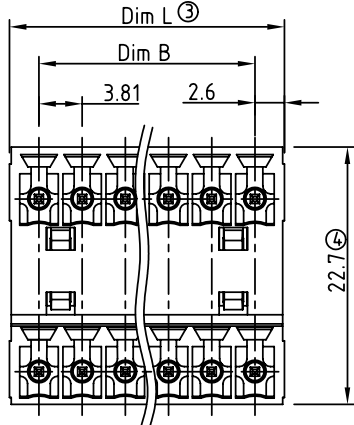


RECOMMENDED PCB LAYOUT



SIGN	DATE	DESCRIPTION	APPROVER
△	1/30'07	Soldering temperature changed from 245° to 250°	Tony
△	6/04'07	Body is changed from open type to close type	Marvin
△	04/08'09	The current rating and operating temperature are changed	Jacke
△	04/08'09	Add UL standard	Jacke

THIS IS CAD DRAWING, DO NOT REVISE MANUALLY!!!

Material:

- Item (a) Contact pin: Copper Tin plated
- Item (b) Terminal(housing): PA66 (UL94V-0)

Electrical: cULus

- Voltage rating: 300V
- Current rating: 10A
- Withstanding Voltage: 1.6 KV
- Operating temperature: -40°C to +115°C
- Soldering temperature: 250°C±10°C/5 Sec
- Safety Approval: us

VO xx 3 1 x 0 xxxx G

No. OF POLES  
04: 2x2 POLES  
:  
48: 2x24 POLES

Color  
0 Black (RAL9005)  
2 Red (RAL3001/D)  
3 Orange(RAL2011/P)  
4 Yellow(RAL1018/A)  
5 Green(RAL6018/T)  
6 Blue (RAL5015/A)  
8 Grey(RAL7035/D)

G: Pb<40000ppm  
0000: "@ " Logo (Standard)  
000A: "ANYTEK" Mark  
Any special item by customer request. please contact sales department.

Poles	2x2p	2x3p	2x4p	2x5p	2x6p	2x7p	2x8p	2x9p	2x10p	2x11p	2x12p	2x13p
Dim L	9.01	12.82	16.63	20.44	24.25	28.06	31.87	35.68	39.49	43.30	47.11	50.92
Dim B	3.81	7.62	11.43	15.24	19.05	22.86	26.67	30.48	34.29	38.10	41.91	45.72
TOL	±0.15			±0.20				±0.25				
Poles	2x14p	2x15p	2x16p	2x17p	2x18p	2x19p	2x20p	2x21p	2x22p	2x23p	2x24p	
Dim L	54.73	58.54	62.35	66.16	69.97	73.78	77.59	81.40	85.21	89.02	92.83	
Dim B	49.53	53.34	57.15	60.96	64.77	68.58	72.39	76.20	80.01	83.82	87.63	
TOL	±0.25		±0.30				±0.35					

<b>ANYTEK</b>				<b>CUSTOMER COPY</b>			
ALL RIGHTS RESERVED. REPRODUCTION OR ISSUE TO THIRD PARTIES IN ANY FORM WHATSOEVER IS NOT PERMITTED WITHOUT WRITTEN AUTHORITY FROM THE PROPRIETOR. PROPERTY OF ANYTEK TECHNOLOGY CO., LTD							
TITLE		VO-3.81 Series Vertical					
PART NO.		VOxx31x0xxxxG		DWG NO.		8V00101	
APPROVED		CHECKED		DESIGNED		DRAWN	
		Jacke 2009.04.08		Jacke 2009.04.08		CUST NO.	
						Tolerance	
						X. ±0.50	
						X.X ±0.30	
						X.XX ±0.10	
						X° ±1°	
				SHEET: 01/01		REV.: F	