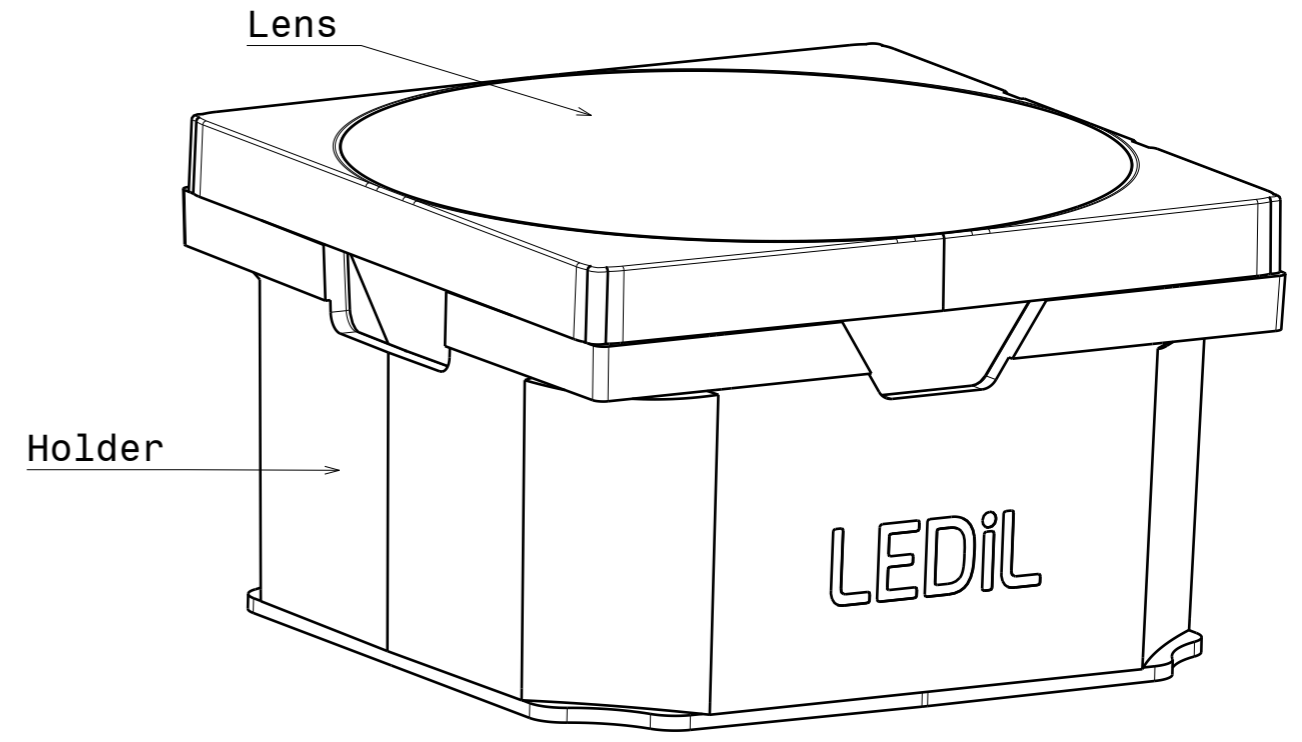
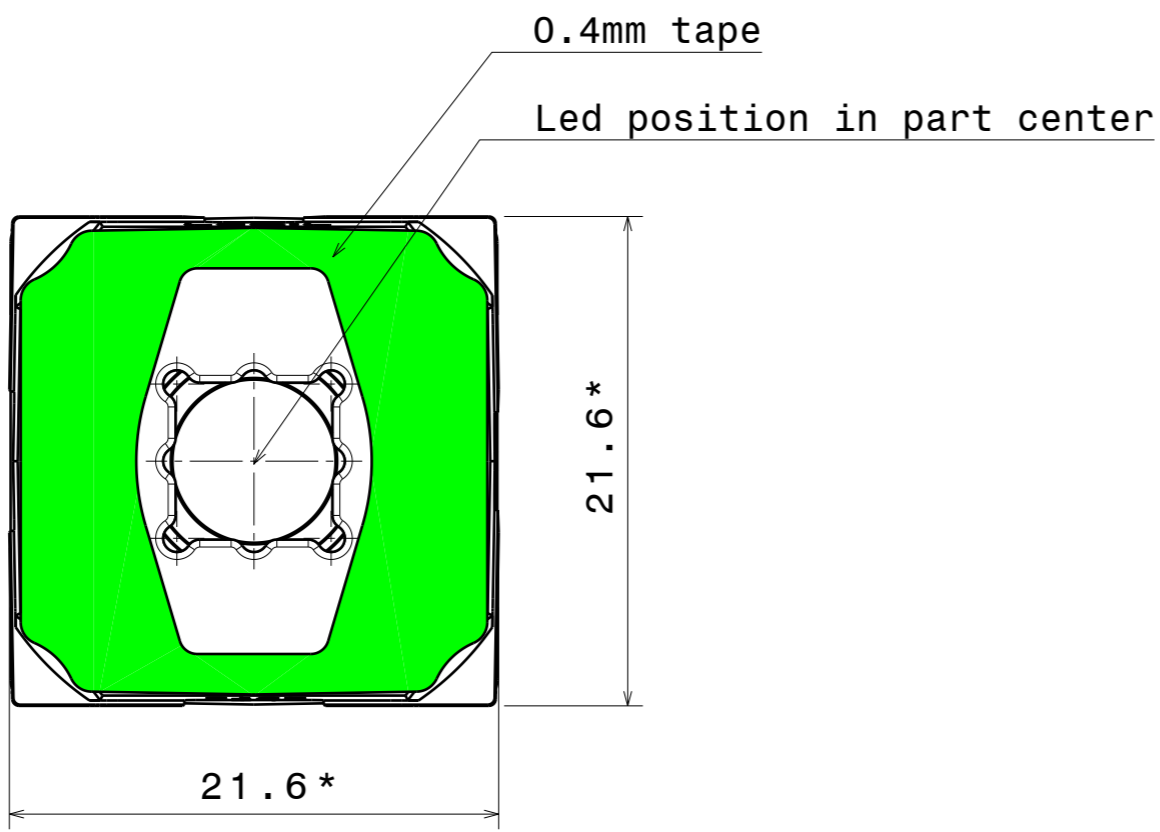


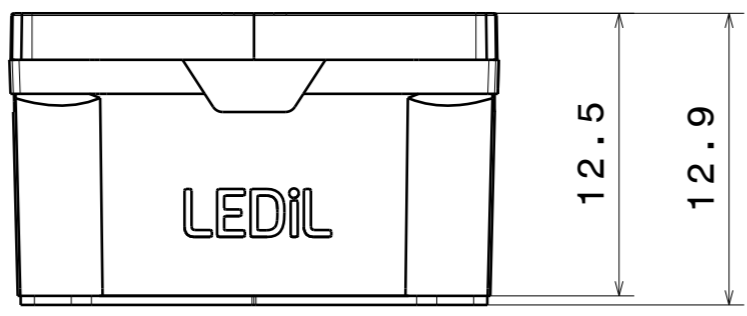
H G F E D C B A

Bottom view




Isometric view

Front view



*Local adhesive layer between lens and holder part ->
21.6mm tolerance according DIN ISO 2768-1 class C

| INDEX | PART NO | DESCRIPTION | MATERIAL | COLOUR |
|-------|----------|--------------|---|--------|
| 1 | FCA14464 | G2-NIS033U-W | Lens optical grade silicon / Holder PC black / Tape PU 2-sided adhesive foam tape | Black |

| | | | |
|---|--|---|--------------------------------|
| Tolerances if not otherwise shown According to DIN ISO 2768-1 Linear measures: class C. According to DIN ISO 2768-2 Form and position: class L | |  Ledil Oy Salorankatu 10 FIN 24240 SALO Finland | |
| THIRD ANGLE PROJECTION:  | | DRAWING TITLE FCA14464_G2-NIS033U-W | |
| This drawing is the property of LEDiL Oy. It may not be reproduced, copied or communicated without a written agreement with LEDiL Oy. | | SIZE A3 | PART NUMBER FCA14464 |
| | | SCALE 1:1 | WEIGHT SHEET 1/1 |

H G B A