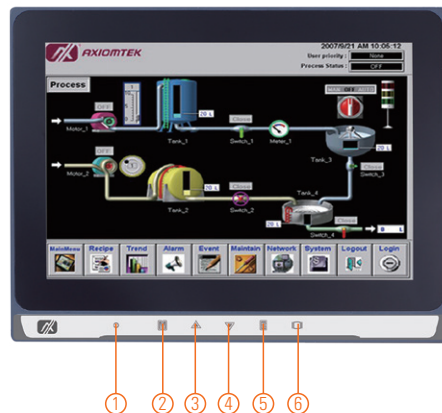


P6103W NEW

10.1" WXGA TFT Widescreen Industrial LCD Monitor

Features

- 10.1" WXGA TFT LED backlight LCD
- 10.1" projected capacitive multi-touch
- NEMA 4/12 (IP65)- compliant flat panel monitor
- Supports panel mount, wall mount and VESA arm
- Full range screw-type (locked) AC-in or 12V/24V DC-in (option)
- DVI-D, VGA and HDMI with multi-signal inputs



1. Power LED
2. Menu
3. SEL+
4. SEL-
5. Exit
6. Power switch



1. Power
2. T/S port
3. HDMI
4. DVI-D
5. VGA
6. Line-in

Introduction

The P6103W is an ultra slim industrial LCD monitor, which adopts 10.1-inch 350 nits WXGA LED backlight LCD display and supports multi-signal interfaces including DVI, VGA and HDMI. Featuring NEMA 4/12 & IP65 compliant front bezel, screw-type adaptor plug design, and 12/24V DC-in means it is fit for all kinds of industrial environments. Moreover, the P6103W supports panel mount, wall mount or VESA FPMPMI (Video Electronics Standards Association Flat Panel Monitor Physical Mounting Interface) mounting. With the compact mechanism design, users can enjoy free from space constraint. It is especially suitable for POI/POS, excellent HMI and all kinds of heavy-duty industrial fields.

Specifications

Front Bezel	NEMA 4/12 (IP65)-compliant, metal front bezel	
Mounting	Panel mount, wall mount or VESA arm FPMPMI mounting (video electronics standards association flat panel monitor physical mounting interface)	
LCD Panel	Display	10.1" WXGA TFT LCD
	Max. Resolution	1280 x 800
	Max. Colors	16.7 M
	Active Area (mm)	216.96 x 135.60
	Pixel Pitch (mm)	0.1695 x 0.1695
	Response Time	25ms
	Backlight	LED backlight
	Backlight MTBF	25,000 hrs
	Viewing Angle (H/V)	170°/170°
	Contrast Ratio	800 (TYP)
Brightness (cd/m ²)	350 nits	
Display Control	OSD (on screen display)	
Display Mode	VGA 640 x 350 (70Hz), VGA 640 x 480 (60/72/75Hz), VGA 720 x 400 (70Hz), SVGA 800 x 600 (60/72/75Hz), WXGA 1280 x 800 (60/72/75Hz)	

Specifications

Input Signal	DVI-D VGA HDMI Touchscreen: Serial RS-232 or USB interface
I/O Connectors	1 x RS-232 or USB for touchscreen version 1 x DVI-D 1 x VGA 1 x HDMI 1 x Screw-type DC power input
Power Adapter	Screw-type external AC/DC power adapter
Power Consumption	15 W
Touchscreen	Projected capacitive touch
Dimensions	260.8 mm (10.27") x 38 mm (1.5") x 194.1 mm (7.64")
Packing Dimensions	372 mm (14.65") x 99 mm (3.9") x 274 mm (10.79")
Weight (net/gross)	1.036 kg (2.28 lbs)/1.6 kg(3.53 lbs)
Environment	Operating temperature: 0°C ~ +50°C (+32°F ~ +122°F) Relative humidity: 20% ~ 90% @ +40°C, non-condensing
Packing List	1 x VGA cable 1 x RS-232 or USB cable for touchscreen (for touch version) 1 x Audio cable 1 x EU/US power cord (for AC version)
Certificate	CE

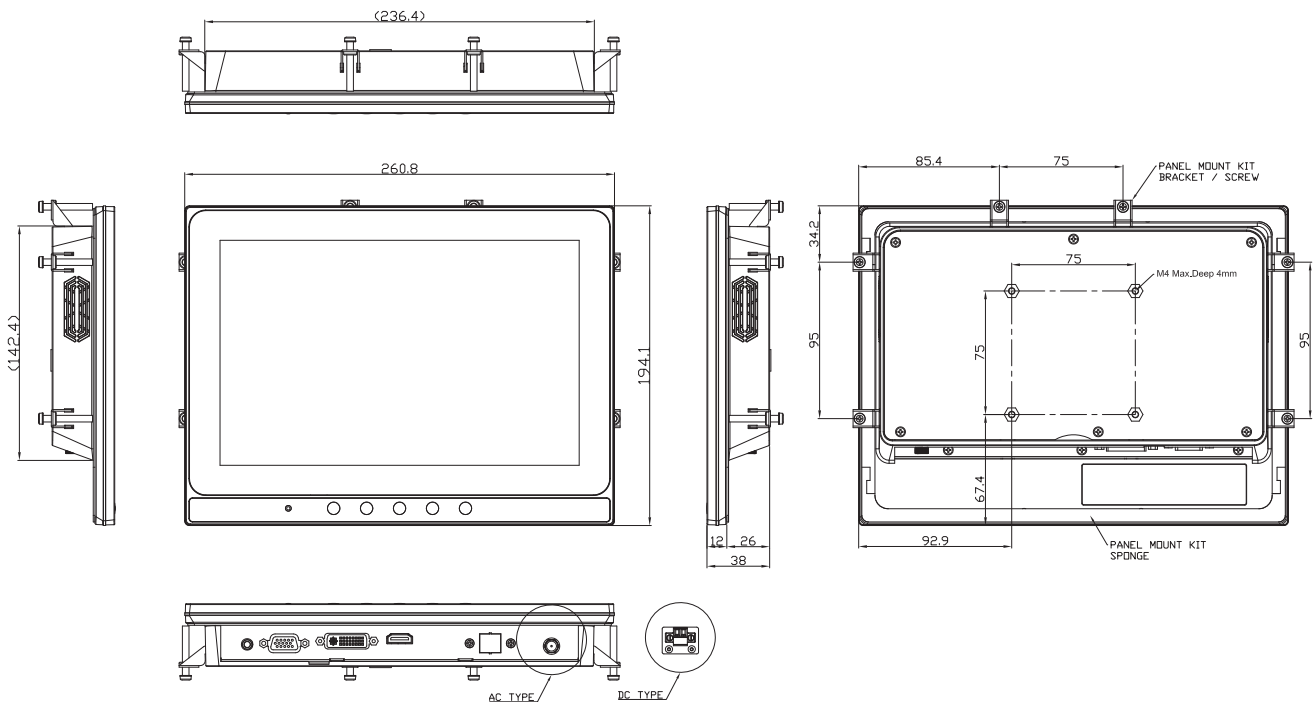
Ordering Information

AC Power	PCT (USB)	P6103WPC-AC-U-US-EU
	Glass	P6103WPG-AC-US-EU
24VDC Power (default) 12VDC Power (by jumper setting)	PCT (USB)	P6103WPC-24VDC-U
	Glass	P6103WPG-24VDC

Optional Accessories

5946L203800E	HDMI cable
5946L1713400E	DVI cable
82251031000E	Panel mount kit
82238460050E	Wall mount kit
E226171106	Desktop stand

Dimensions



Industrial
Touch
Monitors

0
1
2
3
4
5
6
7
8
9

