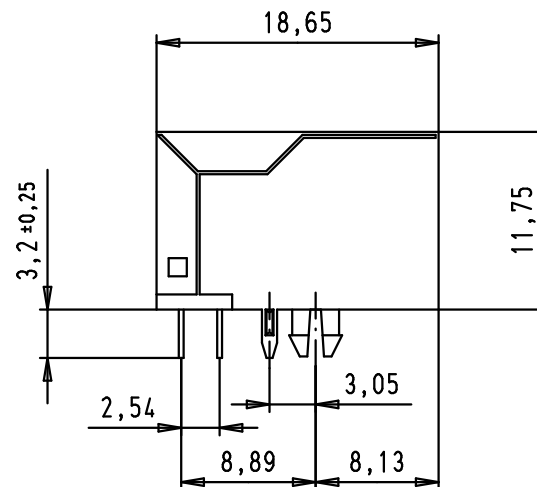
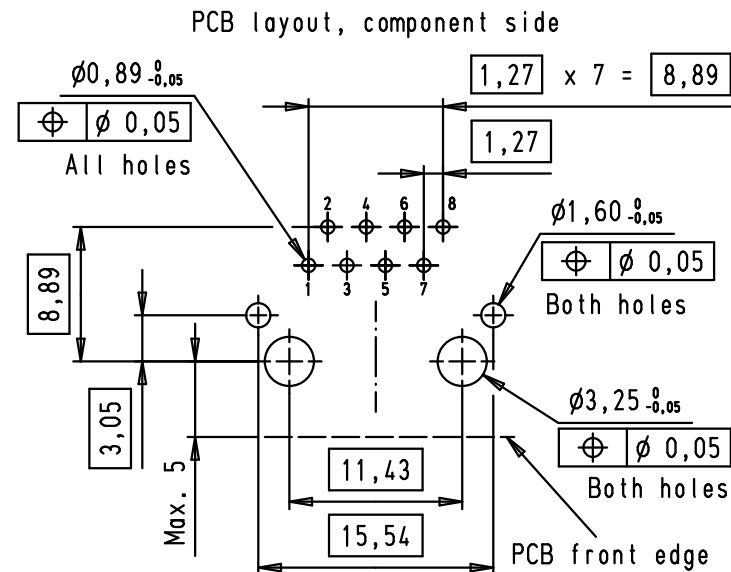
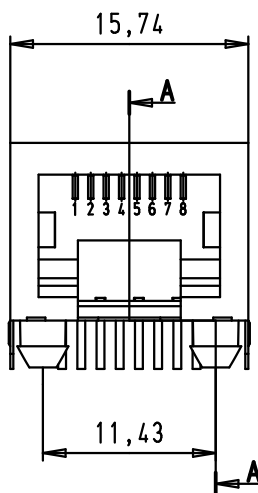
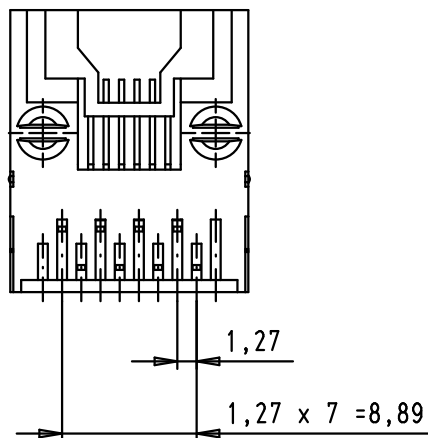
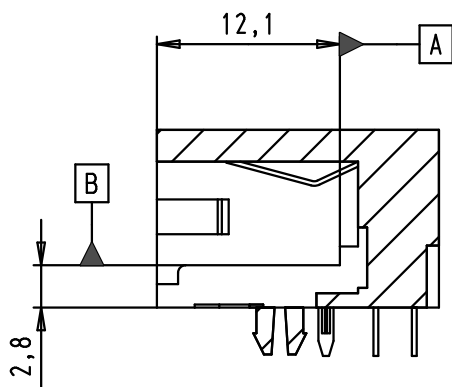


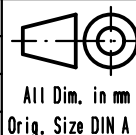
A-A



Material:
 Shielding: Copper alloy with nickel plating
 Insert: PBT, UL-94-V0, black
 Contact: -Phosphor Bronze, selective gold plating
 15 μ m, over nickel in contact area
 -Tin plating over nickel in solder area

Electrical and mechanical datas:
 RF performance Category 5 acc. ISO IEC 11 801:2002
 Temperature: -20°C to 70°C
 Min 500 mating cycles

35070	06/08/08	PK		Dot.	Name
34885	21/02/08	LP	Detail.	23/09/05	AM
33488	02/06/06	AM	Insp.		
33468	10/05/06	JFB	Stand.		
33426	08/02/06	AM	HARTING EURL F-95972 Paris		
33107	23/09/05	AM			
Mod.	Dot.	Name			



All Dim. in mm
 Orig. Size DIN A 4

Data 3a / Push Pull modular
 RJ 45 Jack
 with 8 signal solder pins and
 2 rear grounding solder pins

Maßstab/
 Scale

2:1

TB 09 45 551 1102

Blatt/ Page
 1 / 1