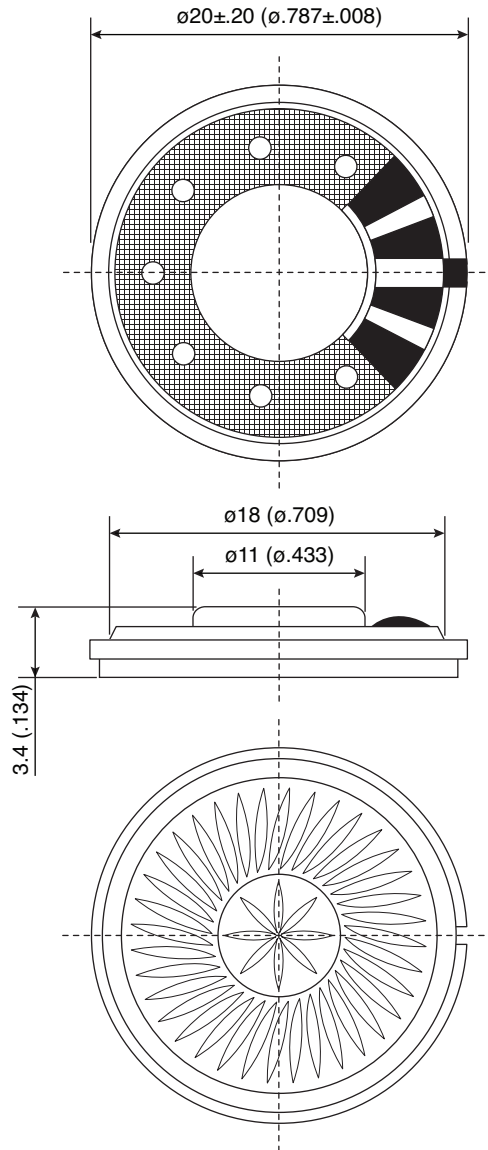
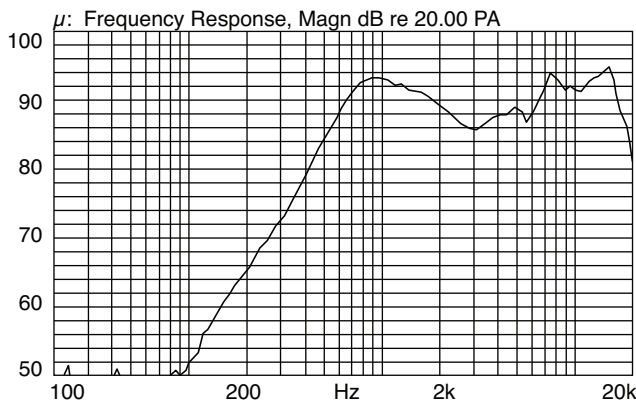


Part Number:

254-DS208-RO

Dynamic Speaker



KT-400346

Electrical Specifications:

- Rated Input Power: 0.5W
- Impedance: $8\Omega \pm 15\%$ at 1500 Hz
- Resonant Frequency (Fo): $800 \text{ Hz} \pm 20\%$ at FO, 1V
- Frequency Range: Fo - 20KHz
- Max. Input Power: Must be normal at 0.8W white noise for 1 minute.

Materials:

- Magnet: NdFeB

Mechanical Specifications:

- Operating Temperature: -20°C to $+70^{\circ}\text{C}$
- Storage Temperature: -30°C to $+75^{\circ}\text{C}$

Note:

- RoHS Compliant