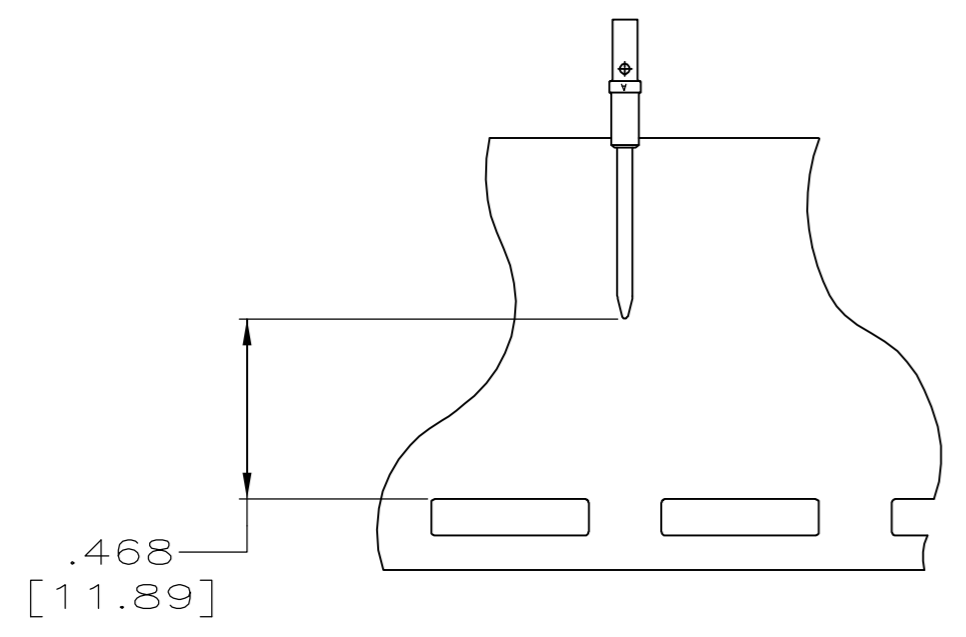
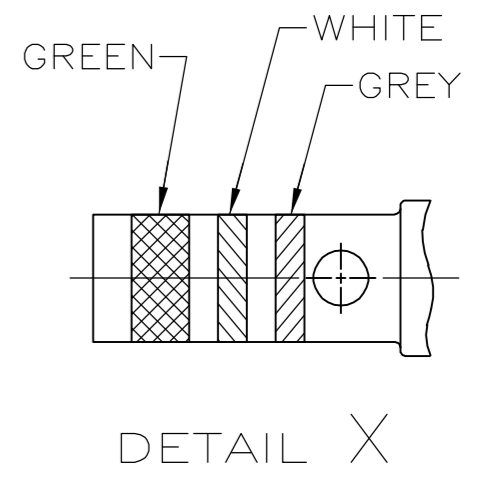
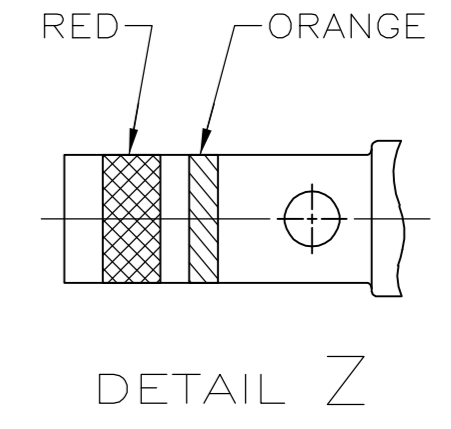
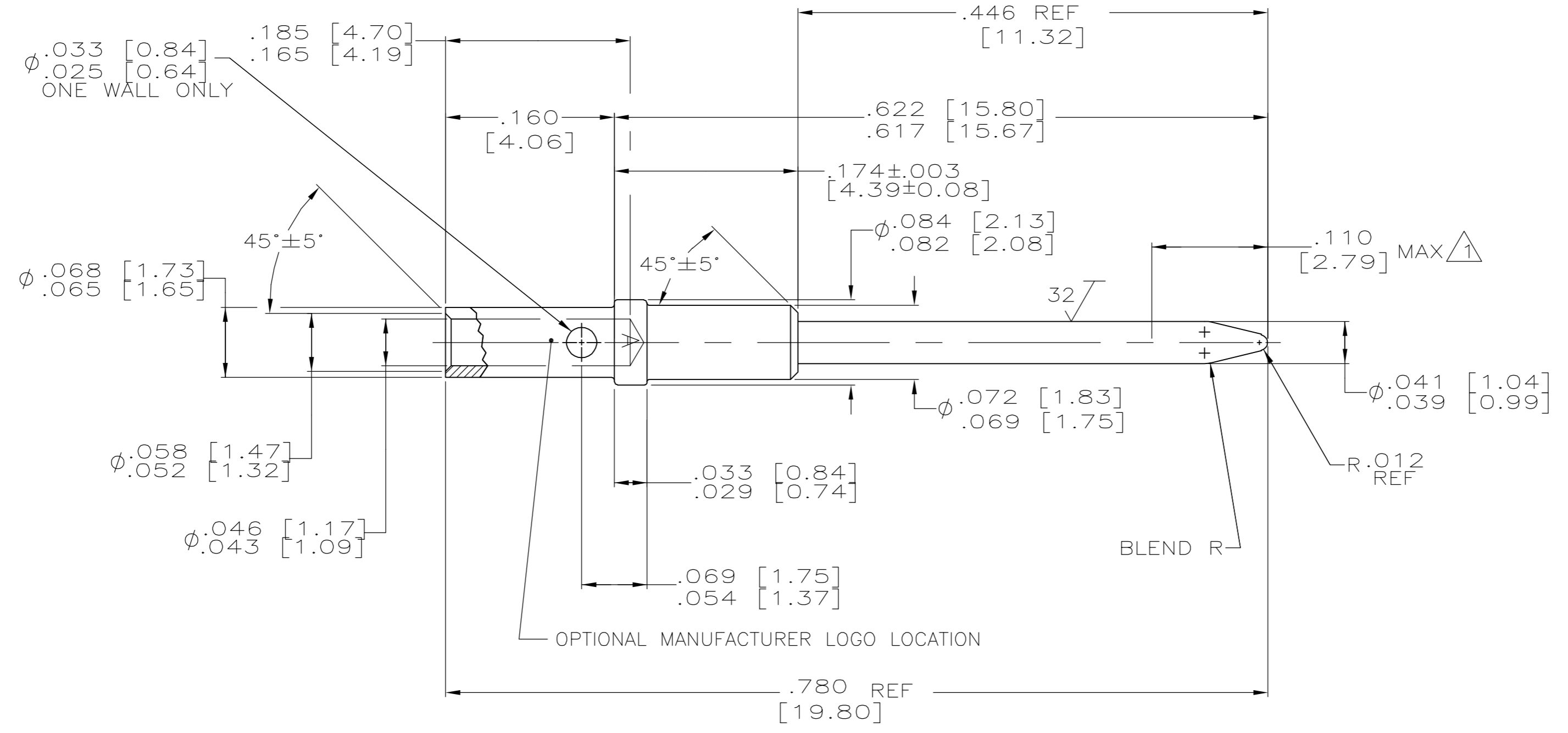


THIS DRAWING IS UNPUBLISHED. RELEASED FOR PUBLICATION
 © COPYRIGHT BY TYCO ELECTRONICS CORPORATION. ALL RIGHTS RESERVED.

LOC	DIST	REVISIONS					
DF	A0	P	LTR	DESCRIPTION	DATE	DWN	APVD
		H		REV PER EC 0H14-0154-04	23JAN06	TK	CT

- ① ELECTRICAL ENGAGEMENT POINT
- ② AS SHOWN
- ③ SAME AS -2 EXCEPT:
COLOR CODE PER DETAIL Z
- ④ SAME AS -2 EXCEPT:
COLOR CODE PER DETAIL X



TAPE MT'D ASS'Y
 (-3 ONLY)
 SCALE 2:1

OBSOLETE	④	208265-5
	-	208265-4
	③	208265-3
	②	208265-2
	DESCRIPTION	PART NUMBER

THIS DRAWING IS A CONTROLLED DOCUMENT.		DWN	J.A.Baker	02-11-99	 Tyco Electronics Corporation Harrisburg, PA 17105-3608
DIMENSIONS: INCHES		CHK	S.GLATFELTER	-	
TOLERANCES UNLESS OTHERWISE SPECIFIED:		APVD	S.GLATFELTER	-	NAME
0 PLC ± -		PRODUCT SPEC	-	-	
1 PLC ± -		APPLICATION SPEC	-	-	SIZE
2 PLC ± -		WEIGHT	-	-	
3 PLC ± .005 [0.13]		SCALE	A2	00779	CAGE CODE
4 PLC ± - 2'		CUSTOMER DRAWING	C=208265	-	
MATERIAL		FINISH	GOLD PER MIL-G-45204 OVER NICKEL PER QQ-N-290	DRAWING NO	RESTRICTED TO
LEADED COPPER		SCALE	10:1	SHEET	