

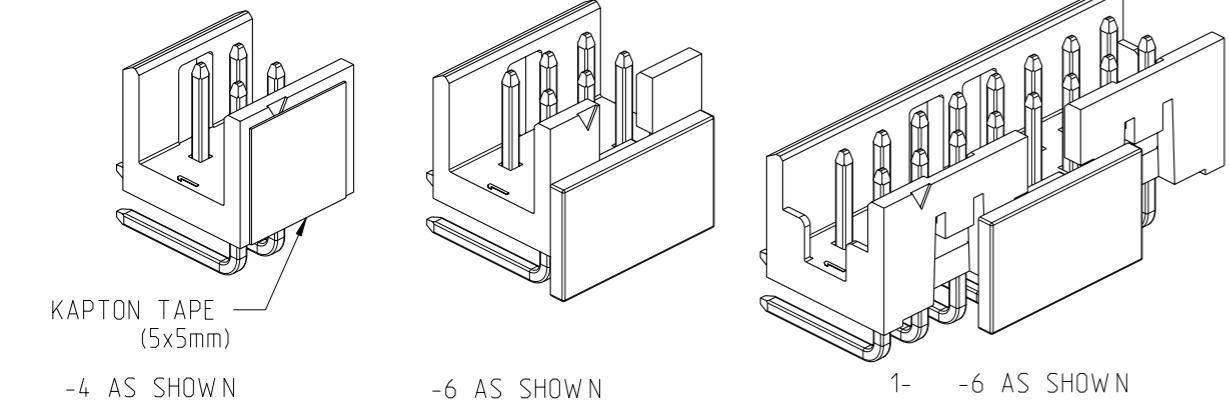
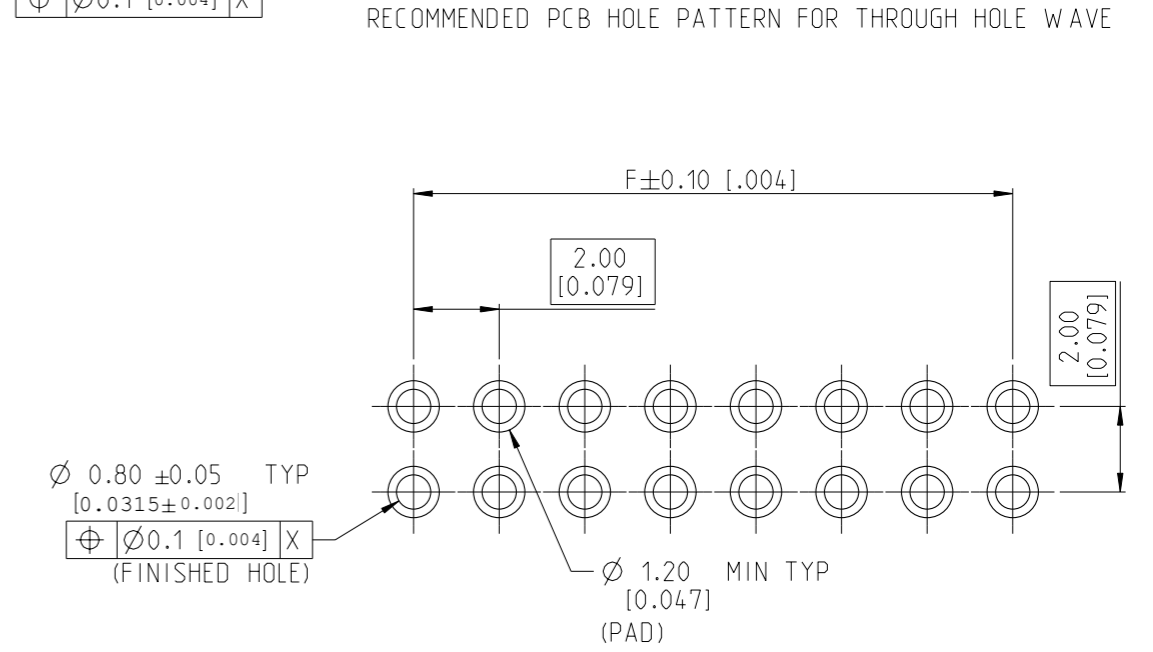
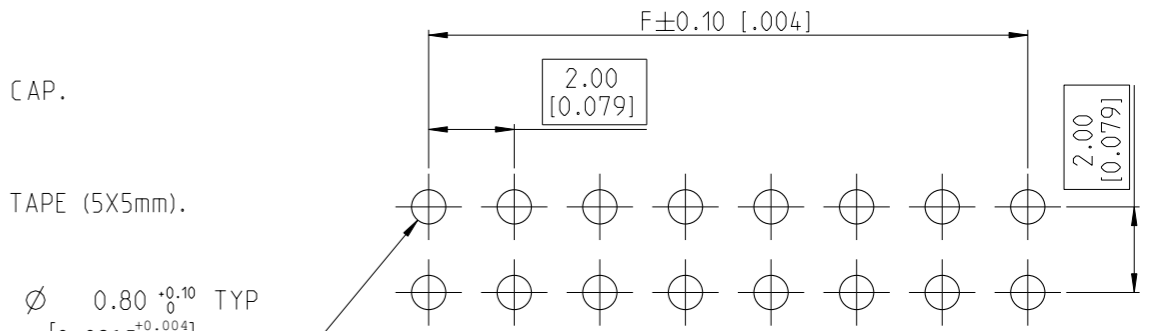
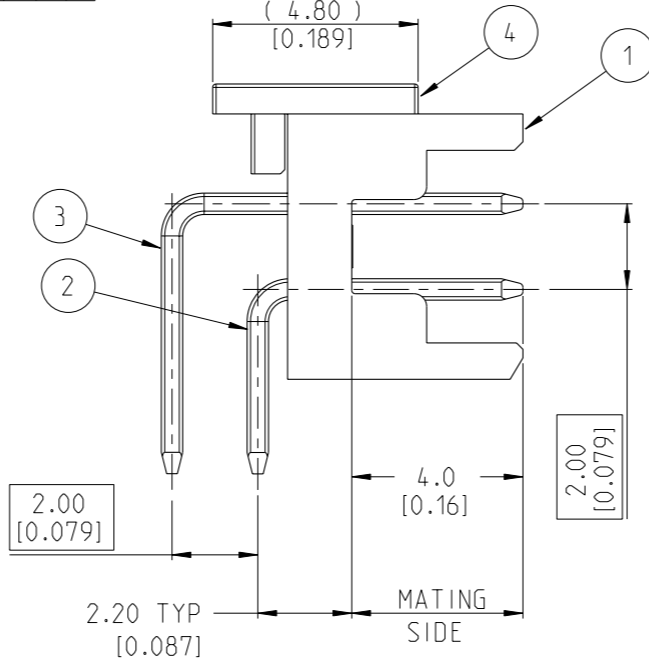
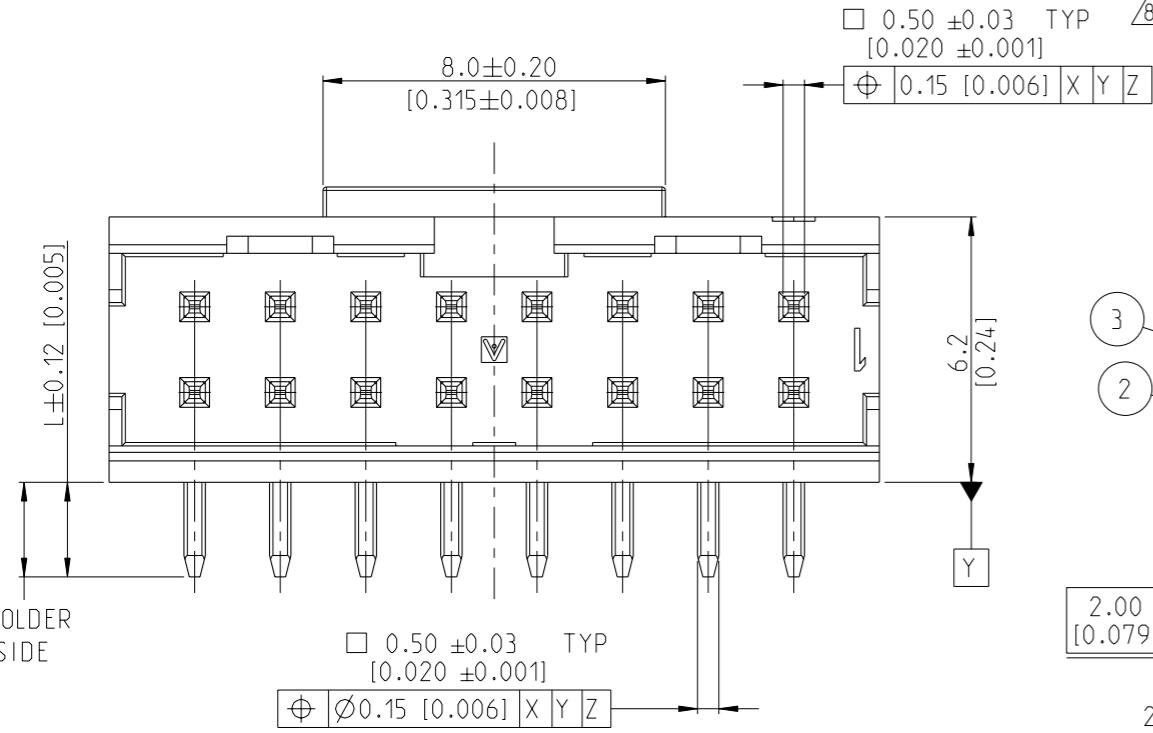
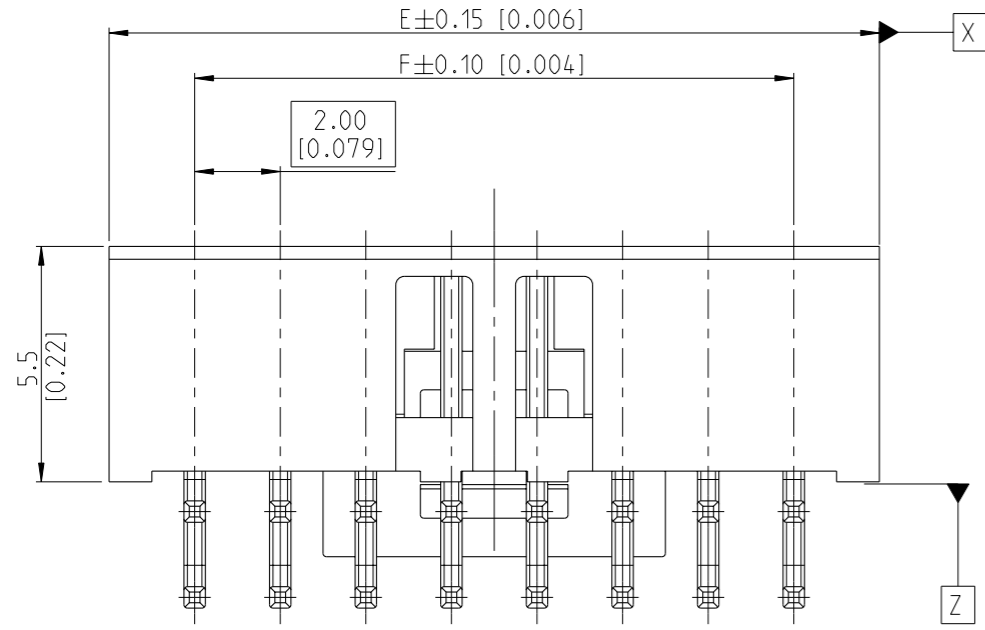
REVISIONS				
P	LTR	DESCRIPTION	DATE	APVD
A		RELEASE TO PRODUCTION	05OCT2018	RRN PS

NOTES:
 1. MATERIAL
 HOUSING & CAP : HIGH TEMPERATURE THERMOPLASTIC, UL94-V0;COLOR- BLACK
 POST : PHOSPHOR BRONZE

FINISH :
 2. 3 - 5µm (120 - 200µ") TIN OVER MIN 1.27µm (50µ") NICKEL UNDER PLATING
 3. MATING SIDE: MIN. 0.1µm (4µ") GOLD OVER MIN 1.27µm (50µ") NICKEL UNDER PLATING
 SOLDER SIDE: 3 - 5µm (120 - 200µ") TIN OVER MIN 1.27µm (50µ") NICKEL UNDER PLATING
 4. MATING SIDE: MIN 0.38µm (15µ") GOLD OVER MIN 1.27µm (50µ") NICKEL UNDER PLATING
 SOLDER SIDE: 3 - 5µm (120 - 200µ") TIN OVER MIN 1.27µm (50µ") NICKEL UNDER PLATING
 5. MATING SIDE: MIN 0.76µm (30µ") GOLD OVER MIN 1.27µm (50µ") NICKEL UNDER PLATING
 SOLDER SIDE: 3 - 5µm (120 - 200µ") TIN OVER MIN 1.27µm (50µ") NICKEL UNDER PLATING

6. FOR HEADER PART NUMBER, NO. OF POSITIONS PER CONNECTOR HAS TO BE ADDED TO BASE NO. AS DASH NO.
 FOR EXAMPLE: 5-2823351-0 = 50 POSITION (SEE SHEET 2)
 7. PACKAGING: A. TAPE & REEL WITH (W/) CAP.
 B. TUBE WITH (W/) AND WITHOUT (W/O) CAP.
 C. BOX (W/O) CAP.

8. FOR -4 POSITION HEADER THE CAP WILL BE KAPTON TAPE (5X5mm).



DESCRIPTION	ITEM
CAP	4
POST 2	3
POST 1	2
HOUSING	1
DESCRIPTION	ITEM

THIS DRAWING IS A CONTROLLED DOCUMENT.

DIMENSIONS: mm [inch]	TOLERANCES UNLESS OTHERWISE SPECIFIED: 0 PLC ± 1 PLC ±0.2 2 PLC ±0.1 [0.008] 3 PLC ± [0.004] 4 PLC ± ANGLES ±2°	FINISH SEE NOTES	MATERIAL SEE NOTES	DWN RAKSHITH NAYAK 11FEB2016 CHK KARTHIK J K 01APR2016 APVD PRASHANTH S 01APR2016	PRODUCT SPEC 108-64040	APPLICATION SPEC 114-64040	WEIGHT -	CUSTOMER DRAWING	SCALE 5:1	SHEET 1 OF 2	REV A
--------------------------	---	---------------------	-----------------------	---	---------------------------	-------------------------------	-------------	------------------	-----------	--------------	-------

NAME AMPMODU 2mm SHROUDED HEADER, DUAL ROW, RIGHT ANGLE

SIZE A2 CAGE CODE 00779 DRAWING NO. C-2823351 RESTRICTED TO

TE Connectivity

THIS DRAWING IS UNPUBLISHED. RELEASED FOR PUBLICATION
 © COPYRIGHT 2016 TE CONNECTIVITY ALL RIGHTS RESERVED.


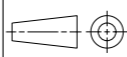
REVISIONS				
P	LTR	DESCRIPTION	DATE	APVD
-		SEE SHEET 1	-	-

MATING PLATING SIDE (FINISH)	"L" SOLDER TAIL LENGTH	HEADER BASE NUMBERS			
		TAPE & REEL W/ CAP	TUBE PKG W/ CAP	TUBE PKG W/O CAP	BOX PKG W/O CAP
TIN 2	2.2[0.087]	2823521	2823899	2823352	2823903
	2.8[0.110]	2823525	2823891	2823351	2823895
	3.4[0.134]	A/R	A/R	A/R	2823353
GOLD FLASH 0.1µm 3	2.2[0.087]	2823522	2823900	2823355	2823904
	2.8[0.110]	2823526	2823892	2823354	2823896
	3.4[0.134]	A/R	A/R	A/R	2823356
GOLD 0.38µm 4	2.2[0.087]	2823523	2823901	2823358	2823905
	2.8[0.110]	2823527	2823893	2823357	2823897
	3.4[0.134]	A/R	A/R	A/R	2823359
GOLD 0.76µm 5	2.2[0.087]	2823524	2823902	2823361	2823906
	2.8[0.110]	2823528	2823894	2823360	2823898
	3.4[0.134]	A/R	A/R	A/R	2823362

* A/R- AVAILABLE ON REQUEST

48 [1.890]	52 [2.047]	50	5- -0
42 [1.654]	46 [1.811]	44	4- -4
38 [1.496]	42 [1.654]	40	4- -0
30 [1.181]	34 [1.339]	32	3- -2
28 [1.102]	32 [1.260]	30	3- -0
26 [1.024]	30 [1.181]	28	2- -8
24 [0.945]	28 [1.102]	26	2- -6
22 [0.866]	26 [1.024]	24	2- -4
20 [0.787]	24 [0.945]	22	2- -2
18 [0.709]	22 [0.866]	20	2- -0
16 [0.630]	20 [0.787]	18	1- -8
14 [0.551]	18 [0.709]	16	1- -6
12 [0.472]	16 [0.630]	14	1- -4
10 [0.394]	14 [0.551]	12	1- -2
8 [0.315]	12 [0.472]	10	1- -0
6 [0.236]	10 [0.394]	8	-8
4 [0.157]	8 [0.315]	6	-6
2 [0.078]	6 [0.236]	4	-4
DIM "F"	DIM "E"	POSITION PER CONNECTOR	HEADER PN

8

THIS DRAWING IS A CONTROLLED DOCUMENT.		DWN 11FEB2016 RAKSHITH NAYAK	 TE Connectivity		
DIMENSIONS: mm [inch]		CHK 01APR2016 KARTHIK J K			
		APVD 01APR2016 PRASHANTH S	NAME AMPMODU 2mm SHROUDED HEADER, DUAL ROW, RIGHT ANGLE		
TOLERANCES UNLESS OTHERWISE SPECIFIED:		PRODUCT SPEC 108-64040	SIZE A2	CAGE CODE 00779	DRAWING NO C=2823351
MATERIAL SEE NOTES		FINISH SEE NOTES	RESTRICTED TO -	SCALE 5:1	SHEET 2 OF 2
			CUSTOMER DRAWING	REV A	