



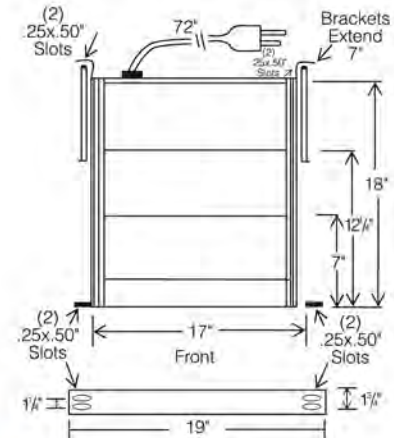
THERMALCARE FAN TRAYS



BASIC FAN TRAY SPECIFICATIONS...

FRAME

Heavy Duty steel construction with extruded aluminum side rails. Black color standard, gray available by special order.



HARDWARE

EZ-mount clip nuts and fasteners

CONFIGURATION

Standard trays have 3, 6 or 9 fans installed. Our ADD-a-MODULE feature allows the user to easily increase or decrease the amount of cooling in 3-fan increments.

OPTIONS

Ultrashort 3-fan Tray available. Lighted on/off rocker switch. Dual voltage selector switch. Fan monitor and alarm. MEDIUM AND LOW SPEED FANS CAN BE SUBSTITUTED FOR LOW-NOISE APPLICATIONS. Ultra high speed fans are available.

We use only top quality, ball bearing ORION FANS in our fan tray assemblies. For DC applications plastic fans are standard however diecast aluminum fans can be substituted on request. (Minimums apply.)

We can customize our fan trays to perform virtually any function required. If you need something which does not appear in this catalog just let us know. Our sales engineers will be happy to discuss your needs and provide a solution.

| MODEL NUMBER | PART NUMBER | VOLTAGE | FANS | CFM |
|------------------------------|-------------------|------------|------|-----|
| AC FAN TRAYS | | | | |
| OA300S | FTA-03115-014(BK) | 115VAC | 3 | 330 |
| OA600S | FTA-06115-014(BK) | | 6 | 660 |
| OA300 | FTA-03115-018(BK) | | 3 | 330 |
| OA300-A | expansion module | | 3 | 330 |
| OA600 | FTA-06115-018(BK) | | 6 | 660 |
| OA900 | FTA-09115-018(BK) | | 9 | 990 |
| OA302S | FTA-03220-014(BK) | 230VAC | 3 | 330 |
| OA602S | FTA-06220-014(BK) | | 6 | 660 |
| OA302 | FTA-03220-018(BK) | | 3 | 330 |
| OA302-A | expansion module | | 3 | 330 |
| OA602 | FTA-06220-018(BK) | | 6 | 660 |
| OA902 | FTA-09220-018(BK) | | 9 | 990 |
| DUAL VOLTAGE AC TRAYS | | | | |
| OA300S-DV | FTA-03DV-014(BK) | 115/230VAC | 3 | 330 |
| OA600S-DV | FTA-06DV-014(BK) | | 6 | 660 |
| OA300-DV | FTA-03DV-018(BK) | | 3 | 330 |
| OA300DV-A | expansion module | | 3 | 330 |
| OA600-DV | FTA-06DV-018(BK) | | 6 | 660 |
| OA900-DV | FTA-09DV-018(BK) | | 9 | 990 |
| DC FAN TRAYS | | | | |
| OD300S-12 | FTD-03012-014(BK) | 12VDC | 3 | 330 |
| OD600S-12 | FTD-06012-014(BK) | | 6 | 660 |
| OD300-12 | FTD-03012-018(BK) | | 3 | 330 |
| OD300-12-A | expansion module | | 3 | 330 |
| OD600-12 | FTD-06012-018(BK) | | 6 | 660 |
| OD900-12 | FTD-09012-018(BK) | | 9 | 990 |
| OD300S-24 | FTD-03024-014(BK) | 24VDC | 3 | 330 |
| OD600S-24 | FTD-06024-014(BK) | | 6 | 660 |
| OD300-24 | FTD-03024-018(BK) | | 3 | 330 |
| OD300-24-A | expansion module | | 3 | 330 |
| OD600-24 | FTD-06024-018(BK) | | 6 | 660 |
| OD900-24 | FTD-09024-018(BK) | | 9 | 990 |
| OD300S-48 | FTD-03048-014(BK) | 48VDC | 3 | 330 |
| OD300-48-A | expansion module | | 3 | 330 |
| OD600S-48 | FTD-06048-014(BK) | | 6 | 660 |
| OD300-48 | FTD-03048-018(BK) | | 3 | 330 |
| OD600-48 | FTD-06048-018(BK) | | 6 | 660 |
| OD900-48 | FTD-09048-018(BK) | | 9 | 990 |

Fan trays are UL listed by the part number only. Model numbers are assigned as configuration descriptors only and do not affect UL certifications.



POWER CONNECTION

AC trays have standard 115 or 230 VAC power cords. DC trays come with standard DC screw terminals.



115VAC



230VAC



Dual Voltage
(IEC320 C14)

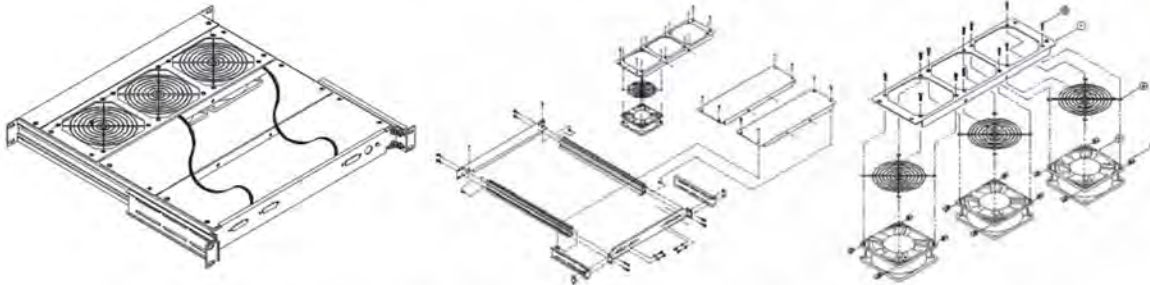


DC Power



ORION STANDARD TRAY

L=19" W=19" D=1.75" with IEC320, C14-type connector on back. 115/230 voltage selector included with dual voltage tray.



Standard trays are populated with high speed, ball bearing fans. We can substitute virtually any 120mm AC or DC fan for your special project. Just let your sales engineer know what your requirements are and he or she will be happy to provide a solution.



ORION SHORT TRAY

L=14" W=19" D=1.75". Optional lighted on/off rocker with IEC320, C14-type connector on back. 115/230 voltage selector included with dual voltage tray.

CUSTOM TRAYS

ORION FANS fan trays are available in dozens of stock configurations. If you cannot find what you are looking for give us a call. We can design and build your trays from scratch or we can help you come up with solutions for your toughest problems.



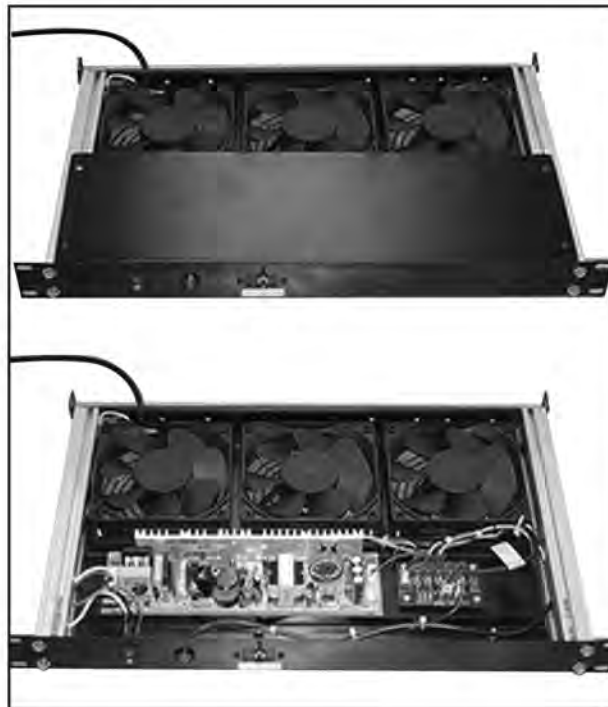
Dual Voltage Selector



Lighted on/off rocker



Warning Lights



EXPANSION MODULE

Maximum flexibility - minimum effort. Add or subtract fan modules quickly and easily as your cooling needs change.