

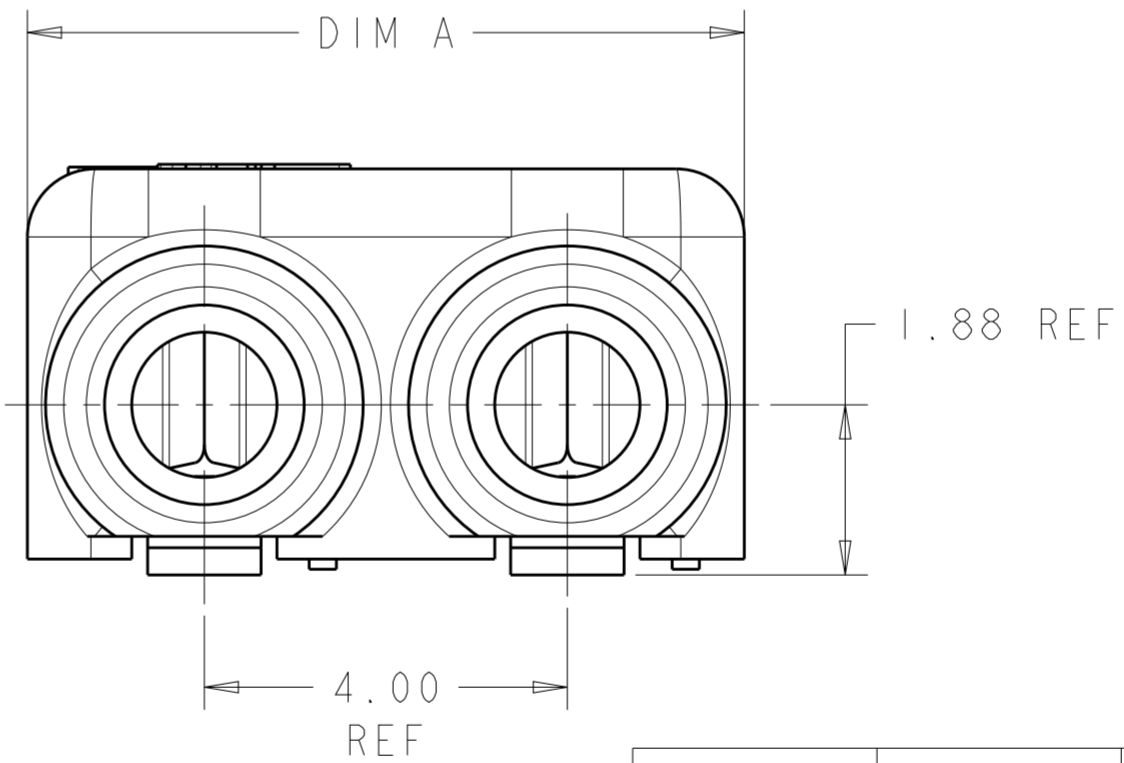
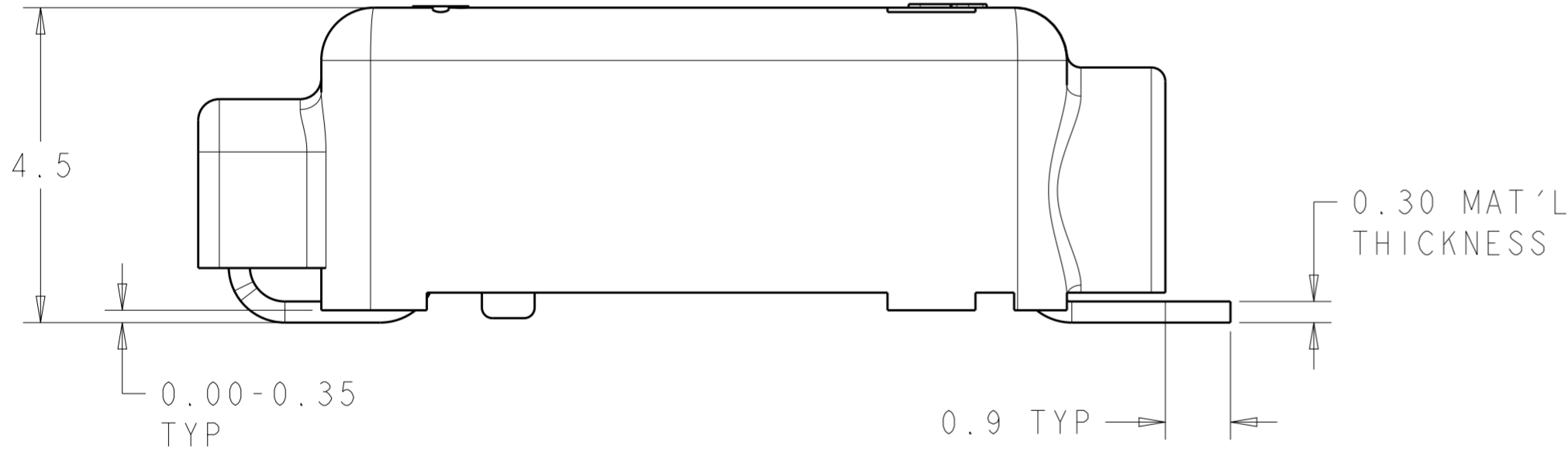
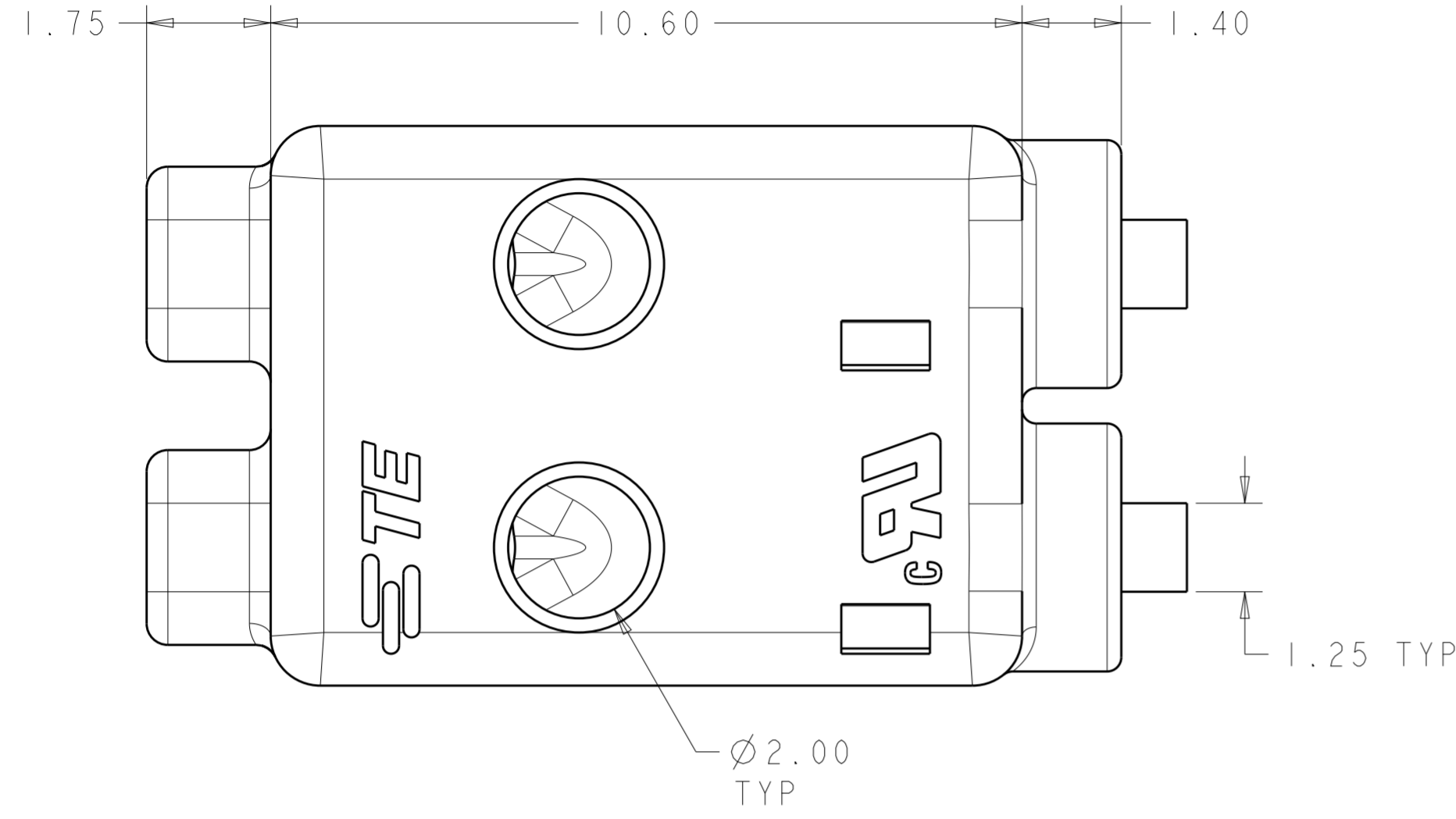
THIS DRAWING IS UNPUBLISHED. RELEASED FOR PUBLICATION 20
 © COPYRIGHT 20 BY - ALL RIGHTS RESERVED.

LOC		DIST		REVISIONS			
P	LTR	DESCRIPTION	DATE	DWN	APVD		
	A	REVISED PER ECR-14-018998	08JAN2015	RS	DD		

NOTES :

- 1. MATERIALS AND FINISH:
 - HOUSING: LCP, COLOR: WHITE
 - CONTACTS: COPPER ALLOY, FINISH: PRE-TIN OVER NICKEL UNDERPLATE
- 2. MUST COMPLY WITH DIRECTIVE 2002/95/EC (ROHS)
- 3. NOTE DELETED.
- 4. WIRE TYPES AND SIZES ACCEPTED
 - SOLID WIRE: 18AWG, 20AWG, 22AWG, 0.75mm², AND 0.5mm²
 - STRANDED WIRE: 18AWG (16 STRANDS MAX), 20AWG (7 STRANDS MAX), 22AWG (7 STRANDS MAX), 0.75mm² (24 STRANDS MAX), AND 0.5mm² (16 STRANDS MAX),
 - PREBOND WIRE: 18AWG (16 STRANDS MAX), 20AWG (7 STRANDS MAX)

MAX INSULATION OD: 2.05mm (.081") MAX.
 STRIP LENGTH: 9.0±1.0 (.354")
- 5. PACKAGED IN TAPE AND REEL



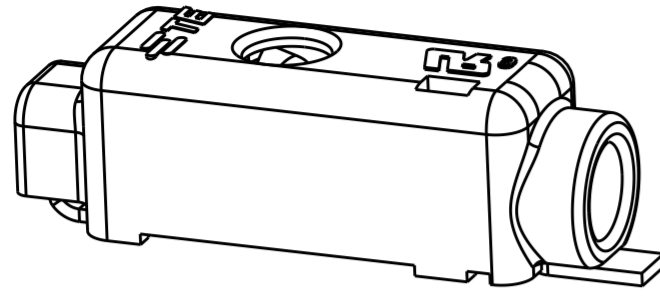
20.00	11.90	2 POSN; SELECT LOAD	1-2213301-2
20.00	11.90	3 POSN	2213301-3
16.00	7.90	2 POSN	2213301-2
12.00	3.90	1 POSN	2213301-1
DIM B	DIM A	NO. OF POSITIONS	PART NO.

THIS DRAWING IS A CONTROLLED DOCUMENT.

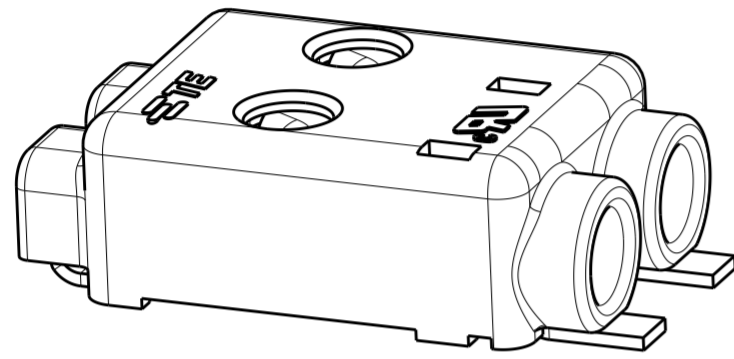
DWN C. DAILY 14JAN2014	 TE Connectivity
CHK E. HOWARD 14JAN2014	
APVD	NAME CONNECTOR ASSEMBLY, RELEASABLE POKE-IN
PRODUCT SPEC 108-32063	SIZE A200779
APPLICATION SPEC 114-32113	CAGE CODE C-2213301
MATERIAL SEE TABLE	DRAWING NO C-2213301
WEIGHT -	RESTRICTED TO -
Customer Drawing	SCALE 12.1 SHEET 1 OF 3 REV A

THIS DRAWING IS UNPUBLISHED. RELEASED FOR PUBLICATION 20
 © COPYRIGHT 20 BY - ALL RIGHTS RESERVED.

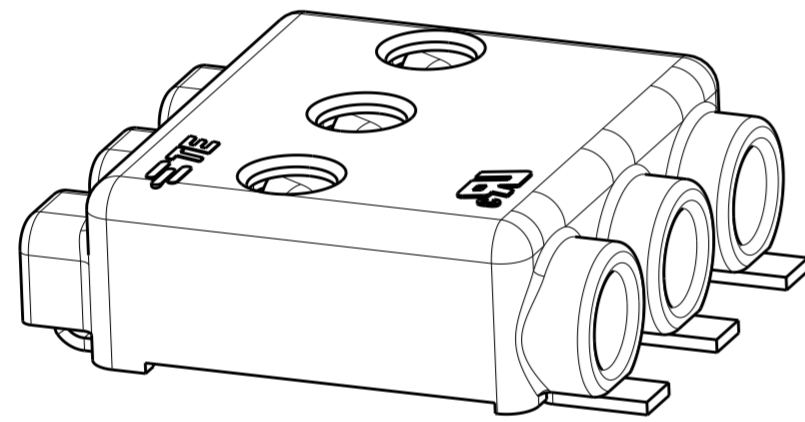
LOC		DIST		REVISIONS			
P	LTR	DESCRIPTION	DATE	DWN	APVD		
-	-	SEE SHEET 1	-	-	-		



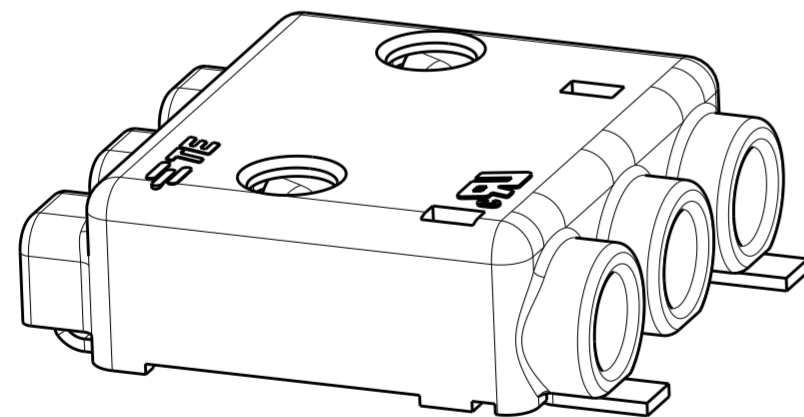
2213301-1
SCALE 6:1



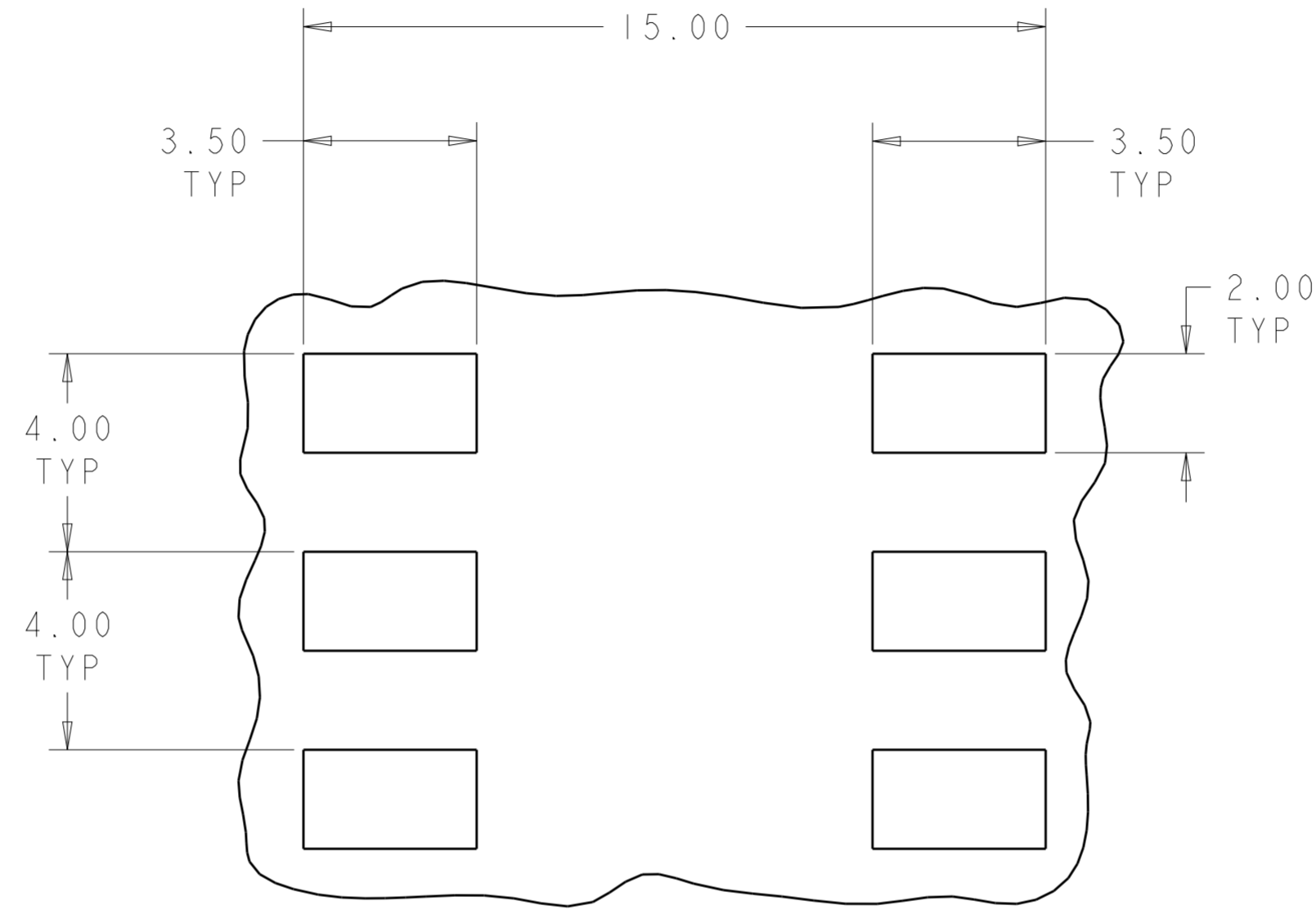
2213301-2
SCALE 6:1



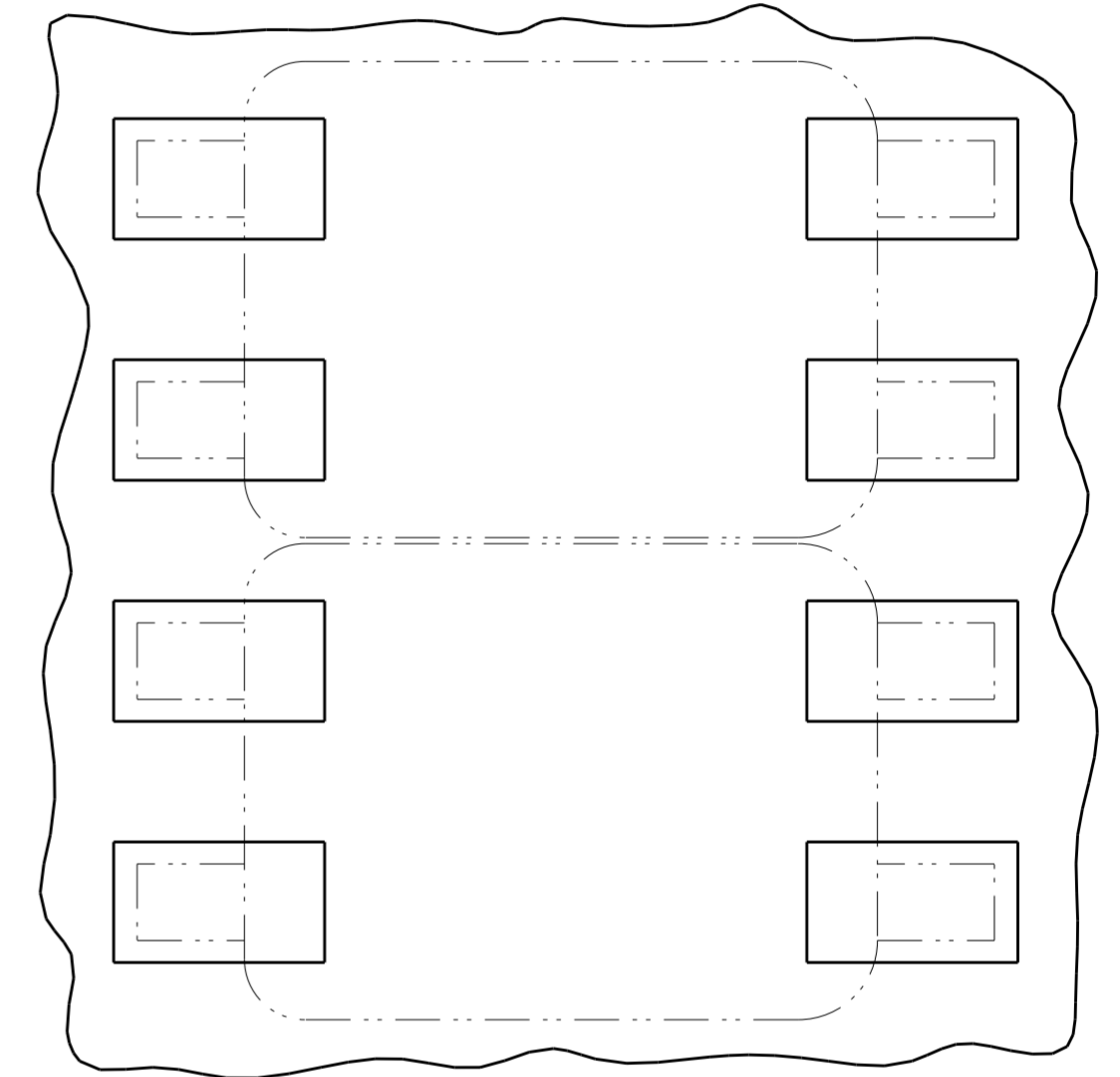
2213301-3
SCALE 6:1



1-2213301-2
SCALE 6:1



RECOMMENDED PCB LAYOUT

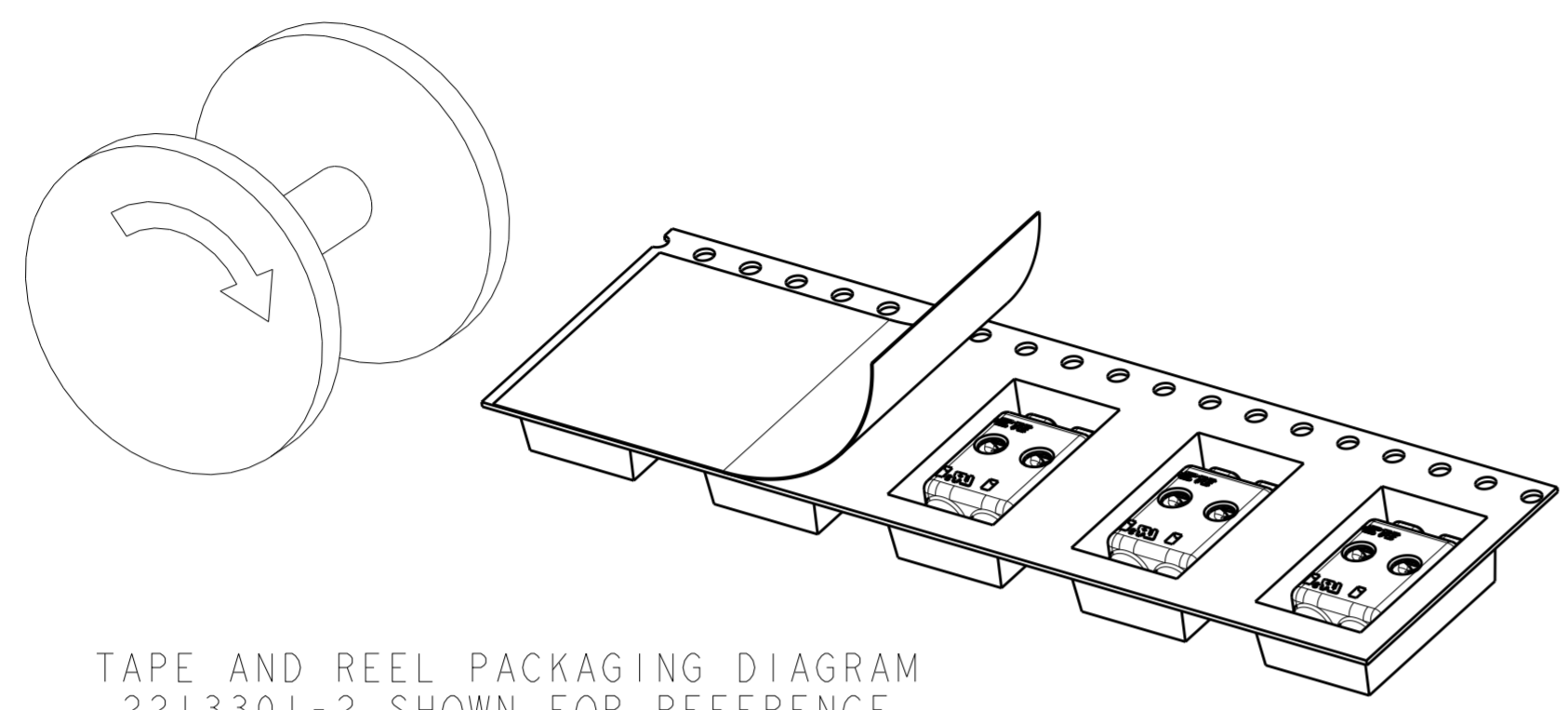


SIDE BY SIDE STACKABLE
2213301-2 SHOWN FOR REFERENCE
SCALE 8:1

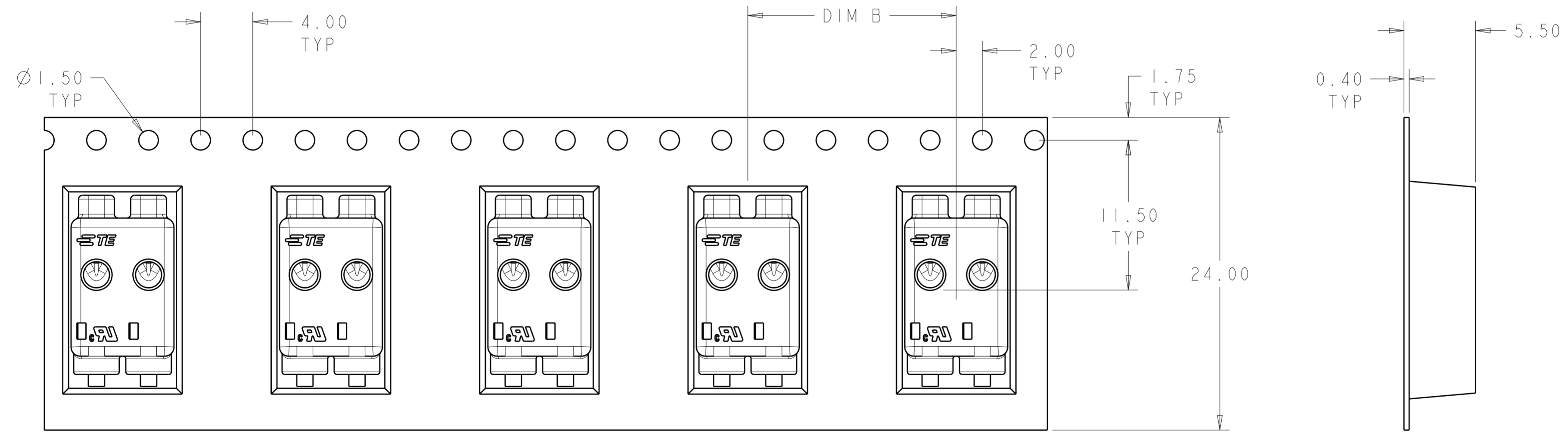
THIS DRAWING IS A CONTROLLED DOCUMENT.		DWN C. DAILY 14JAN2014	TE Connectivity	
		CHK E. HOWARD 14JAN2014		
DIMENSIONS: mm		TOLERANCES UNLESS OTHERWISE SPECIFIED:		NAME CONNECTOR ASSEMBLY, RELEASABLE POKE-IN
		0 PLC ±	PRODUCT SPEC 108-32063	SIZE A200779
		1 PLC ±0.3	APPLICATION SPEC 114-32113	CAGE CODE C-2213301
		2 PLC ±0.13	WEIGHT -	DRAWING NO -
		3 PLC ±	RESTRICTED TO -	SCALE 6:1
		4 PLC ±	Customer Drawing	SHEET 2 OF 3
		ANGLES ±3°		REV A
		FINISH		
MATERIAL		SEE TABLE		

THIS DRAWING IS UNPUBLISHED. RELEASED FOR PUBLICATION 20
 © COPYRIGHT 20 BY - ALL RIGHTS RESERVED.

LOC		DIST		REVISIONS				
P	LTR	DESCRIPTION	DATE	DWN	APVD			
-	-	SEE SHEET 1	-	-	-			



TAPE AND REEL PACKAGING DIAGRAM
 2213301-2 SHOWN FOR REFERENCE



SCALE 4:1

THIS DRAWING IS A CONTROLLED DOCUMENT.		DWN C. DAILY 14JAN2014	TE Connectivity		
		CHK E. HOWARD 14JAN2014			
DIMENSIONS: mm		TOLERANCES UNLESS OTHERWISE SPECIFIED: 0 PLC ± 1 PLC ±0.3 2 PLC ±0.13 3 PLC ± 4 PLC ± ANGLES ±3° FINISH		NAME CONNECTOR ASSEMBLY, RELEASABLE POKE-IN	
		PRODUCT SPEC 108-32063		SIZE CAGE CODE DRAWING NO RESTRICTED TO A200779 C-2213301 -	
MATERIAL SEE TABLE		APPLICATION SPEC 114-32113		WEIGHT -	
		Customer Drawing		SCALE 6:1 SHEET 3 OF 3 REV A	