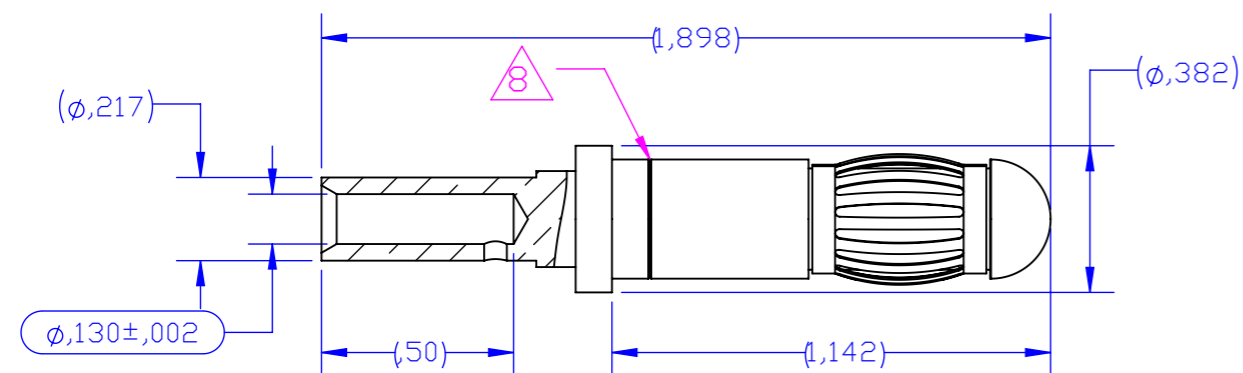
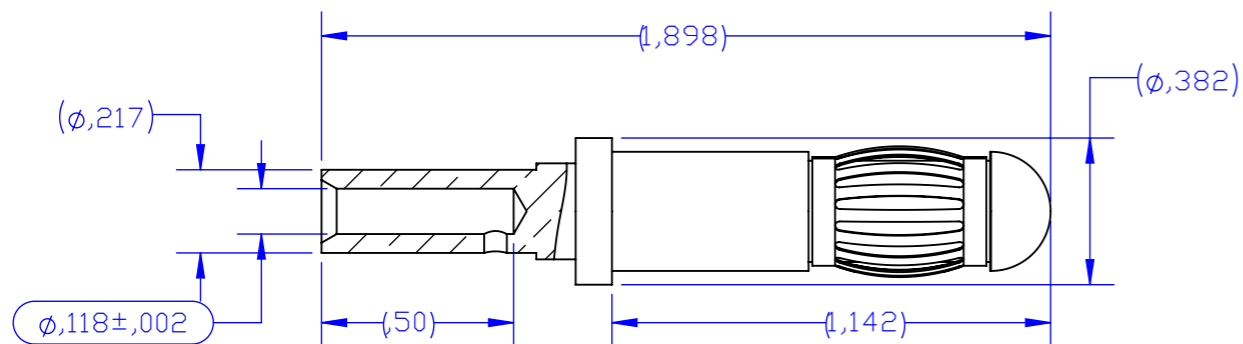


P	LTR	DESCRIPTION	DATE	DWN	APVD
	B	Diffusion N°331170	20JUL2015	MB	MV
	C	Change dimension and tolerances Diffusion N°331764	01JUN2016	MB	MV
	D	Update quantity item 1 & 2 + Add item 3 + Add product & application spec - Diffusion 331914	19SEP2016	EL	MV



- 1 ( ) : cotes pour information / dimensions for information
- 1 ( ) : cotes de controle / inspection dimensions

2 Instructions de mise en oeuvre à appliquer par le client  
Customer instructions to be applied by the customer

- 3 Standards : AAR S-512, APTA RP-E-019-99
- 4 Catalog number : 27P-KITCON-24P12-3P10

- 5 Crimping tools : DANIELS CRIMPING HAND CRIMPER HX4 WITH Y543 DIES or DANIELS PNEUMATIC CRIMPER HX23 WITH Y543 DIES

6 Cable sheath stripping lenght = ,54

7 Contacts packed in a labeled bag : 27P-KITCON-24P12-3P10

- Groove on contacts AWG10 only
- Ref. YS-UC-211946A-AA1A (item2) is a KIT with 3 contacts
- Ref. YS-UC-211945A-AA1A (item1) is a KIT with 24 contacts

11 Packaging Specification 107-157003

-	-	-	Plastique Plastic	0,2	1	Y0000000000-EMB031	Sachet plastique Plastic bag	3
-		Argenture Silver plating	Laiton Brass	43.14	1	YS-UC-211946A-AA1A	Kit de 3 broches mâle AWG 10 Kit with 3 Male contacts 10 AWG	2
-		Argenture Silver plating	Laiton Brass	349.15	1	YS-UC-211945A-AA1A	Kit de 24 Broches mâle 12 et 14 AWG Kit with 24 Male contactst AWG 12 and 14	1
Observations Remarks	Protection Plating	Fiche matière Data sheet	Matière Material	Masse (g) Weight (g)	Nbr Qty	Codification Part number	Désignation Designation	REP Item

Référence commerciale / commerciale reference : 27P-KITCON-24P12-3P10

YS-UC-212124A-0000  
PART NO

THIS DRAWING IS A CONTROLLED DOCUMENT.		DWN M.BONNIN 20JUL2015	TE Connectivity		
DIMENSIONS: inch		CHK JF.GALIPAUD 20JUL2015			
TOLERANCES UNLESS OTHERWISE SPECIFIED:		APVD M.VIMARD 20JUL2015			
		PRODUCT SPEC 108-157001	NAME S/A Contacts kit for receptacle		
MATERIAL BRASS		FINISH SILVER PLATING	APPLICATION SPEC 408-157000-1	SIZE A3	CAGE CODE C=S1894-212124
		WEIGHT 0.858 pound	RESTRICTED TO -		
CUSTOMER DRAWING			SCALE 2:1	SHEET 1 OF 1	REV D