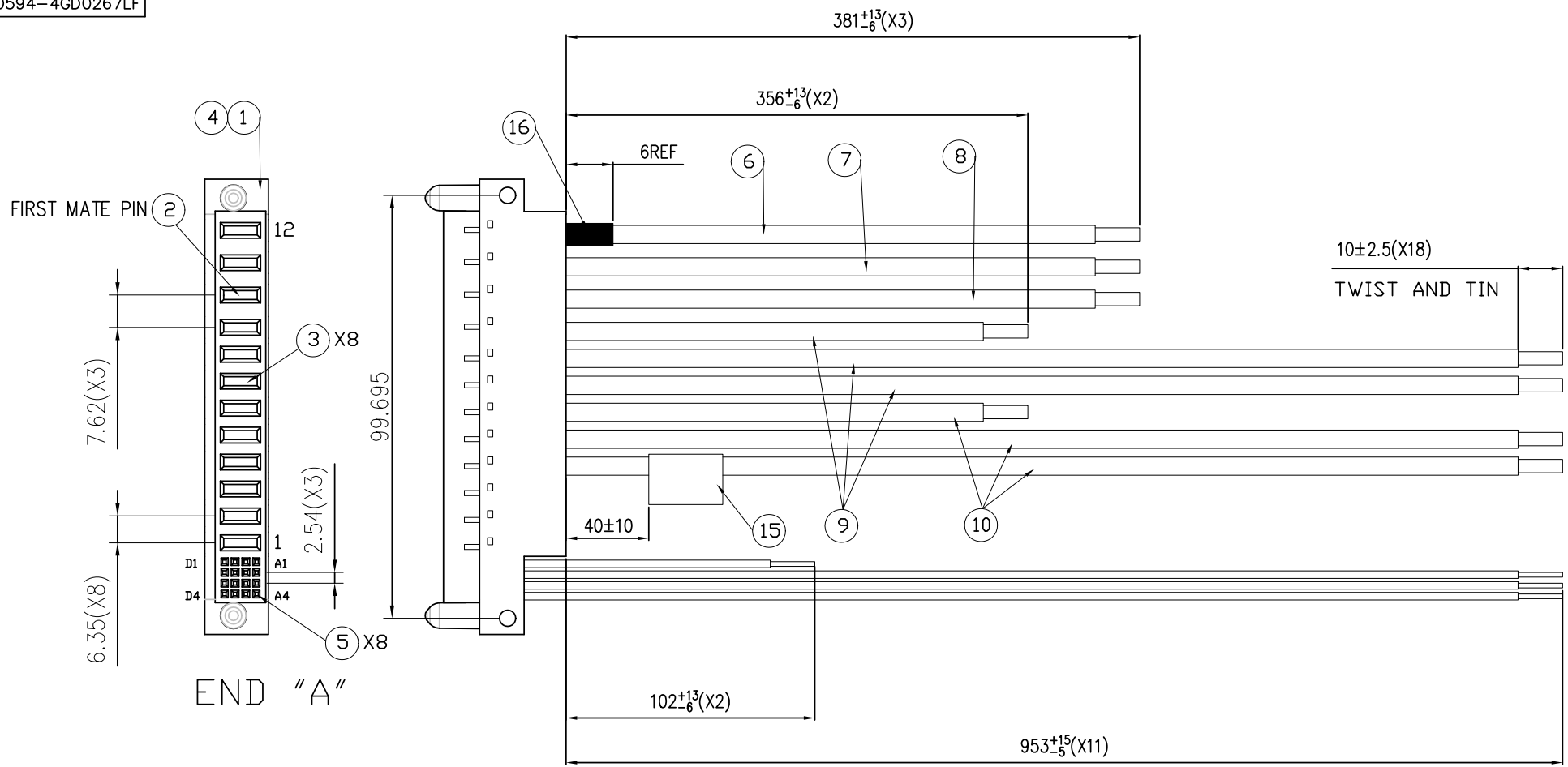


FCI CONFIDENTIAL

FCIconnect.com

Copyright FCI

FCI PART No. NOTE 3
10080594-4GD0267LF



mat'l. code		surface ISO 1302 ✓		tolerance ISO 406 ISO 1101		projection MM		product family Power Blade	
trn ecn no.		dr date		tolerances unless otherwise specified		MM		title Power Blade 3Acp9P16S C&A	
A -		w.w 08-30'11		angles linear		scale 4		dwg no. sheet 1 of 3 size 10080594-4GD0267LF A3	
				dr wilson 06-13'11		FCI		Type CUSTOMER Drawing	
				enr wilson 06-13'11					
				chr wilson 06-13'11					
				appo Jackson 06-13'11					
sheet revision A		sheet 1							

FCI CONFIDENTIAL

FCI
Copyright FCI

END "A"

- 4 UL10198 BROWN 10AWG
- 5 UL10198 BROWN 10AWG
- 6 UL10198 BROWN 10AWG
- 7 UL10198 ORANGE 10AWG
- 8 UL10198 ORANGE 10AWG
- 9 UL10198 ORANGE 10AWG
- 10 UL1015 GREEN/YELLOW 10AWG
- 11 UL1015 BLACK 10AWG
- 12 UL1015 WHITE 10AWG

END "A"

- A1 UL1569 RED 24AWG 4"
- A3 UL1569 BROWN 24AWG 37.5"
- A4 UL1569 ORANGE 24AWG 37.5"
- B1 UL1569 WHITE 24AWG 4"
- B3 UL1569 BROWN 24AWG 37.5"
- C3 UL1569 BROWN 24AWG 37.5"
- D1 UL1569 BROWN 24AWG 37.5"
- D2 UL1569 BROWN 24AWG 37.5"
- D3 UL1569 BROWN 24AWG 37.5"

NA	MM	Description	Qty
		Tube,black,5.0mm	16
1	PC	LABEL	15
NA	MM	UL1569 RED 24AWG	14
NA	MM	UL1569 BROWN 24AWG	13
NA	MM	UL1569 WHITE 24AWG	12
NA	MM	UL1569 ORANGE 24AWG	11
NA	MM	UL10198 BROWN 10AWG	10
NA	MM	UL10198 ORANGE 10AWG	9
NA	MM	UL1015 GREEN/YELLOW 10AWG	8
NA	MM	UL1015 BLACK 10AWG	7
NA	MM	UL1015 WHITE 10AWG	6
9	PC	SIGNAL TERMINAL,FDR 22~26AWG WIRE	5
9	PC	LOCK KEY,BLACK	4
8	PC	SHORT POWER TERMINAL FDR 10awg WIRE	3
1	PC	LONG POWER TERMINAL FDR 10awg WIRE	2
1	PC	RECEPTACLE 3Acp9P16S	1
Qty	Unit	Description	Item

mat'l. code		surface ISO 1302 ✓	tolerance ISO 406 ISO 1101	projection 	product family Power Blade
tr	ecn no.	dr	date	tolerances unless otherwise specified	title
A				angles linear	Power Blade 3Acp9P16S C&A
					MM
					scale 4
		dr	wilson	06-13'11	dwg no.
		enr	wilson	06-13'11	sheet 2 of 3
		chr	wilson	06-13'11	10080594-4GD0267LF
		app	Jackson	06-13'11	size A3
sheet	revision	A			Type
index	sheet	2			CUSTOMER Drawing

FCI CONFIDENTIAL

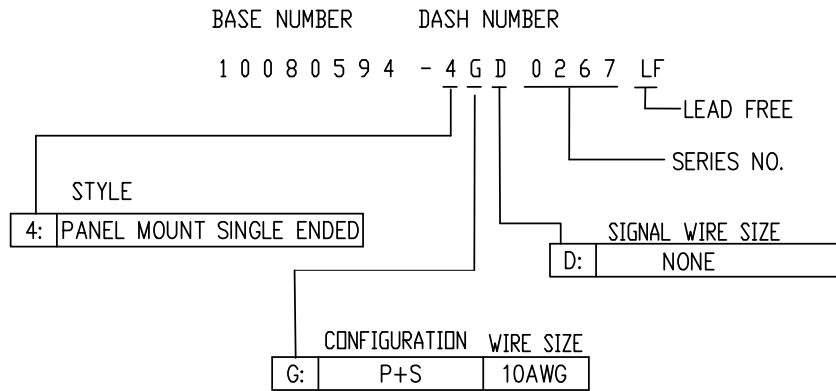
FCI
Copyright FCI

NOTES:

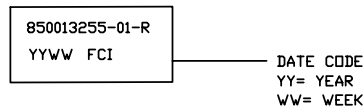
1. END "A" MATES WITH FCI HEADER PART NUMBER XXXXXXXX.

2. UNLESS OTHERWISE SPECIFIED ASSEMBLED LENGTH TOLERANCE =
< = 1 METER: ±15.0mm
> 1 METER TO 10 METER: ±2% OF L1
> 10 METER: +0.00% / -4% OF L1

3. PART NUMBER DESCRIPTION:



4. LABEL INFORMATION AS BELOW, THE CHARACTER HEIGHT IS 3.05mm.



5. ALL CABLE ASSEMBLIES SHALL BE TESTED 100% FOR CONTINUITY AS DEFINED IN WIRING LIST.

6. UNLESS OTHERWISE SPECIFIED ALL CABLE ASSEMBLIES SHALL BE 100% HI-POT TESTED BY APPLYING 300V DC FOR MINIMUM OF 10ms, UNLESS ACTIVE COMPONENTS ARE USED IN THIS ASSEMBLY.

7. ALL CUSTOMER DRAWINGS ARE SUPPLIED WITH METRIC DIMENSIONS.

8. LEAD FREE PRODUCTS MEET EUROPEAN UNION DIRECTIVES AND OTHER COUNTRY REGULATIONS AS DESCRIBED IN GS-22-008.

PACKAGING OF LEAD FREE PRODUCTS MEETS LABELING AND PACKAGING SPECIFICATION GS-14-920.

9. CONNECTOR ASSEMBLIES SHOWN ARE FOR REFERENCE ONLY AND MAY NOT SHOW ALL PART DETAIL. REFERENCE CONNECTOR HOUSING DRAWINGS FOR COMPLETE DETAILS.

10. THIS DIMENSION IS A FINISHED PRODUCT LENGTH.

11. CABLE: UL APPROVED, TEMPERATURE RATING 105°C. 300V .
HOUSING: HIGH TEMP. THERMOPLASTIC, UL94V-0 GLASS FILLED,
COLOR: BLACK
POWER CONTACTS: COPPER ALLOY

12. CONNECTOR BODY TO BE UL APPROVED, APPROVED SOURCE FCI SERIES POWER BLADE CABLE IN CONNECTOR PER UL FILE E66906 "12 POLE THIN WALL WITH SHRINK TUBE".

mat'l. code		surface ISO 1302 ✓		tolerance ISO 406 ISO 1101		projection 		product family Power Blade	
trn ecn no.		dr		date		tolerances unless otherwise specified		title	
A						angles linear		MM 	
								scale 4	
		dr		wilson		06-13'11		dwg no.	
		enr		wilson		06-13'11		sheet 3 of 3	
		chr		wilson		06-13'11		10080594-4GD0267LF	
		appd		Jackson		06-13'11		A3	
sheet		revision		A				Type CUSTOMER Drawing	
index		sheet		3					