

“Stay Connected” with



Liquid Tight Cordgrips

a PennEngineering® Company



## Heyco® Original Series-35 Liquid Tight Cordgrips Straight-Thru, NPT Hubs

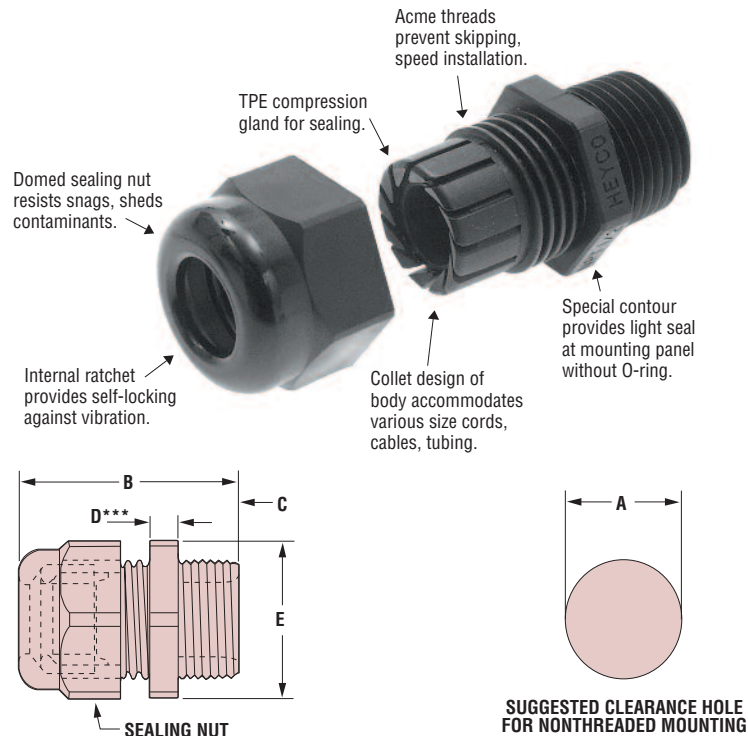
- **Wide range of approved cable diameters.**
- IP 68 rated.
- Acme threads on body prevent skipping and speed installation.
- For use in clearance or threaded holes.
- All nylon construction with TPE sealing gland resists salt water, weak acids, gasoline, alcohol, oil, grease, and common solvents. (This feature is not assessed by UL.)
- Multiple sizes for flexible cord diameters ranging from .069” (1,8 mm) to 1.000” (25,4 mm). For larger sizes, see Heyco-Tite Liquid Tight Cordgrips on page 3-1.
- We recommend using the cordgrip with the smallest maximum diameter that will fit your application. Cable ranges listed are for the maximum IP68 sealing range. Contact Heyco for UL approved 514B cable ranges.
- **Locknuts not included.** For nylon locknut specifications or to order locknuts separately, see page 3-47.
- For Heyco Liquid Tight Threaded Plugs, see page 3-51.
- Consult Heyco for cordgrips molded in other colors.

CABLE DIA. RANGE				PART NO.		DESCRIPTION	UL or IEC	PART DIMENSIONS									
Minimum		Maximum		Locknuts Not Included*				A	B	C	D		E				
in.	mm.	in.	mm.	Black	Gray	Clearance Hole Dia.	Max. O.A. Length	Thread Length	Wrenching Nut Thk.		Flat Size						
						in.	mm.	in.	mm.	in.	mm.	in.	mm.				
.069	1,8	.187	4,7	<b>3458</b>	<b>3459</b>	RLTF 3/8	.670	17,0	1.49	37,8	.53	13,5	.20	5,1	.75	19,1	
.115	2,9	.312	7,9	<b>3228</b>	<b>3229</b>	LTF 3/8											
.170	4,3	.450	11,4	<b>3231</b>	<b>3232</b>	LTF 1/2	.875	22,2	1.72	43,7	.62	15,7	.20	5,1	.95	24,1	
.230	5,8	.546	13,9	<b>3200</b>	<b>3201</b>	LLTF 1/2	.875	22,2	1.83	46,5	.62	15,7	.23	5,8	1.05	26,7	
.250	6,4	.485	12,3	<b>3204</b>	<b>3205</b>	MRLTF 1/2	.875	22,2	1.97	50,0	.63	16,0	.23	5,8	1.30	33,0	
.450	11,4	.709	18,0	<b>3202</b>	<b>3203</b>	MLTF 1/2**											
.250	6,4	.485	12,3	<b>3460</b>	<b>3461</b>	RLTF 3/4	1.068	27,1	1.97	50,0	.63	16,0	.23	5,8	1.30	33,0	
.450	11,4	.709	18,0	<b>3234</b>	<b>3235</b>	LTF 3/4											
.590	15,0	1.000	25,4	<b>8437</b>	<b>8438</b>	LTF 1	1.350	34,3	2.42	61,5	.75	19,1	.28	7,1	1.65	41,9	

Standard colors black and gray.

\*To order Nylon or Metal Locknuts separately, see pages 3-47 and 3-48.

\*\*For cable diameters greater than .600”, the insulating jacket must be stripped back. Reference customer drawing 3202/3203. For larger sizes, see Heyco-Tite Liquid Tight Cordgrips on page 3-1.



Consult Heyco for your alternate material requirements!

Material	Nylon 6/6 with TPE Sealing Gland
Certifications	<ul style="list-style-type: none"> <li>UL Listed under Underwriters' Laboratories File E51579</li> <li>Recognized Under the Component Program of Underwriters' Laboratories File E51579</li> <li>Certified by Canadian Standards Association File 93876C</li> </ul>
Flammability Rating	94V-2
Temperature Range	Static -40°F (-40°C) to 239°F (115°C) Dynamic -4°F (-20°C) to 212°F (100°C)
IP Rating	IP 68 (70 PSI, 5 BAR)

Quick Specs