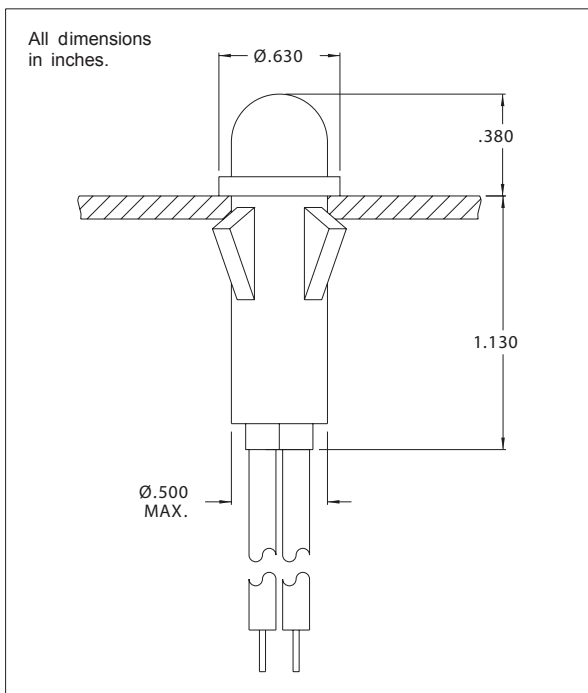




# 1091M Series Non-Relampable LED Indicator Lights



Solid-state indicator lights complete with built-in current-limiting resistor and rectifier diode.

Mounting: Will snap-fit into Ø.500/.505 hole in panels .020/.100 thick. Push-on speednut SN0461 also available. Mounting hole pattern on page SP2.

Wire Leads: No. 22 AWG (105°C) 4.40/4.80 long, stripped .430/.570

Lens: Polycarbonate

Anode(+): Red lead

Bezel: Polished stainless steel.

Housing: White Nylon

To use 24V model: Beyond 32VAC add 30 ohms per volt; beyond 24 VDC add 50 ohms per volt.

Use 1/2W resistor up to 50V; 1W resistor for 50V to 70V; 2W resistor for 75V to 125V. Do not use beyond 125V.

| Lens Color               | LED Solid State Indicator |                 |                 |                               |
|--------------------------|---------------------------|-----------------|-----------------|-------------------------------|
|                          | Model No. (6V)            | Model No. (12V) | Model No. (24V) | Model No. (105-125 VAC*)      |
| Red                      | 1091M1-6V                 | 1091M1-12V      | 1091M1-24V      | 1091M1-125VAC                 |
| Green                    | 1091M5-6V                 | 1091M5-12V      | 1091M5-24V      | 1091M5-125VAC                 |
| Yellow                   | -                         | 1091M7-12V      | 1091M7-24V      | 1091M7-125VAC                 |
| Internal Resistor (ohms) | 150                       | 390             | 1000            | (2) 3.9K 1/2W* (One Internal) |

\*125 VAC supplied with 6" white wire, stripped 1/2" with external 3.9K 1/2 watt resistor attached to one lead, covered with shrink tubing insulation.

| Voltage Table |            |            |
|---------------|------------|------------|
| Nominal       | VAC        | VDC        |
| 6V            | 5 to 11    | 3.5 to 6.5 |
| 12V           | 10 to 20   | 6 to 13.5  |
| 24V           | 22 to 32   | 12 to 24   |
| 125 VAC       | 105 to 125 | -          |

| Lens Color | Incorporates LED* |
|------------|-------------------|
| Red        | 4304H1            |
| Green      | 4304H5            |
| Yellow     | 4304H7            |

\* Also incorporates 1N4004 (400 P.I.V.) rectifier diode.

## Compliance & Approvals

