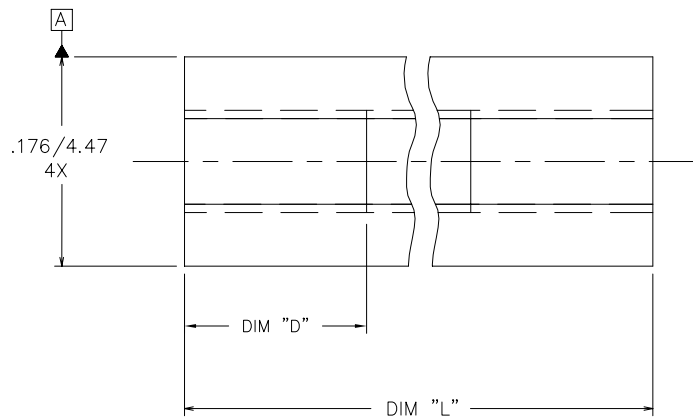
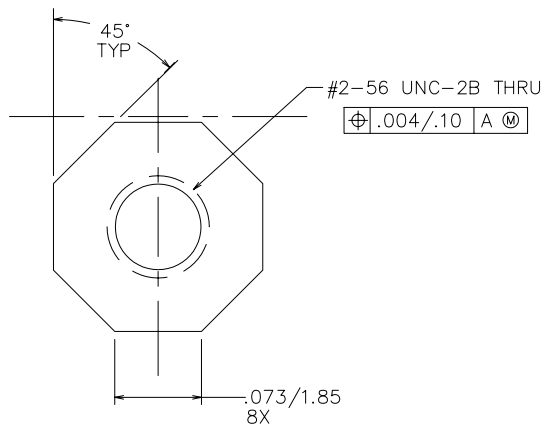


PRODUCT NUMBER	DIM L	DIM D
78059-001	.065/1.65	THRU
78059-001LF		
78059-002	.394/10.00	.157/3.99 (2x)
78059-002LF		



NOTES:

- ① MATERIAL: 416 OR 430 STAINLESS STEEL.
- ② ADD AN LF SUFFIX TO PART NUMBERS FOR PRODUCT THAT MEETS EUROPEAN UNION DIRECTIVES AND OTHER COUNTRY REGULATIONS AS DESCRIBED IN GS-22-008.
3. THIS PRODUCT IS NOT INTENDED TO BE EXPOSED TO MANUFACTURING SOLDER PROCESSES.

mat'l. code		surface ISO 1302 ✓		tolerance ISO 406 ISO 1101		projection ⊕		product family HPC	
ltr	ecn no	dr	date	tolerances unless otherwise specified		INCH/MM		title	
A	V12227	SAR	8/27/91	angles	.XX±.01/.3			OCTAGON NO. 2 MOUNTING NUT	
B	V00711	LSS	3/16/00	linear	.xxx±.005/.13	scale 1:1		dwg no	
C	V05-0964	HTB	10/18/05	0'±2'	.xxxx±.0020/.051			sheet 1 of 1 size	
D	M06-0285	AGS	7/10/06	dr	L. SANDERS	3/16/00		78059 A3	
				enr	M. GRAY	3/16/00		type	
				chr	M. GRAY	3/16/00		Product Customer Drawing	
				appd	M. GRAY	3/16/00			
sheet index	revision sheet	D							
	1								



Copyright FCI