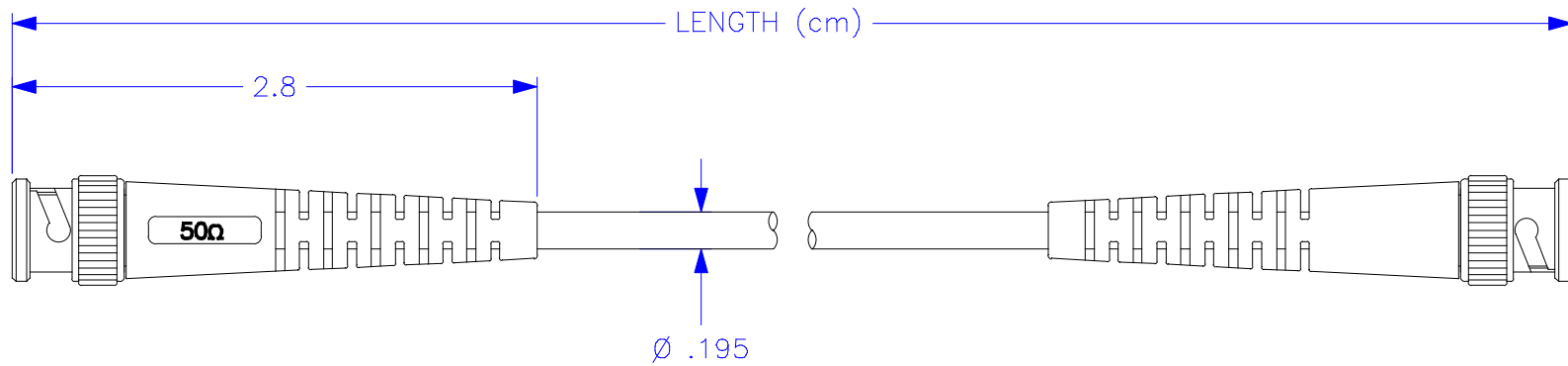


THIS IS ISSUED IN STRICT CONFIDENCE THAT IT IS NOT USED AS A BASIS FOR MANUFACTURE OR SALE AND THAT IT IS NOT COPIED, REPRINTED OR DISCLOSED TO A THIRD PARTY EITHER WHOLLY OR IN PART WITHOUT THE PRIOR WRITTEN CONSENT OF CAL TEST ELECTRONICS, INC.



| | | | | | | | |
|---------|--|----------|--|-------|-----------|----------|--------|
| DRAWN | | 10/20/02 | | SIZE | CAGE CODE | DWG. NO. | REV. |
| WDH | | | | A | | P294200 | - |
| CHECKED | | | | SCALE | 1:1 | SHEET | 2 OF 2 |