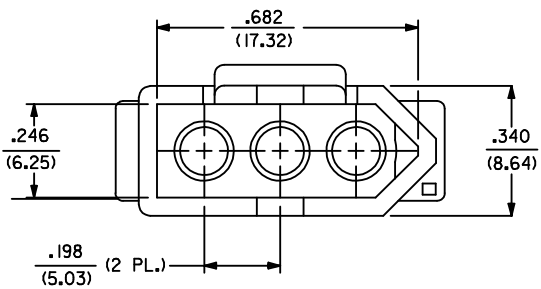
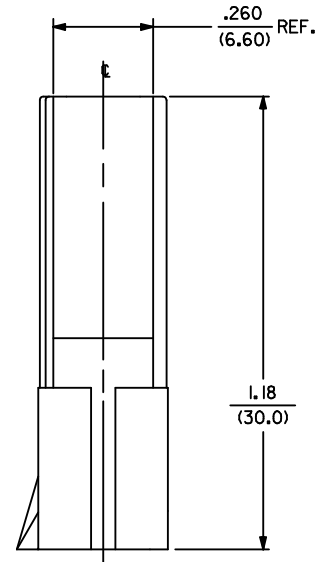
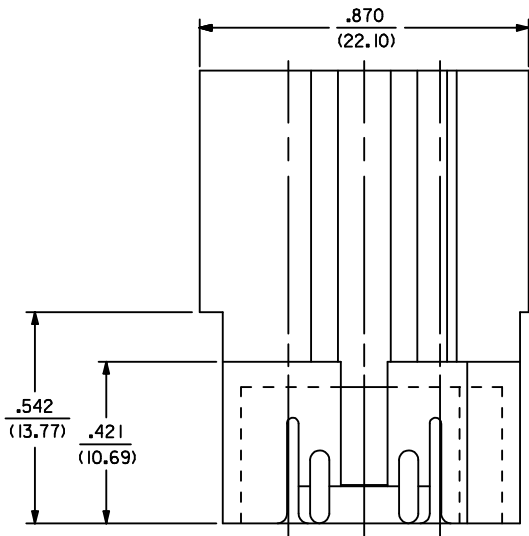
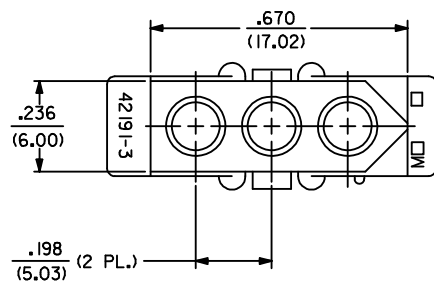
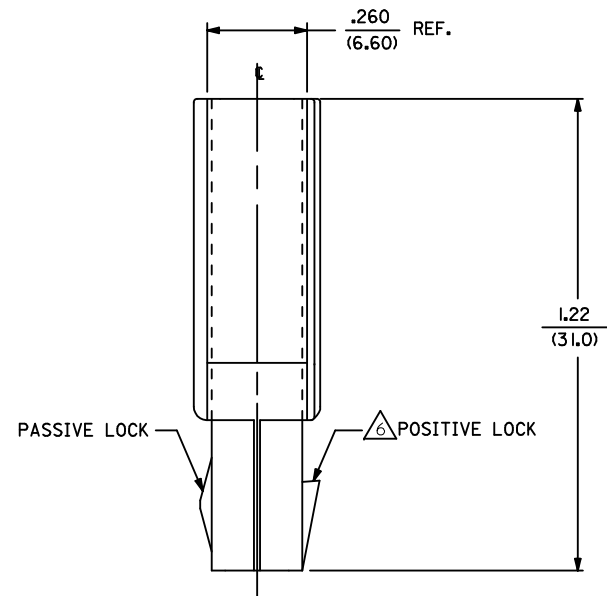
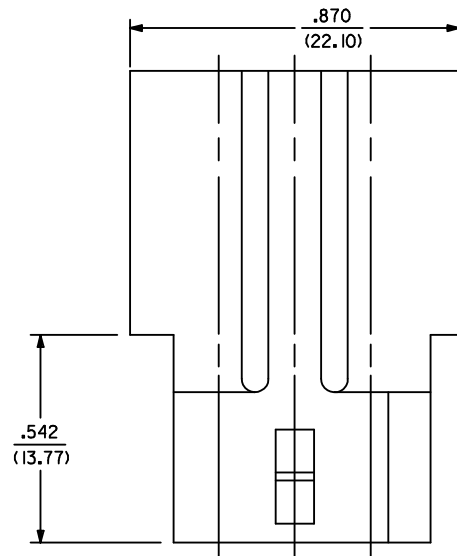
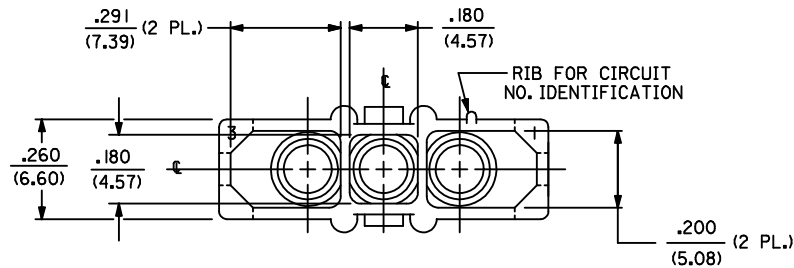


RIB FOR CIRCUIT NO. IDENTIFICATION



<b>REMOVE EARS</b> EC NO: UCP2015-1601 DRWN: JDFOX 2014/10/23 CHKD: MKIPPER 2014/10/23 APPR: FSMITH 2014/11/13	QUALITY SYMBOLS 	GENERAL TOLERANCES (UNLESS SPECIFIED)		DIMENSION STYLE <b>IN/MM</b>	SCALE <b>4:1</b>	DESIGN UNITS <b>INCH</b>	THIRD ANGLE PROJECTION	
		4 PLACES ± --- ± ---	DRAWN BY JDFOX	DATE 2014/10/23	TITLE <b>.093/(2.36) HOUSING          PLUG AND RECEPTACLE          3 CIRCUIT</b>			
		3 PLACES ± --- ± .010	CHECKED BY RW	DATE 2014/11/13				
		2 PLACES ± 0.25 ± .014	APPROVED BY FSMITH		DATE 2014/11/13		<b>molex</b> DOCUMENT NO. <b>SD-42191-3*</b>	
1 PLACE ± 0.36 ± ---	MATERIAL NO. <b>SEE CHART</b>		SHEET NO. <b>1 OF 3</b>					
0 PLACE ± --- ± ---	ANGULAR ±1/2°		THIS DRAWING CONTAINS INFORMATION THAT IS PROPRIETARY TO MOLEX INCORPORATED AND SHOULD NOT BE USED WITHOUT WRITTEN PERMISSION					
DRAFT WHERE APPLICABLE MUST REMAIN WITHIN DIMENSIONS								

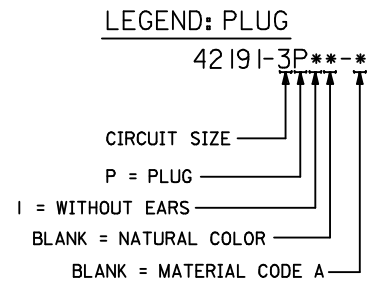


<b>SEE SHEET 1</b> EC NO: UCP2015-1601 DRWN: JDOX 2014/10/23 CHKD: HKIPPR 2014/10/23 APPR: FSMITH 2014/11/13	QUALITY SYMBOLS 	GENERAL TOLERANCES (UNLESS SPECIFIED)		DIMENSION STYLE <b>IN/MM</b>	SCALE <b>4:1</b>	DESIGN UNITS <b>INCH</b>	THIRD ANGLE PROJECTION		
		4 PLACES $\pm$ --- $\pm$ --- 3 PLACES $\pm$ --- $\pm$ .010 2 PLACES $\pm$ 0.25 $\pm$ .014 1 PLACE $\pm$ 0.36 $\pm$ --- 0 PLACE $\pm$ --- $\pm$ ---	mm INCH INCH mm	DRAWN BY JDOX	DATE 2014/10/23	TITLE <b>.093/(2.36) HOUSING          PLUG AND RECEPTACLE          3 CIRCUIT</b>			
		ANGULAR $\pm 1/2^\circ$		CHECKED BY RW	DATE 2014/10/23	<b>molex</b>			
		DRAFT WHERE APPLICABLE MUST REMAIN WITHIN DIMENSIONS		APPROVED BY FSMITH	DATE 2014/11/13	MATERIAL NO. <b>SEE CHART</b>	DOCUMENT NO. <b>SD-42191-3*</b>	SHEET NO. <b>2 OF 3</b>	

THIS DRAWING CONTAINS INFORMATION THAT IS PROPRIETARY TO MOLEX INCORPORATED AND SHOULD NOT BE USED WITHOUT WRITTEN PERMISSION

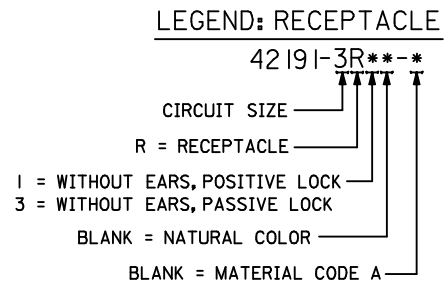
PLUG	
PART NO.	ENG. NO.
03-09-2171	42191-3P1

RECEPTACLE	
PART NO.	ENG. NO.
03-09-1171	42191-3R1
03-09-1173	42191-3R3



**NOTES:**

- MATERIAL CODES:  
A = NYLON TYPE 6/6, 94V-2
- FINISH: NONE
- PRODUCT SPECIFICATION: NONE
- PACKAGING INFORMATION: NONE
- ALL THREE CIRCUITS ACCEPT DOUBLE WIRE CRIMPS OF 18 AWG MAXIMUM. CIRCUIT NO'S. 1 AND 3 WILL EACH ALLOW ONE OF THE WIRES TO HAVE AN OVERSIZE INSULATION THICKNESS OF .062/(1.57). CIRCUIT NO. 2 REQUIRES THAT BOTH WIRES NOT EXCEED AN INSULATION THICKNESS OF .031/(0.79).
- LOCK RAMP STYLE IS OPTIONAL ON THIS SIDE OF PART. CHOICE OF EITHER A POSITIVE LOCK RAMP OR A PASSIVE LOCK RAMP IS AVAILABLE.
- PARTS CONFORM TO CLASS 'B' REQUIREMENTS OF COSMETIC SPECIFICATION PS-45499-002.



<b>SEE SHEET 1</b> EC NO: UCP2015-1601 DRWN: JDFOX 2014/10/23 CHKD: JHKIPPER 2014/10/23 APPR: FSMITH 2014/11/13	QUALITY SYMBOLS	GENERAL TOLERANCES (UNLESS SPECIFIED)	DIMENSION STYLE IN/MM	SCALE 1:1	DESIGN UNITS INCH	THIRD ANGLE PROJECTION
	▽=0	mm INCH	DRAWN BY DATE JDFOX 2014/10/23	TITLE .093/(2.36) HOUSING PLUG AND RECEPTACLE 3 CIRCUIT		
	▽=0	4 PLACES ± --- ± --- 3 PLACES ± --- ± .010 2 PLACES ± 0.25 ± .014 1 PLACE ± 0.36 ± --- 0 PLACE ± --- ± ---	CHECKED BY DATE RW	MATERIAL NO. DOCUMENT NO. <b>SEE CHART</b> SD-42191-3*		
	▽=0	ANGULAR ±1/2°	APPROVED BY DATE FSMITH 2014/11/13	SHEET NO. 3 OF 3		
		DRAFT WHERE APPLICABLE MUST REMAIN WITHIN DIMENSIONS	SIZE	THIS DRAWING CONTAINS INFORMATION THAT IS PROPRIETARY TO MOLEX INCORPORATED AND SHOULD NOT BE USED WITHOUT WRITTEN PERMISSION		