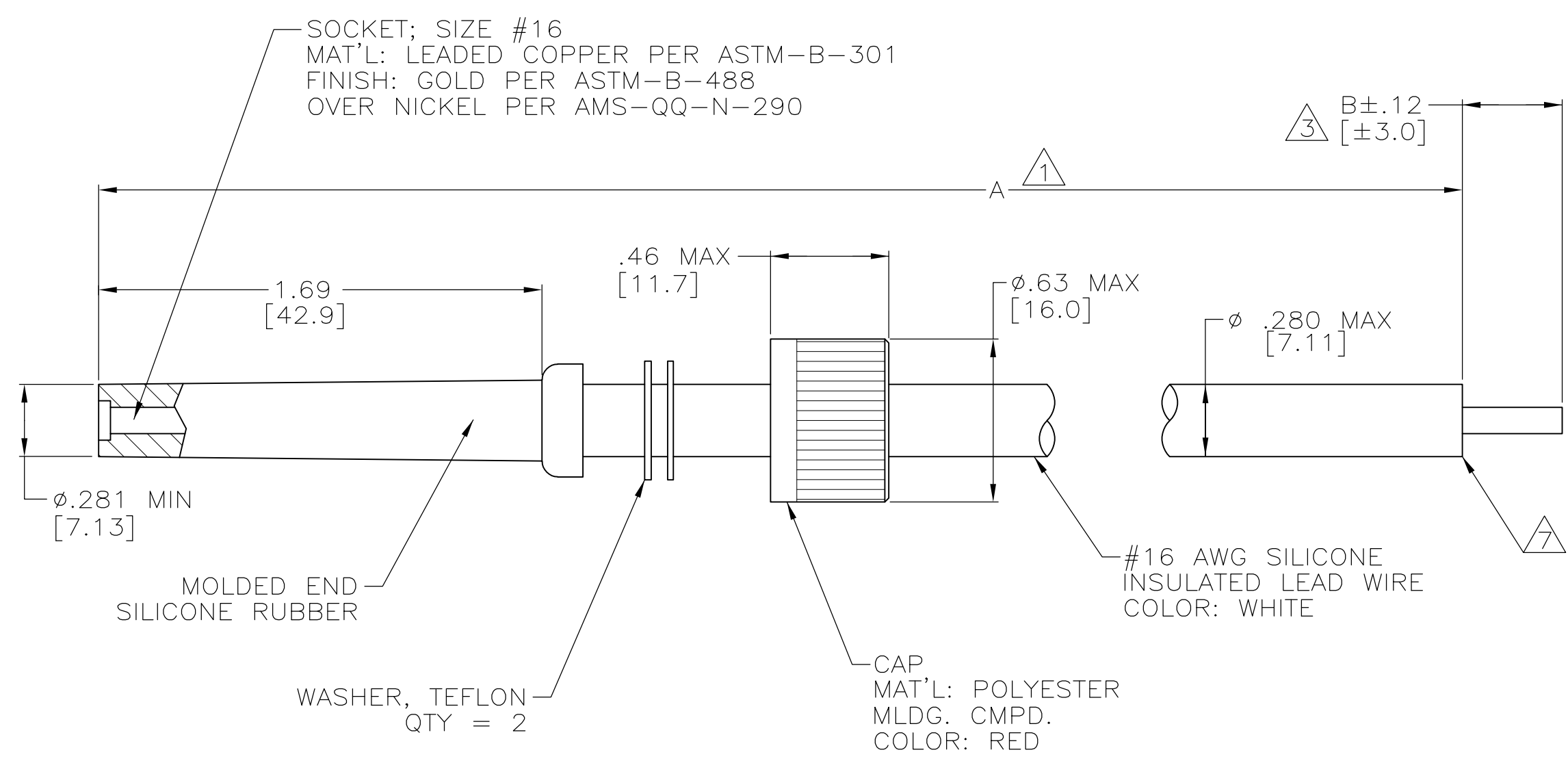


THIS DRAWING IS UNPUBLISHED. RELEASED FOR PUBLICATION - N/A -  
 © COPYRIGHT N/A By - ALL RIGHTS RESERVED.

LOC		DIST		REVISIONS			
P	LTR	DESCRIPTION	DATE	DWN	APVD		
J		REV PER ECO 12-021676	12-11-12	CT	DE		

PART NO.	A <sup>1</sup>	B	REMARKS
863705-1	11.00 [279.4]	-	<sup>3</sup> OBSOLETE
863705-2	24.00 [609.6]	-	<sup>3</sup> OBSOLETE
863705-3	6.50 [165.1]	.50 [12.7]	<sup>3</sup>
863705-4	9.00 [228.6]	-	<sup>3</sup> OBSOLETE
863705-5	36.00 [914.4]	.38 [9.7]	<sup>3</sup>
863705-6	30.00 [762.0]	-	<sup>3</sup>
863705-7	72.00 [1828.8]	-	<sup>3</sup> OBSOLETE
863705-8	47.25 [1200.1]	.50 [12.7]	<sup>3</sup> OBSOLETE
863705-9	20.25 [514.3]	.50 [12.7]	<sup>3</sup> OBSOLETE
1-863705-0	8.00 [203.2]	.50 [12.7]	<sup>3</sup>
1-863705-1	36.00 [914.4]	-	<sup>3</sup> OBSOLETE
1-863705-2	12.00 [304.8]	.38 [9.7]	<sup>3</sup>
1-863705-3	18.00 [457.2]	.38 [9.7]	<sup>3</sup> OBSOLETE
1-863705-4	108.00 [2743.2]	-	<sup>3</sup> OBSOLETE
1-863705-5	180.00 [4572.0]	-	<sup>3</sup> OBSOLETE
1-863705-6	60.00 [1524.0]	.38 [9.7]	<sup>3</sup>
1-863705-7	26.00 [660.4]	.38 [9.7]	<sup>3</sup> OBSOLETE
1-863705-8	42.00 [1066.8]	.38 [9.7]	<sup>3</sup> OBSOLETE
1-863705-9	54.00 [1371.6]	.38 [9.7]	<sup>3</sup> OBSOLETE
2-863705-0	5.00 [127.0]	.38 [9.7]	<sup>3</sup> OBSOLETE
2-863705-1	6.00 [152.4]	.38 [9.7]	<sup>3</sup> OBSOLETE
2-863705-2	264.00 [6705.6]	.38 [9.7]	<sup>3</sup> OBSOLETE
2-863705-3	17.00 [431.8]	.50 [12.7]	<sup>3</sup> OBSOLETE
2-863705-4	48.00 [1219.2]	.38 [9.7]	<sup>3</sup> OBSOLETE
2-863705-5	15.75 [400.0]	-	<sup>3</sup> OBSOLETE
2-863705-6	10.25 [260.3]	.38 [9.7]	<sup>3</sup>
2-863705-7	14.00 [355.6]	.38 [9.7]	<sup>3</sup> OBSOLETE
2-863705-8	24.00 [609.6]	.38 [9.7]	<sup>3</sup> OBSOLETE
2-863705-9	240.00 [6096.0]	.38 [9.7]	<sup>3</sup> OBSOLETE
3-863705-0	84.00 [2133.6]	.38 [9.7]	<sup>3</sup> OBSOLETE
3-863705-1	120.00 [3048.0]	.38 [9.7]	<sup>3</sup> OBSOLETE
3-863705-2	96.00 [2438.4]	.38 [9.7]	<sup>3</sup> OBSOLETE
3-863705-3	20.00 [508.0]	.38 [9.7]	<sup>3</sup> OBSOLETE
3-863705-4	15.00 [381.0]	.38 [9.7]	<sup>3</sup> OBSOLETE
3-863705-5	4.00 [101.6]	.38 [9.7]	<sup>3</sup>
3-863705-6	118.00 [2997.2]	.38 [9.7]	<sup>3</sup> OBSOLETE
3-863705-7	25.00 [635.0]	.38 [9.7]	<sup>3</sup> OBSOLETE
3-863705-8	30.00 [762.0]	.38 [9.7]	<sup>3</sup> OBSOLETE
3-863705-9	4.00 [101.6]	.38 [9.7]	<sup>3</sup> <sup>6</sup>
6-863705-0	8.00 [203.2]	.50 [12.7]	<sup>7</sup>
7-863705-8	24.00 [609.6]	.38 [9.7]	<sup>7</sup>

- <sup>1</sup> TOLERANCE OF LEAD LENGTH:  
UP TO 24 INCHES [609.6] = ±.12 [±3.0]  
24 INCHES [609.6] & UP = ±1%
- 2. MARKED PER MIL-STD-130.
- 3. PIGTAIL IS SOLDER DIPPED.
- 4. TO MATE WITH AMP LGH-1L RECEPTACLE WITH 1.69 [42.93] BARREL DEPTH.
- 5. OPERATING VOLTAGE: 25 KVDC AT 0 TO 70,000 FEET; -55°C TO 125°C.
- <sup>6</sup> 3-863705-9 IS PACKAGED PER CUSTOMER SPEC 301-0002-330.
- <sup>7</sup> INSULATION CUT, BUT NOT REMOVED.



THIS DRAWING IS A CONTROLLED DOCUMENT.		DWN C.C.THOMAS 24-MAR-93														
DIMENSIONS: INCHES [mm]		CHK S.GLATFELTER 01-APR-93														
TOLERANCES UNLESS OTHERWISE SPECIFIED:		APVD S.GLATFELTER 01-APR-93	NAME LEAD ASSY SGL END LGH-1L													
<table border="1"> <tr><td>0 PLC</td><td>± -</td></tr> <tr><td>1 PLC</td><td>± -</td></tr> <tr><td>2 PLC</td><td>± .02 [0.5]</td></tr> <tr><td>3 PLC</td><td>± -</td></tr> <tr><td>4 PLC</td><td>± -</td></tr> <tr><td>ANGLES</td><td>± -</td></tr> </table>		0 PLC	± -	1 PLC	± -	2 PLC	± .02 [0.5]	3 PLC	± -	4 PLC	± -	ANGLES	± -	PRODUCT SPEC -	SIZE A2	CAGE CODE 00779
0 PLC	± -															
1 PLC	± -															
2 PLC	± .02 [0.5]															
3 PLC	± -															
4 PLC	± -															
ANGLES	± -															
MATERIAL SEE CALLOUTS		FINISH SEE CALLOUTS	DRAWING NO 863705	RESTRICTED TO -												
CUSTOMER DRAWING		WEIGHT -	SCALE 2:1	SHEET 1 OF 1												