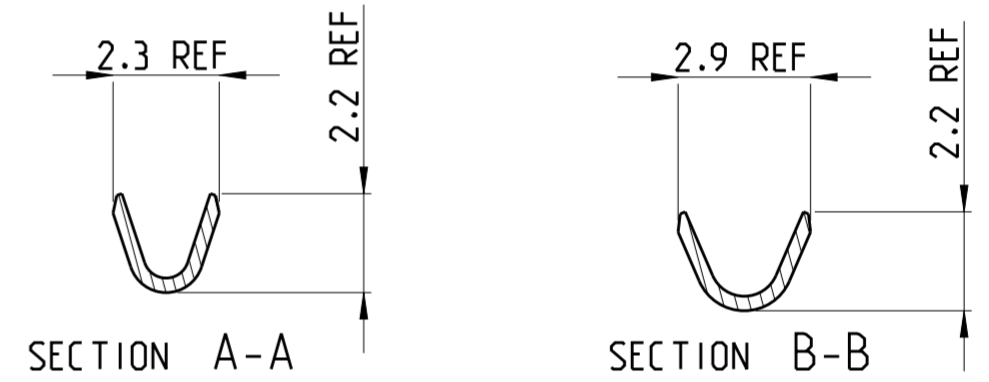
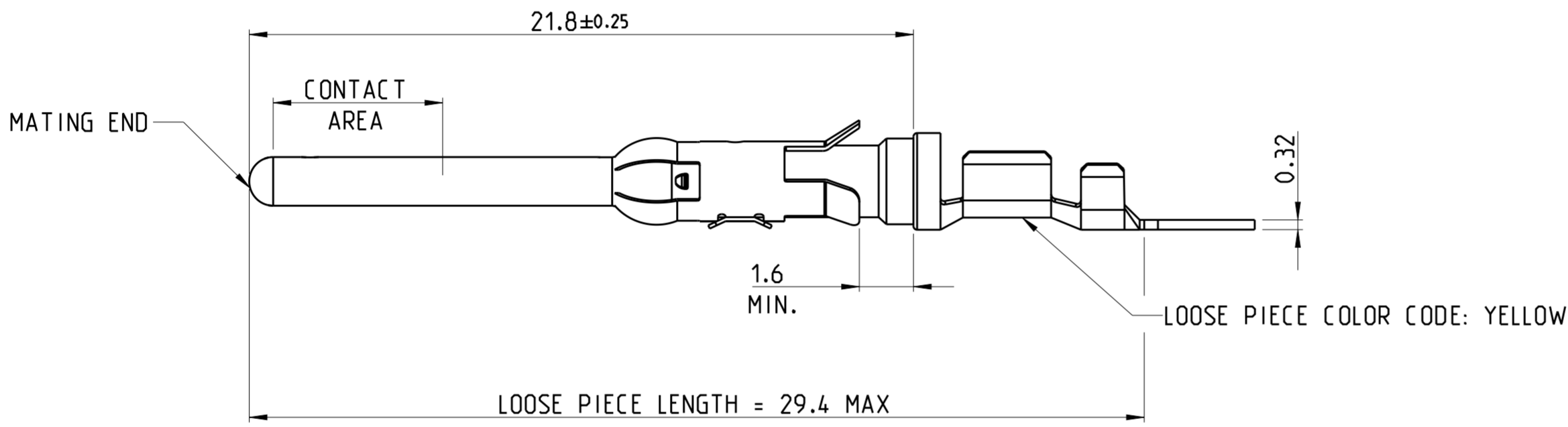
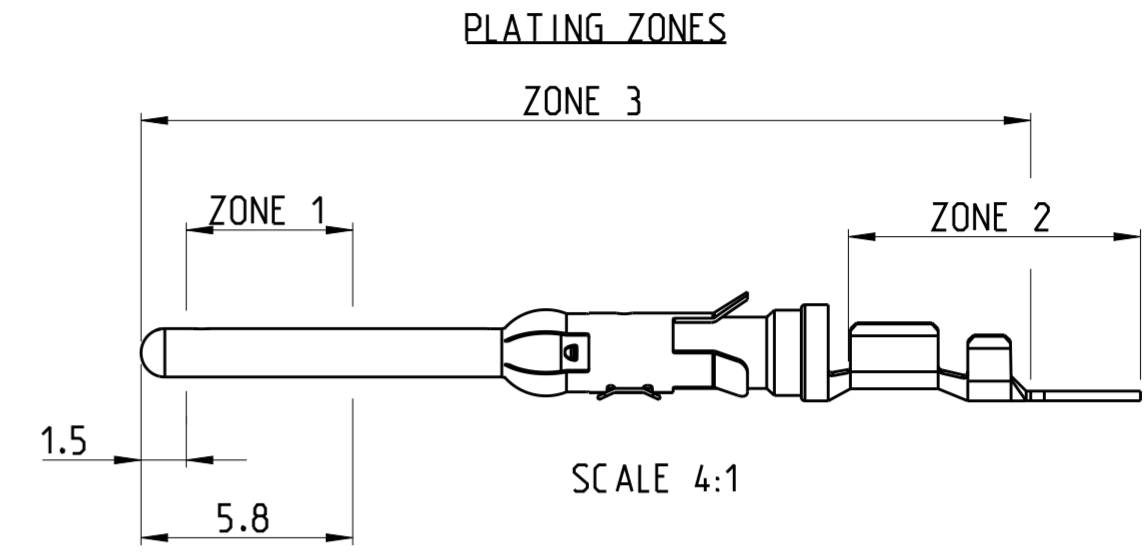
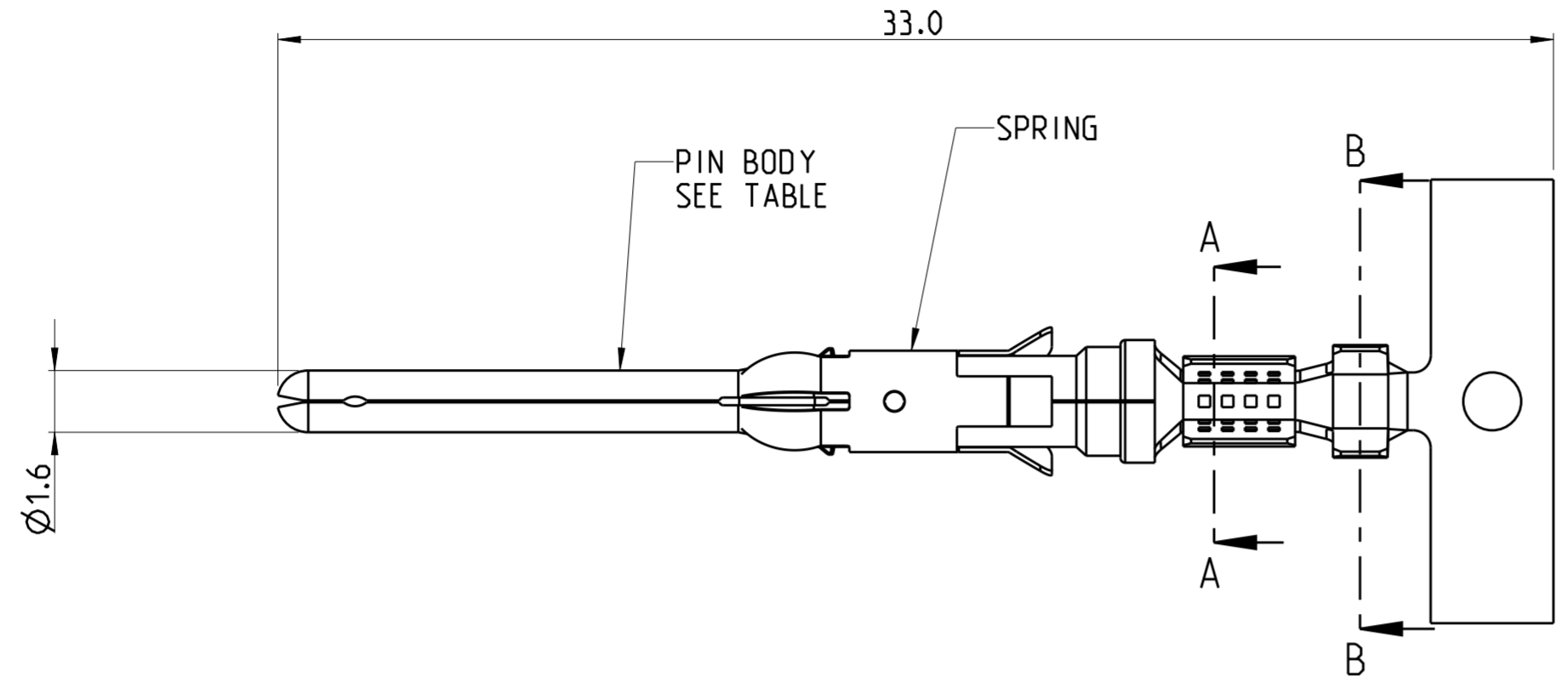
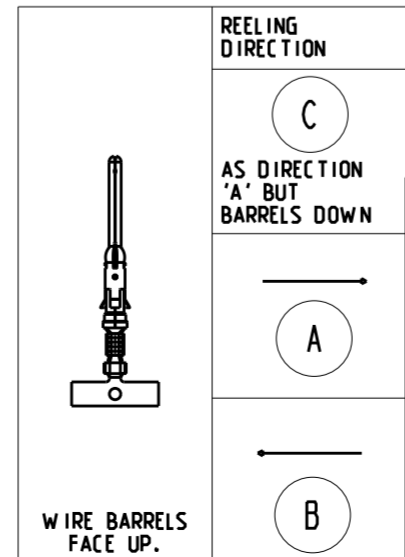


THIS DRAWING IS UNPUBLISHED. RELEASED FOR PUBLICATION 2011
 © COPYRIGHT 2011 ALL RIGHTS RESERVED.

LOC	DIST	REVISIONS			
P	LTR	DESCRIPTION	DATE	DWN	APVD
A1	-	H1	COLOR CODE DETAILS ADDED	04 JAN 2014	TJ JK
		H2	ADDITION OF NOTE 13. TEXT "REF" DIM 2.3 & 2.9 IN ZONE C1 & C2. "29.4 MAX" IN ZONE B3	21 JULY 2015	TJ PS



- 1 1.27 MICRON MIN NICKEL PLATE OVER ZONE 3.
0.76 MICRON MIN PRECIOUS METAL PLATE OVER ZONE 1.
1 MICRON MIN TIN PLATE OVER ZONE 2.
CONFORMS TO THE REQUIREMENTS OF TE CONNECTIVITY PRODUCT SPEC 108-10042
BASED ON EIA/ECA-364-1000.01A (CONTROLLED ENVIRONMENT APPLICATIONS)
- 2 1.27 MICRONS MIN NICKEL PLATE OVER ZONE 3.
0.76 MICRON MIN PRECIOUS METAL ELECTROPLATE OVER ZONE 1.
0.076 MICRON MIN GOLD FLASH PLATE OVER THE REMAINDER OF ZONE 3.
CONFORMS TO THE REQUIREMENTS OF TE CONNECTIVITY PRODUCT SPEC 108-10042
BASED ON EIA/ECA-364-1000.01A (CONTROLLED ENVIRONMENT APPLICATIONS)
- 3 1.54 - 2.54 MICRON SILVER PLATE OVER ZONE 3.
- 4 1.27 MICRON MIN NICKEL PLATE OVER ZONE 3.
0.76 MICRON MIN GOLD PLATE OVER ZONE 1.
0.076 MICRON MIN GOLDFLASH PLATE OVER THE REMAINDER OF ZONE 3.
- 5 1.27 MICRON MIN NICKEL PLATE OVER ZONE 3.
0.76 MICRON MIN GOLD PLATE OVER ZONE 1.
1 MICRON MIN TIN PLATE OVER ZONE 2.
- 6 HOT-DIPPED PRETIN
- 7 1.27 MICRONS MIN NICKEL PLATE OVER ZONE 3.
1 - 3 MICRON ELECTRO-TIN PLATE OVER ZONE 3
- 8 0.76 MICRON MIN NICKEL PLATE OVER ZONE 3 PER QQ-N-290
1.5 - 2.54 MICRON SILVER PLATE OVER ZONE 3.
- 9 SERRATIONS CAN BE MULTILOCK OR TWO SLOTS
- 10. WIRE RANGE: 0.20 - 0.50 mm² (24-20 AWG)
- 11. INSULATION RANGE: 1.1 - 1.8 mm (.043-.070) DIA
- 12 SPECIAL REEL WITH 200 PCS FOR REEL-FED HANDTOOL
- 13. OMISSION OF 6 CONTACTS MAX PER REEL OF 5000PCS



THIS DRAWING IS A CONTROLLED DOCUMENT.

DIMENSIONS:	TOLERANCES UNLESS OTHERWISE SPECIFIED:
mm	0 PLC ±0.5
	1 PLC ±0.25
	2 PLC ±0.15
	3 PLC ±0.15
	4 PLC ±
	ANGLES ±2°
MATERIAL	FINISH
SEE TABLE	

REELING	FINISH	SPRING MATERIAL	PIN BODY	LOOSE PIECE	PART NUMBER
A	7	STAINLESS STEEL	PHBR	164163-8	164160-8
A	1	STAINLESS STEEL	BRASS		164160-7
B	1	STAINLESS STEEL	BRASS	164163-4	164160-6
A	2	STAINLESS STEEL	BRASS	164163-2	164160-4
A	7	STAINLESS STEEL	BRASS	164163-1	164160-3
B	2	STAINLESS STEEL	BRASS		164160-2

STE TE Connectivity

J. BRIGHT 28/11/11
 M. GREENER 28/11/11

NAME: TYPE III+, SIZE 16, PIN ASS'Y
 LONG SERIES.
 24-20 AWG, 1.1-1.8mm DIA INSULATION

PRODUCT SPEC: 108-10042
 APPLICATION SPEC: 114-19000

SIZE: A2 CAGE CODE: 00779 DRAWING NO: 164160

CUSTOMER DRAWING SCALE: NTS SHEET 1 OF 1 REV H2