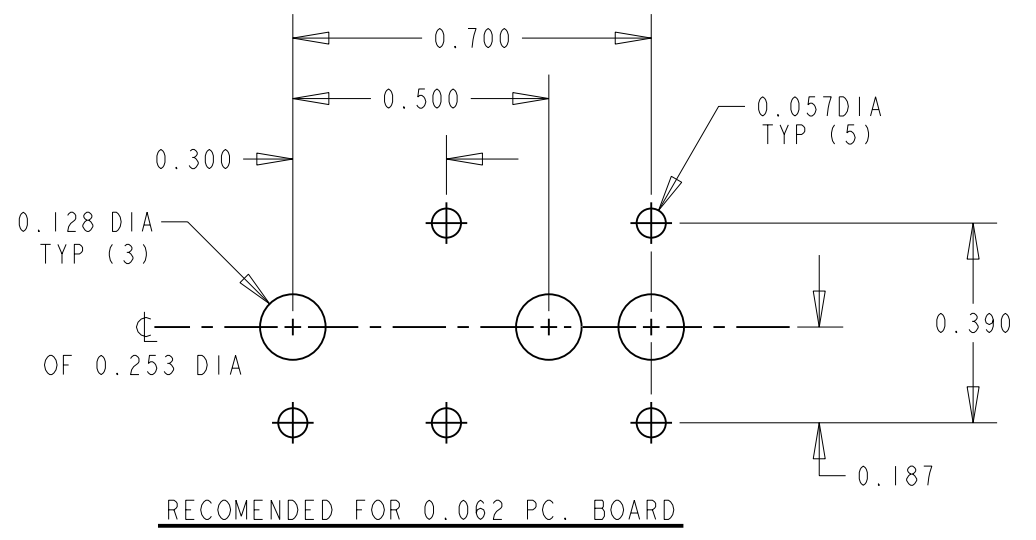
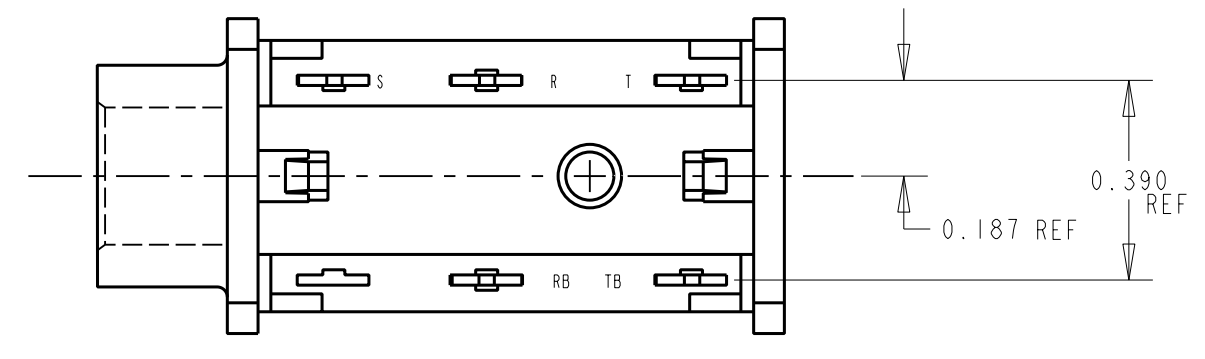
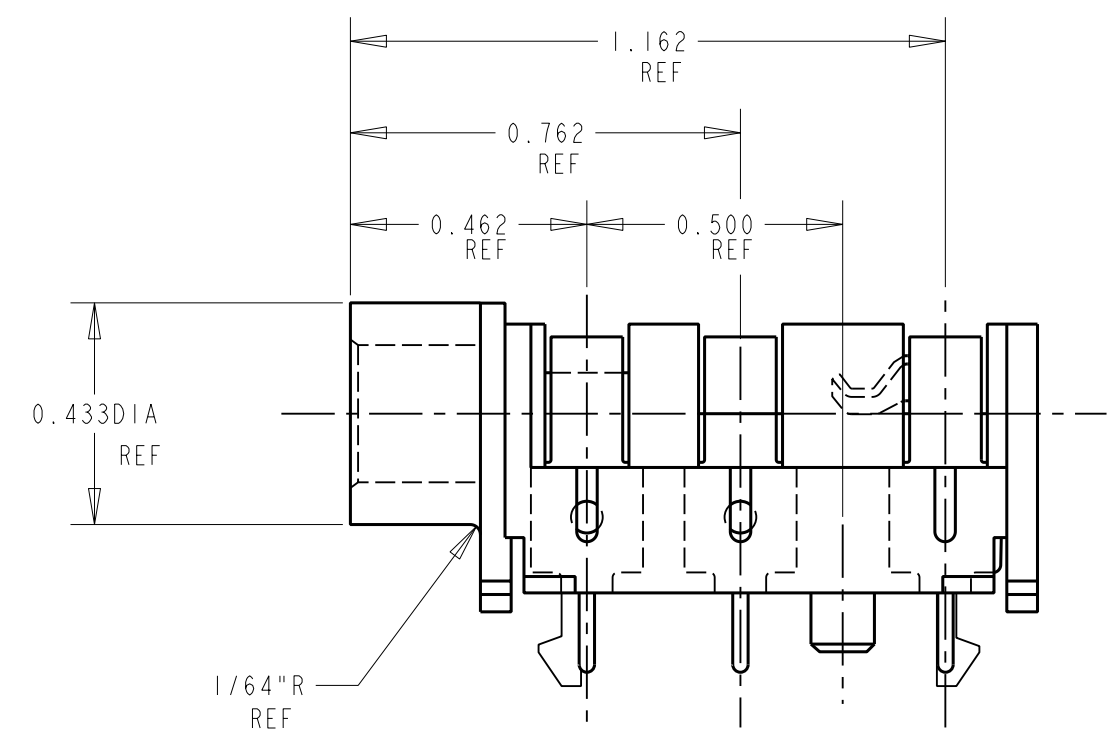
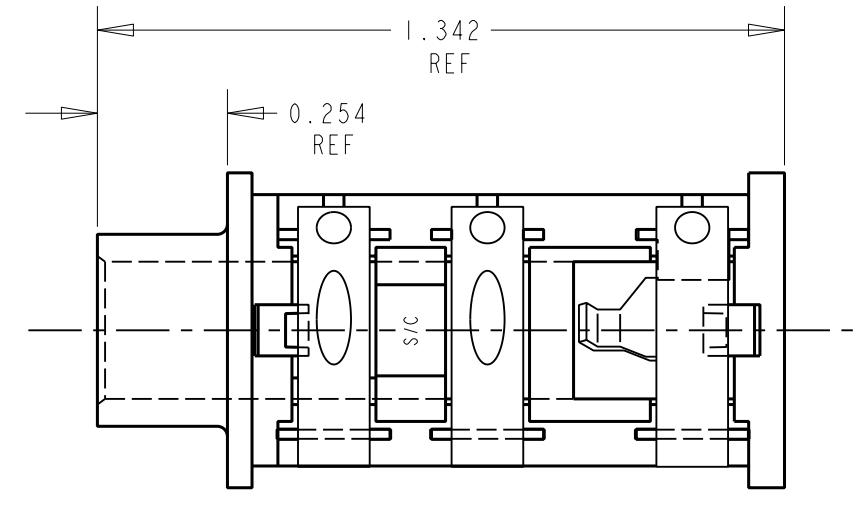
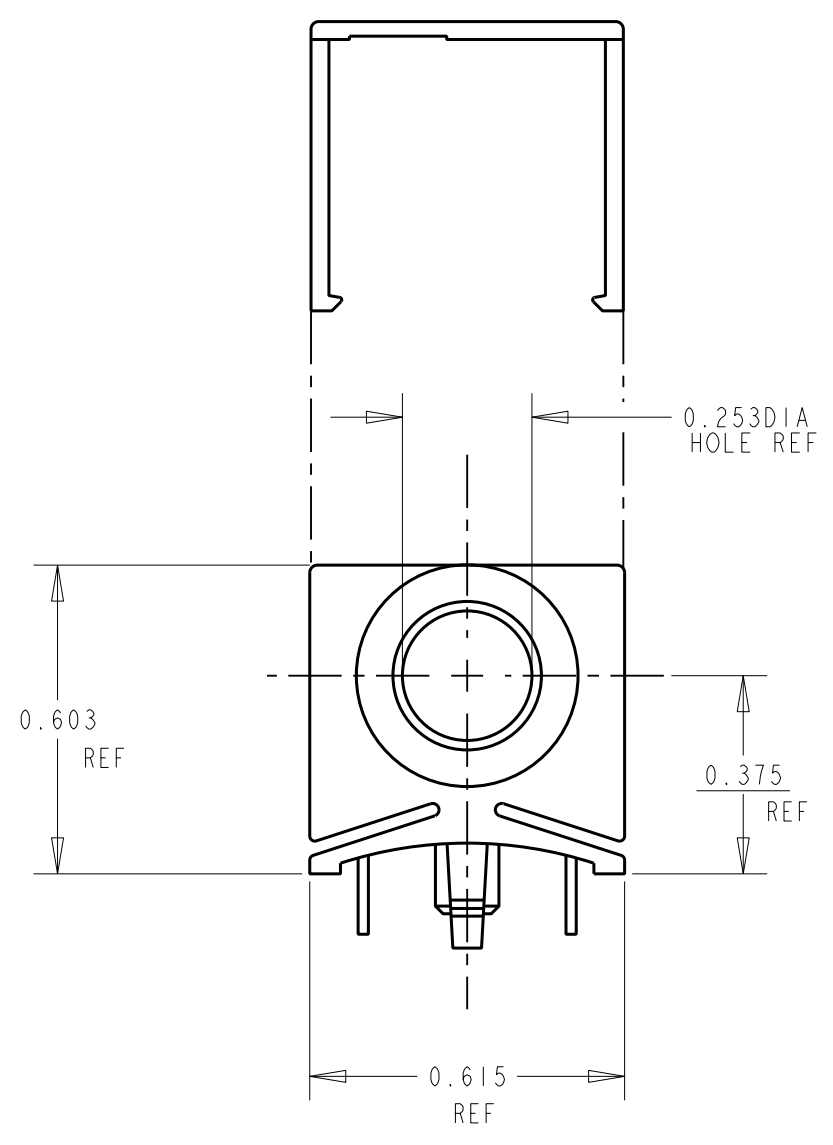


SERIES SN 37 AI

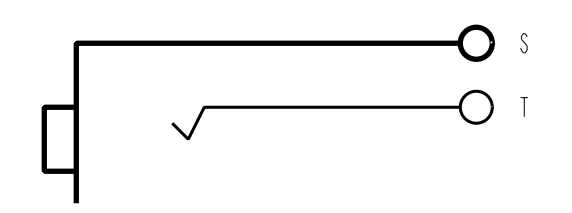
0.375 PLUG TO PC BOARD HEIGHT

INSULATED NON-THREADED BUSHING

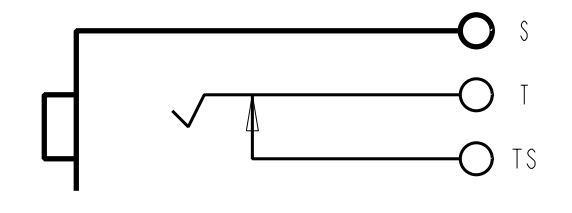
CIRCUITRY
 I - SCHEMATIC I
 2A - SCHEMATIC III
 2B - SCHEMATIC IV
 4B - SCHEMATIC XII



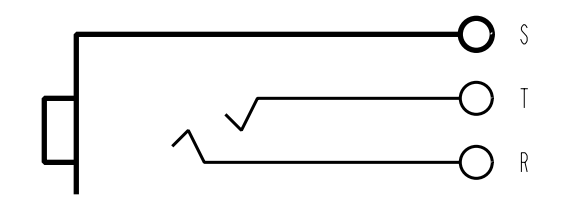
MATERIALS:
 HOUSING - THERMOPLASTIC, VALOX
 SPRINGS - NICKEL SILVER, SILVER PLATED
 CONTACTS - INTEGRAL, PART OF SHUNT SPRING



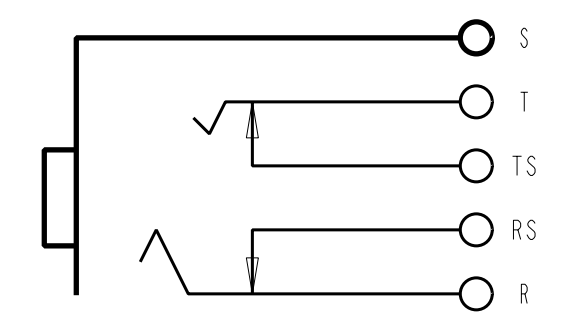
I SCHEMATIC



III SCHEMATIC



IV SCHEMATIC



XII SCHEMATIC

CUSTOMER DRAWING
 CAD/CAM DWG. NO.
 s.sn37a1_cd
 SHEET 1 OF 1

STAR SYMBOL DENOTES CRITICAL DIMENSION. SEE S/C ENGINEERING STANDARD ES-0001.				THIS DRAWING DESCRIBES A DESIGN CONSIDERED PROPRIETARY IN NATURE, DEVELOPED AND MANUFACTURED BY SWITCHCRAFT INC. AND IS RELEASED ON A CONFIDENTIAL BASIS FOR IDENTIFICATION PURPOSE ONLY.				
UNLESS OTHERWISE SPECIFIED				SIZE	WIDTH	MULT	LBS./M	TEMPER
1. ALL DIMENSIONS IN INCHES TWO PLACE DECIMAL ±.01 THREE PLACE DECIMAL ±.005 FRACTIONAL DIMENSIONS ±1/64 ANGLES ±1/2° ALL DIA'S CONCENTRIC WITHIN .005 T.I.R.				FINISH		MATERIAL		
2. REMOVE ALL BURRS 3. MAKE NO DIMENSIONAL ALLOWANCES FOR APPLIED FINISHES, I.E., PLATING, PAINTING, ETC.				SPEC. NO.		SPEC. NO.		
4. HOLES ON THE SAME CENTERLINE MUST BE ALIGNED WITHIN ±.002				FIRST USED ON		SCALE		
REVISIONS				DATE DRAWN		10-5-94		
DO NOT SCALE DRAWING				BY		APP'D		PHONE JACK PART NO. SN37A1 ISSUE A
A FIRST DRAWN 10-1-94 ES GHJ				10-1-94		ES GHJ 10-5-94		