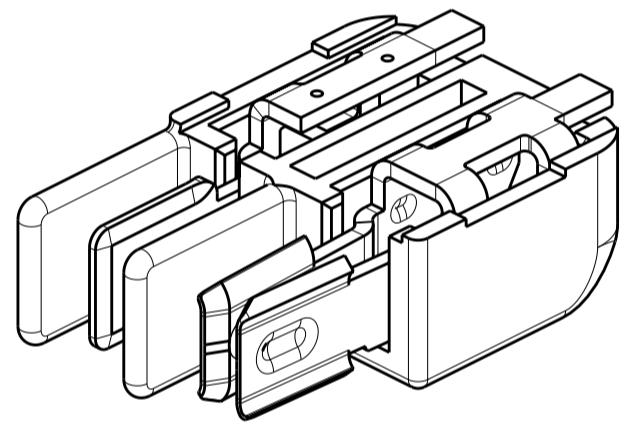
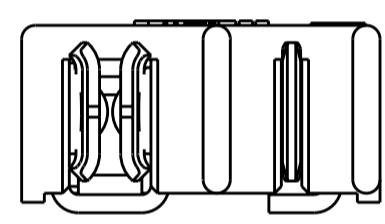
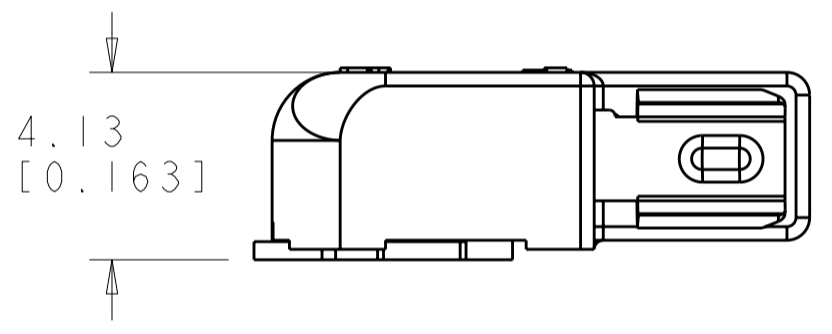
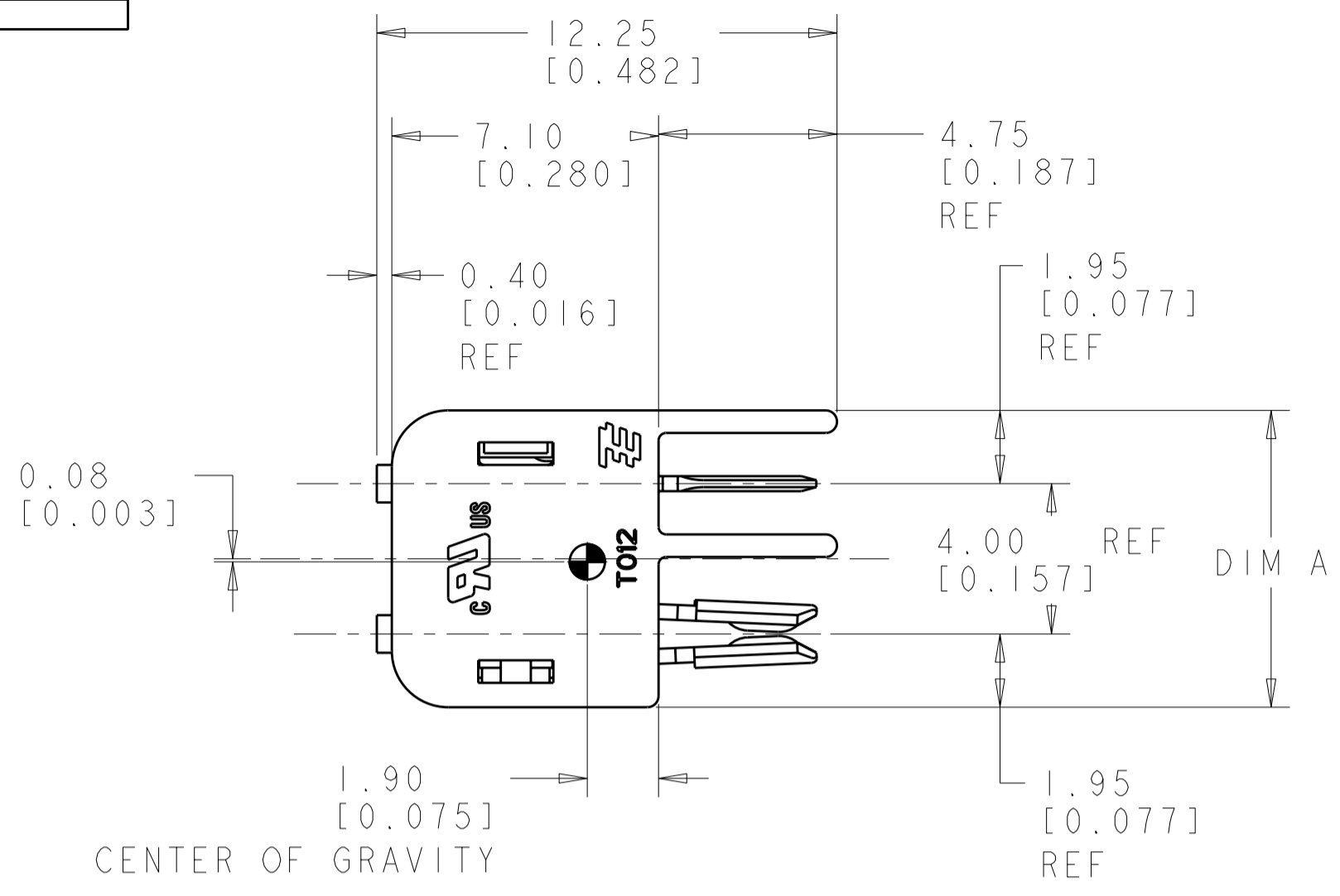


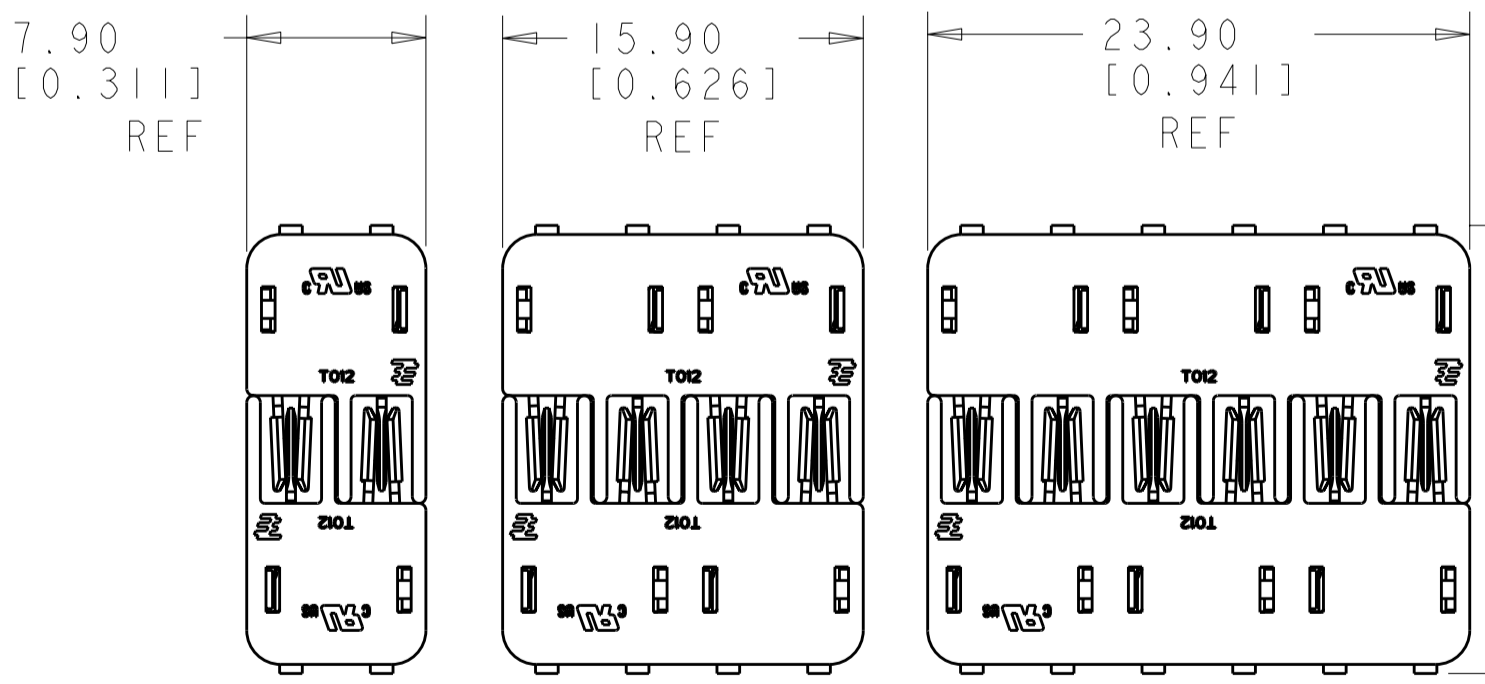
THIS DRAWING IS UNPUBLISHED. RELEASED FOR PUBLICATION 20  
 © COPYRIGHT 20 BY - ALL RIGHTS RESERVED.

| REVISIONS |     |                           |           |     |      |
|-----------|-----|---------------------------|-----------|-----|------|
| P         | LTR | DESCRIPTION               | DATE      | DWN | APVD |
| B1        |     | REVISED PER ECO-11-004587 | 11MAR2011 | RK  | HMR  |
| B2        |     | REVISED PER ECR-11-015304 | 29JUL2011 | RK  | DD   |

NOTES:  
 1 MATERIALS AND FINISH  
 - HOUSING: LCP  
 - CONTACTS: COPPER ALLOY,  
 FINISH: TIN  
 2 PRODUCT TO COMPLY WITH  
 DIRECTIVE 2002/95/EC (ROHS)  
 3 PACKAGED IN TAPE AND REEL  
 PER EIA-481 SPECIFICATIONS



1954289-1/  
 1-1954289-1  
 SHOWN



1954289-1/ 1954289-2/  
 1-1954289-1 1-1954289-2  
 SCALE 3:1 SCALE 3:1  
 1954289-3/  
 1-1954289-3  
 SCALE 3:1

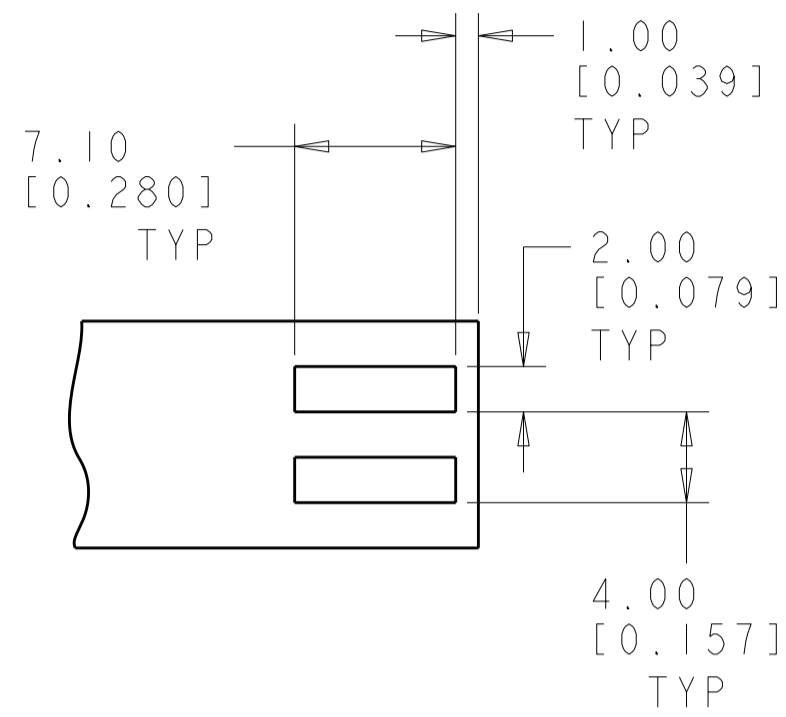
MATED PAIRS SHOWN FOR REFERENCE

| POSITION | COLOR   | DIM A | PART NO.    |
|----------|---------|-------|-------------|
| 6        | BLACK   | 23.90 | 1-1954289-3 |
| 4        | BLACK   | 15.90 | 1-1954289-2 |
| 2        | BLACK   | 7.90  | 1-1954289-1 |
| 6        | NATURAL | 23.90 | 1954289-3   |
| 4        | NATURAL | 15.90 | 1954289-2   |
| 2        | NATURAL | 7.90  | 1954289-1   |

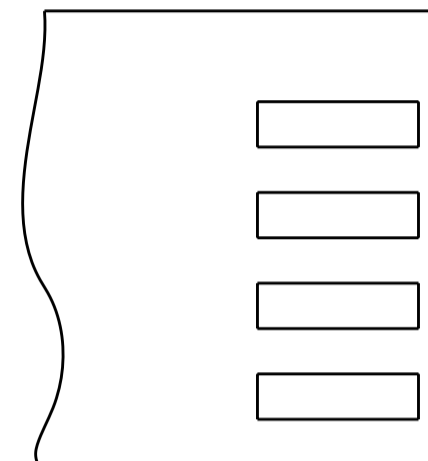
|  |  |  |                            |  |  |
|--|--|--|----------------------------|--|--|
| THIS DRAWING IS A CONTROLLED DOCUMENT. |  | DWN RAGHU 18DEC2006                    | <b>STE</b> TE Connectivity |  |  |
|  |  | CHK S. HORST 17APR2007                 |                            |  |  |
| DIMENSIONS: mm                         |  | TOLERANCES UNLESS OTHERWISE SPECIFIED: |                            | NAME CONNECTOR ASSEMBLY, HERMAPHRODITIC BLADE AND RECEPTACLE |  |
| 0 PLC ±-                               |  | 1 PLC ±-                               |                            | APVD -   |  |
| 2 PLC ±0.13                            |  | 3 PLC ±0.013                           |                            | PRODUCT SPEC 108-2342  |  |
| 4 PLC ±-                               |  | ANGLES ±°                              |                            | APPLICATION SPEC 114-13225                                   |  |
| FINISH                                 |  | MATERIAL                               |                            | SIZE CAGE CODE DRAWING NO                                    |  |
| CUSTOMER DRAWING                       |  | WEIGHT -                               |                            | A200779C-1954289   |  |
| SCALE 3:1                              |  | SHEET 1 OF 2                           |                            | RESTRICTED TO -  |  |
|  |  |  |                            | REV B2   |  |

THIS DRAWING IS UNPUBLISHED. RELEASED FOR PUBLICATION 20  
 © COPYRIGHT 20 BY - ALL RIGHTS RESERVED.

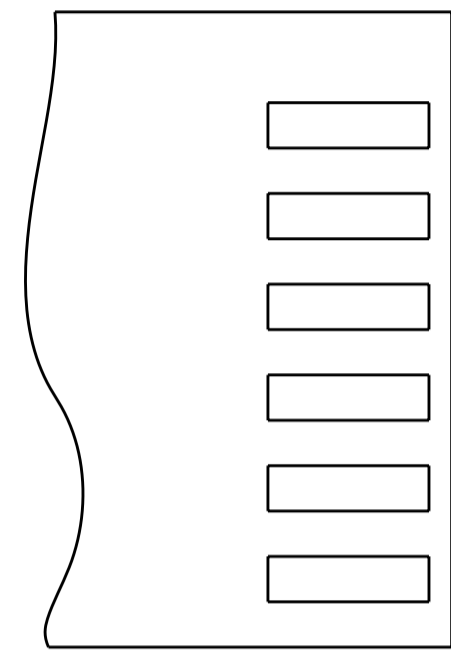
| LOC |     | DIST        |      | REVISIONS |      |  |  |
|-----|-----|-------------|------|-----------|------|--|--|
| P   | LTR | DESCRIPTION | DATE | DWN       | APVD |  |  |
| -   | -   | SEE SHEET 1 | -    | -         | -    |  |  |



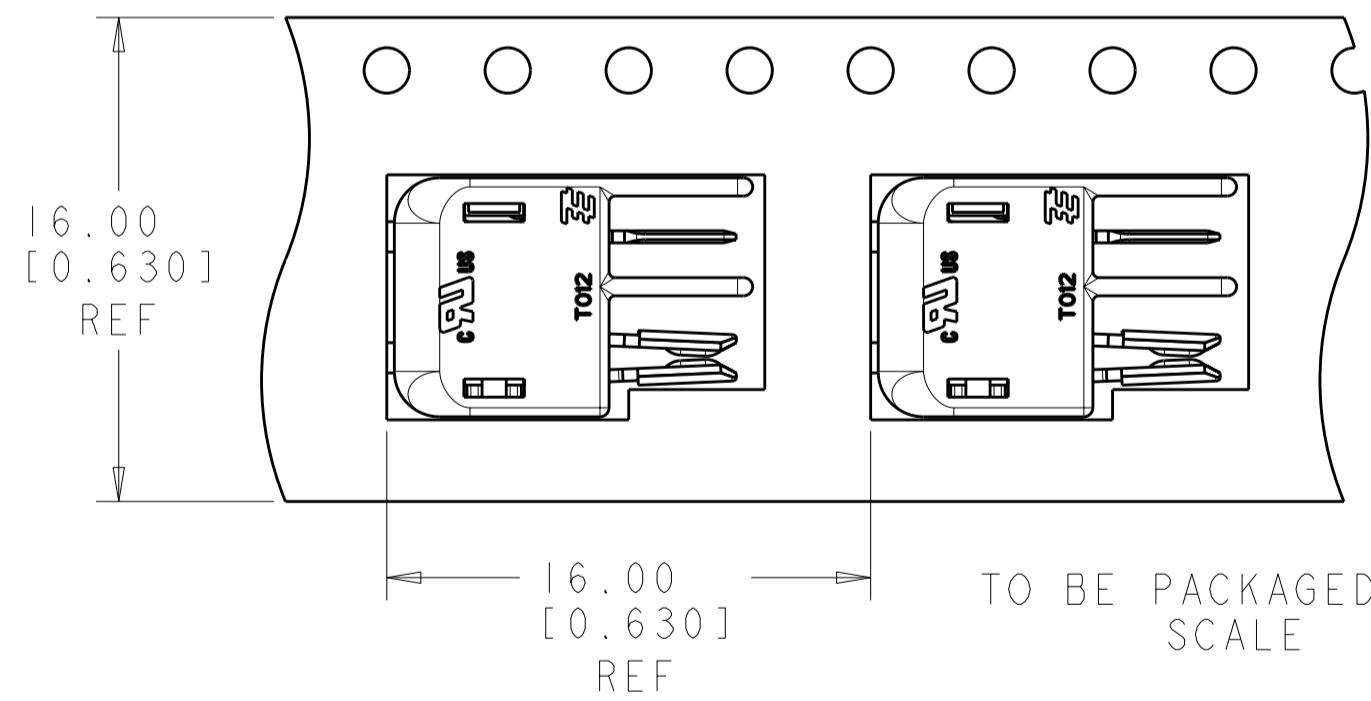
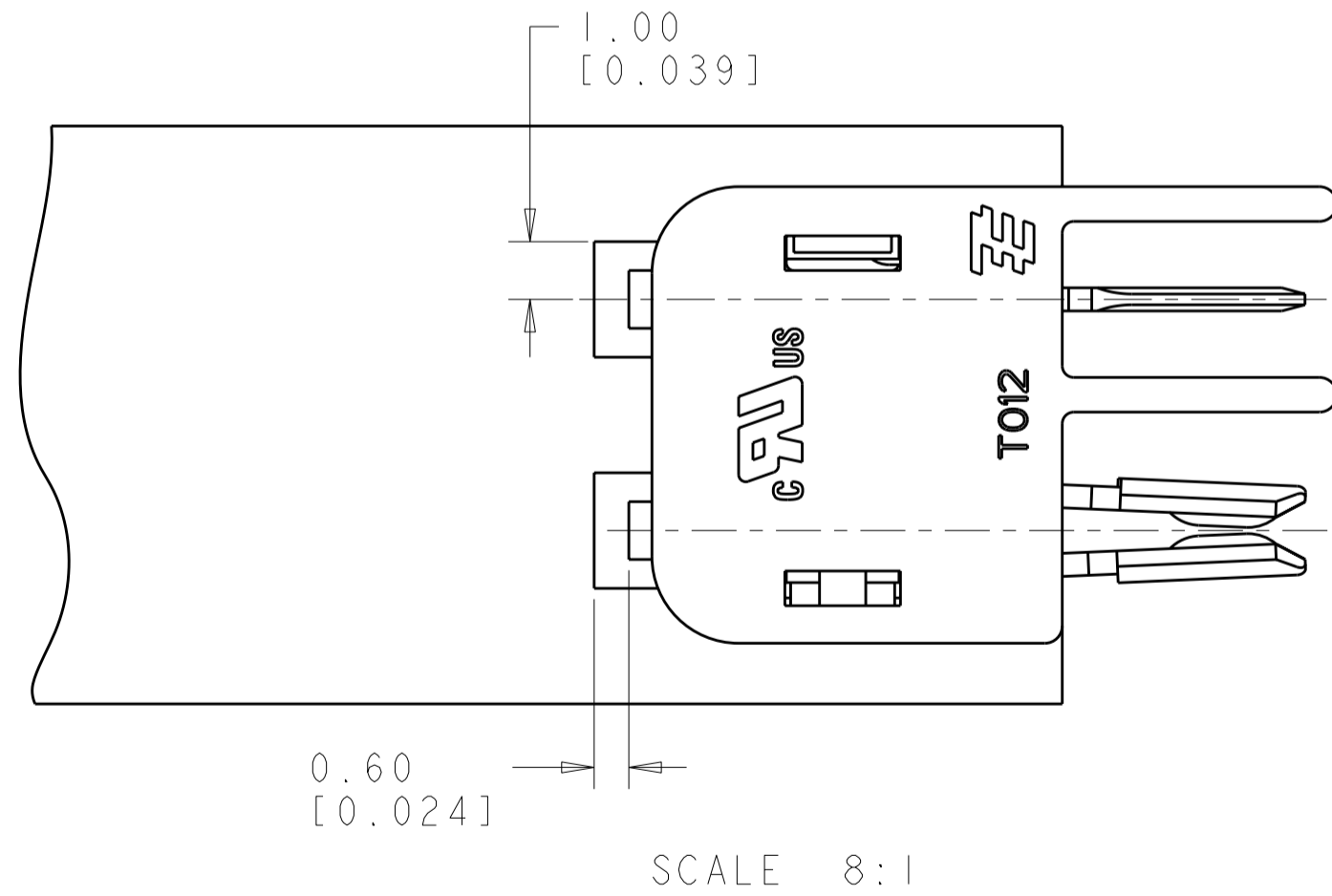
RECOMMENDED PCB LAYOUT FOR 1954289-1 & 1-1954289-1



RECOMMENDED PCB LAYOUT FOR 1954289-2 & 1-1954289-2



RECOMMENDED PCB LAYOUT FOR 1954289-3 & 1-1954289-3



|   |  |  |                            |   |
|---|--|--|----------------------------|---|
| THIS DRAWING IS A CONTROLLED DOCUMENT.  |  | DWN RAGHU 18DEC2006                    | <b>STE</b> TE Connectivity |   |
|   |  | CHK S_HORST 17APR2007                  |                            |   |
| DIMENSIONS: mm  |  | TOLERANCES UNLESS OTHERWISE SPECIFIED: |                            | NAME  |
| <ul style="list-style-type: none"> <li>0 PLC ±</li> <li>1 PLC ±</li> <li>2 PLC ±0.13</li> <li>3 PLC ±0.013</li> <li>4 PLC ±</li> <li>ANGLES ±°</li> <li>FINISH</li> </ul> |  | APVD -                                 | PRODUCT SPEC 108-2342      | CONNECTOR ASSEMBLY, HERMAPHRODITIC BLADE AND RECEPTACLE |
| MATERIAL -  |  | APVD -                                 | APPLICATION SPEC 114-13225 | RESTRICTED TO -   |
|   |  | WEIGHT -                               | SIZE A200779               | CAGE CODE C-1954289                                     |
|   |  | CUSTOMER DRAWING                       | SCALE 3:1                  | SHEET 2 OF 2 REV B2                                     |