

4

3

2

1

THIS DRAWING IS UNPUBLISHED.

RELEASED FOR PUBLICATION

2011

LOC

DIST

REVISIONS

© COPYRIGHT 2011

ALL RIGHTS RESERVED.

P	LTR	DESCRIPTION	DATE	DWN	APVD
4		REVISED	02MAY13	KR	JC
5		UPDATED	22JUL2013	MZ	JC
6		REVISED LATCH SHAPE	09AUG2013	KR	JC
A		PARTS RELEASED FOR PRODUCTION	12NOV2013	MZ	JC

NOTES:

1 MATERIAL: PA GF (NATURAL AND BLACK COLOUR)
 2 ALL POLARIZATION KEYS SHOWN FOR REF ONLY
 3 WAYS I.D.
 4 VOLTAGE AND CURRENT RATINGS
 5 RIB CLOSING CAVITIES BY CHANGE OVER
 6 TE LOGO
 7 TE PART NUMBER
 8 DATA CODE AND CAVITY I.D.
 9 AREA FOR AGENCIES APPROVAL LOGO
 10 VISUAL INDICATOR FOR PE CONDUCTOR

11) SEE C-DRAWING 293682 (LOCKING CAP) TO GET IP 40

12 IP CODE
 13 POLARISATION KEY "TYPE D" SUITABLE FOR DALI APPLICATION

SCALE 1:1

THIS DRAWING IS A CONTROLLED DOCUMENT.

DWN M. ZUCCA 31MAR2011

CHK M. ZUCCA 31MAR2011

APVD G. TURCO 31MAR2011

PRODUCT SPEC

APPLICATION SPEC

WEIGHT

Customer Drawing

DIMENSIONS:

mm

MATERIAL

TOLERANCES UNLESS OTHERWISE SPECIFIED:

0 PLC ±
 1 PLC ±0.3
 2 PLC ±0.20
 3 PLC ±
 4 PLC ±
 ANGLES ±3°
 FINISH -

TE Connectivity

NAME
 PIN HOUSING FREE HANGING
 NECTOR* M-LINE 5 POLES
 UNSEALED VERSION

SIZE	CAGE CODE	DRAWING NO	RESTRICTED TO
------	-----------	------------	---------------

A300779	C-293616		
---------	----------	--	--

SCALE 2:1	SHEET 1 OF 2	REV A
-----------	--------------	-------

1470-19 (3/11)

THIS DRAWING IS UNPUBLISHED.

RELEASED FOR PUBLICATION

2011

© COPYRIGHT 2011

ALL RIGHTS RESERVED.

LOC

DIST

REVISIONS

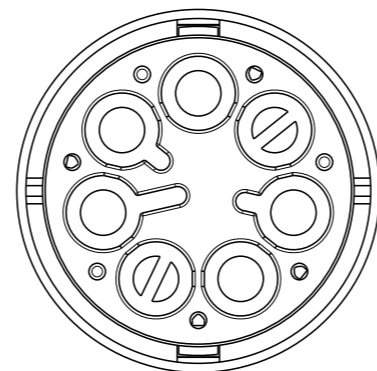
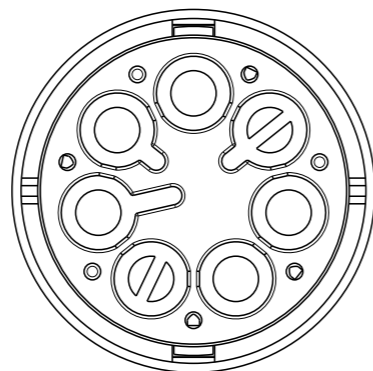
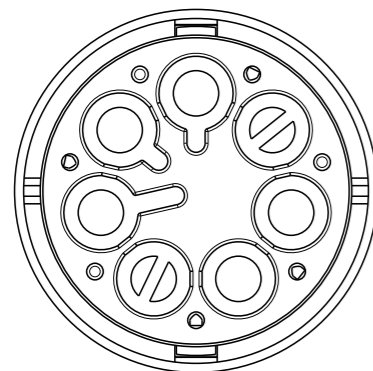
P	LTR	DESCRIPTION	DATE	DWN	APVD
-	-	SEE SHEET 1	-	-	-

POLARIZATION TYPES

POLARIZATION TYPE "A"

POLARIZATION TYPE "B"

POLARIZATION TYPE "C"



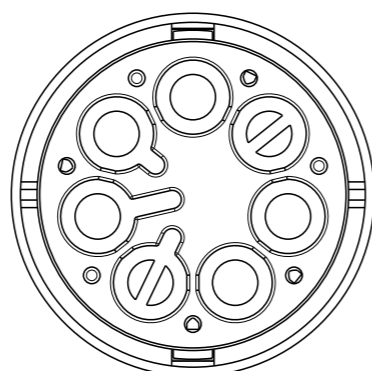
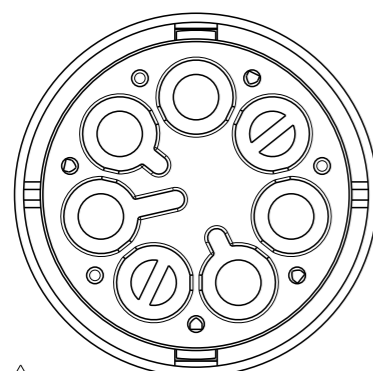
PNs 0-293616-1
AND 0-293616-1

PNs 0-293616-2
AND 0-293616-2

PNs 0-293616-3
AND 0-293616-3

POLARIZATION TYPE "D"

POLARIZATION TYPE "E"



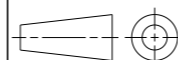
PNs 0-293616-4
AND 0-293616-4

PNs 0-293616-5
AND 1-293616-5

	E	BLACK	PIN HOUSING FREE HANG. NECTOR* M-LINE 5 POLES	A	1-293616-5
	D	BLACK	PIN HOUSING FREE HANG. NECTOR* M-LINE 5 POLES	A	1-293616-4
	C	BLACK	PIN HOUSING FREE HANG. NECTOR* M-LINE 5 POLES	A	1-293616-3
	B	BLACK	PIN HOUSING FREE HANG. NECTOR* M-LINE 5 POLES	A	1-293616-2
	A	BLACK	PIN HOUSING FREE HANG. NECTOR* M-LINE 5 POLES	A	1-293616-1
	E	NATURAL	PIN HOUSING FREE HANG. NECTOR* M-LINE 5 POLES	A	0-293616-5
	D	NATURAL	PIN HOUSING FREE HANG. NECTOR* M-LINE 5 POLES	A	0-293616-4
	C	NATURAL	PIN HOUSING FREE HANG. NECTOR* M-LINE 5 POLES	A	0-293616-3
	B	NATURAL	PIN HOUSING FREE HANG. NECTOR* M-LINE 5 POLES	A	0-293616-2
	A	NATURAL	PIN HOUSING FREE HANG. NECTOR* M-LINE 5 POLES	A	0-293616-1
NOTE	POL. KEYING	COLOUR	DESCRIPTION	REV.	PART NUMBER

THIS DRAWING IS A CONTROLLED DOCUMENT.

DIMENSIONS:
mm



TOLERANCES UNLESS OTHERWISE SPECIFIED:

0 PLC	±
1 PLC	±0.3
2 PLC	±0.20
3 PLC	±
4 PLC	±
ANGLES	±3°
FINISH	-

MATERIAL

-

FINISH

-

DWN 31MAR2011

M. ZUCCA

CHK 31MAR2011

M. ZUCCA

APVD 31MAR2011

G. TURCO

PRODUCT SPEC

-

APPLICATION SPEC

-

WEIGHT

-

Customer Drawing

-

NAME

PIN HOUSING FREE HANGING NECTOR* M-LINE 5 POLES UNSEALED VERSION

SIZE

A300779

CAGE CODE

G-293616

DRAWING NO

-

RESTRICTED TO

-

SCALE

2:1

SHEET

2

OF

2

REV

A



TE Connectivity