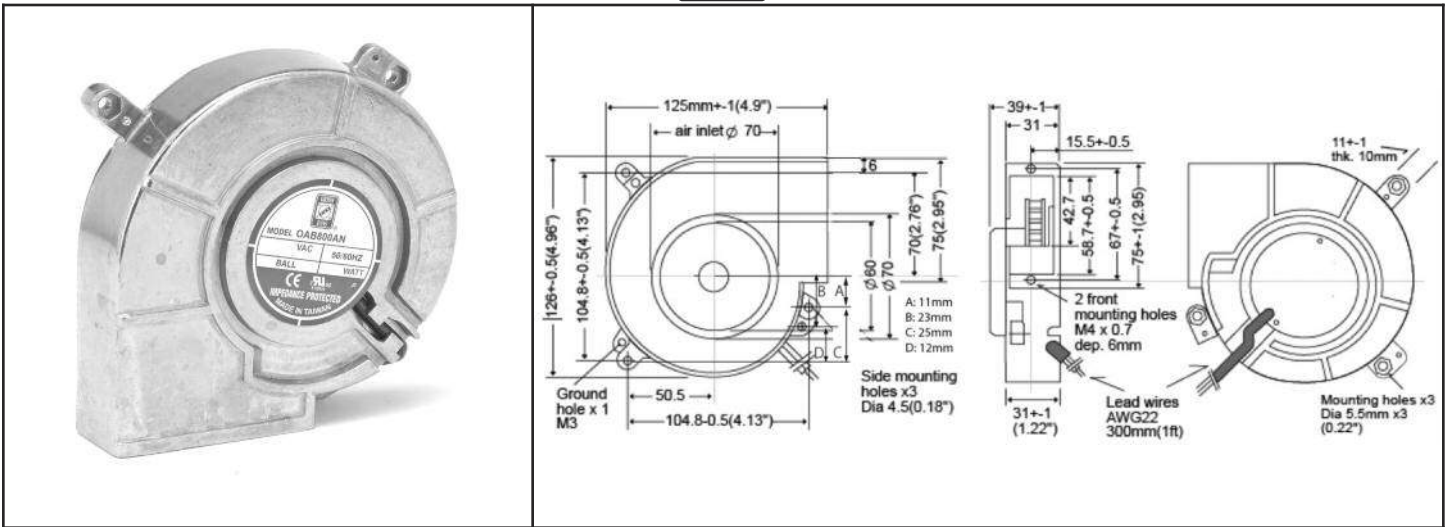


OAB800AN Series



AC Blower, ball bearing, 115V, 230V
125 x 126 x 39mm (4.9" x 5" x 1.5")



Side Inlet Blower		<p>Operating Temp: Ambient non-condensing allowable thermal range -20C~+75C Storage Temp -30C ~ +80C</p> <p>-L10 Life: MTBF life test 85,000 hours at +45C, 40,000 hours at +60C</p> <p>-Dielectric Strength: Over 1 min. at 1,500 VAC, 0.5mA, 50/60 Hz</p> <p>-Insulation Resistance: Over 100 Mega Ohm at DC 500V</p> <p style="text-align: right;">m0</p>	
Frame & Impeller	Aluminum die-cast shell with UL94V-0 impeller		
Connection	Lead Wires		
Motor	Shaded pole, inner rotor, single phase, impedance protected		
Bearing System	Dual ball - sealed		

Model Number	Speed (RPM)	Airflow (CFM)	Noise (dB)	Volts AC	Input Power (Watts)	Voltage Range	Max. Static Pressure ("H ₂ O)
OAB800AN-11-1WB	2,800	30	48	115	18	100~120	0.51
OAB800AN-11-2WB	2,100	22	39	115	12	100~120	0.35
OAB800AN-11-3WB	1,400	14	28	115	9	100~120	0.19
OAB800AN-22-1WB	2,800	30	48	230	18	200~240	0.51
OAB800AN-22-2WB	2,100	22	39	230	12	200~240	0.35
OAB800AN-22-3WB	1,400	14	28	230	9	200~240	0.19

All models come standard with wire leads even if there is not a "W" in the part number.