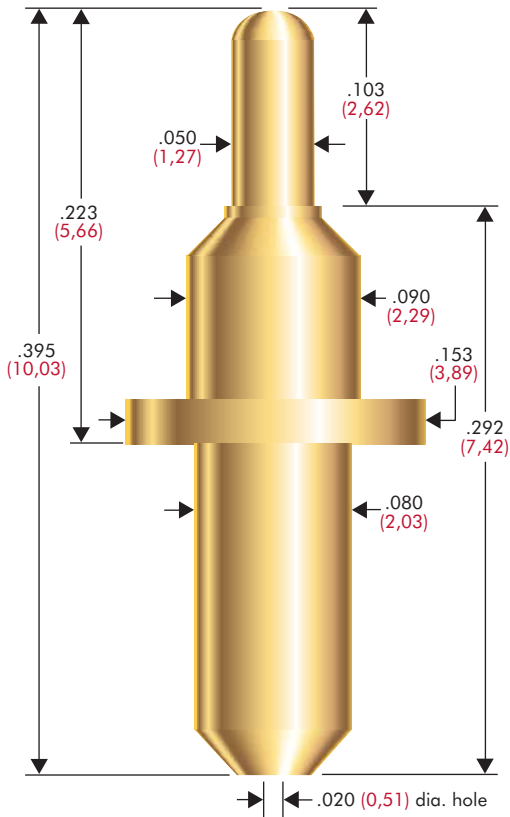
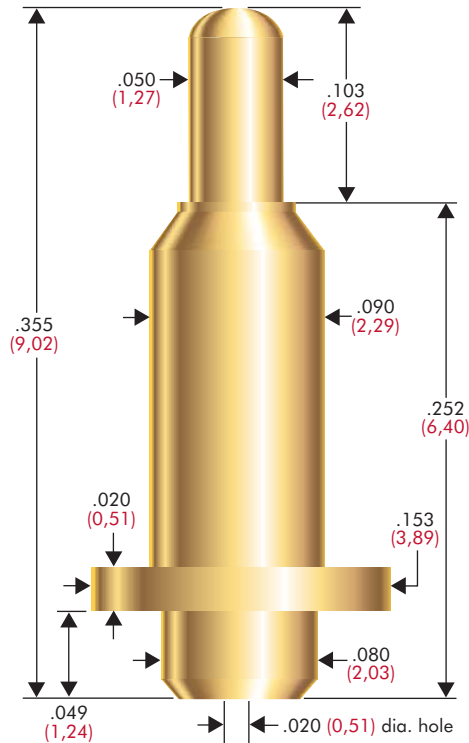


100410 BATTERY CONTACT



100891 BATTERY CONTACT



PROBE SPECIFICATIONS

Minimum Centers: .175 (4,45)
Current Rating: 10 amps continuous
 (Individual probe in free air @ ambient temperature)
Spring Force: 6.2 oz. @ .060 (1,52) travel
Contact Resistance: <10 mΩ
Maximum Travel: .090 (2,29)
Working Travel: .060 (1,52)

MATERIALS

Barrel: Nickel/silver, gold plated
Spring: Stainless steel, gold plated
Plunger: Full-hard beryllium copper, gold plated
Bias Ball: Stainless steel, gold plated
Special Features: Mounting flange, bias ball

HOW TO ORDER

100410-005

PROBE SPECIFICATIONS

Minimum Centers: .175 (4,45)
Current Rating: 10 amps continuous
 (Individual probe in free air @ ambient temperature)
Spring Force: 9.0 oz. @ .067 (1,70) travel
Contact Resistance: <15 mΩ
Maximum Travel: .100 (2,54)
Working Travel: .067 (1,70)

MATERIALS

Barrel: Nickel/silver, gold plated
Spring: Stainless steel, gold plated
Plunger: Full-hard beryllium copper, gold plated
Special Feature: Mounting flange

HOW TO ORDER

100891-002