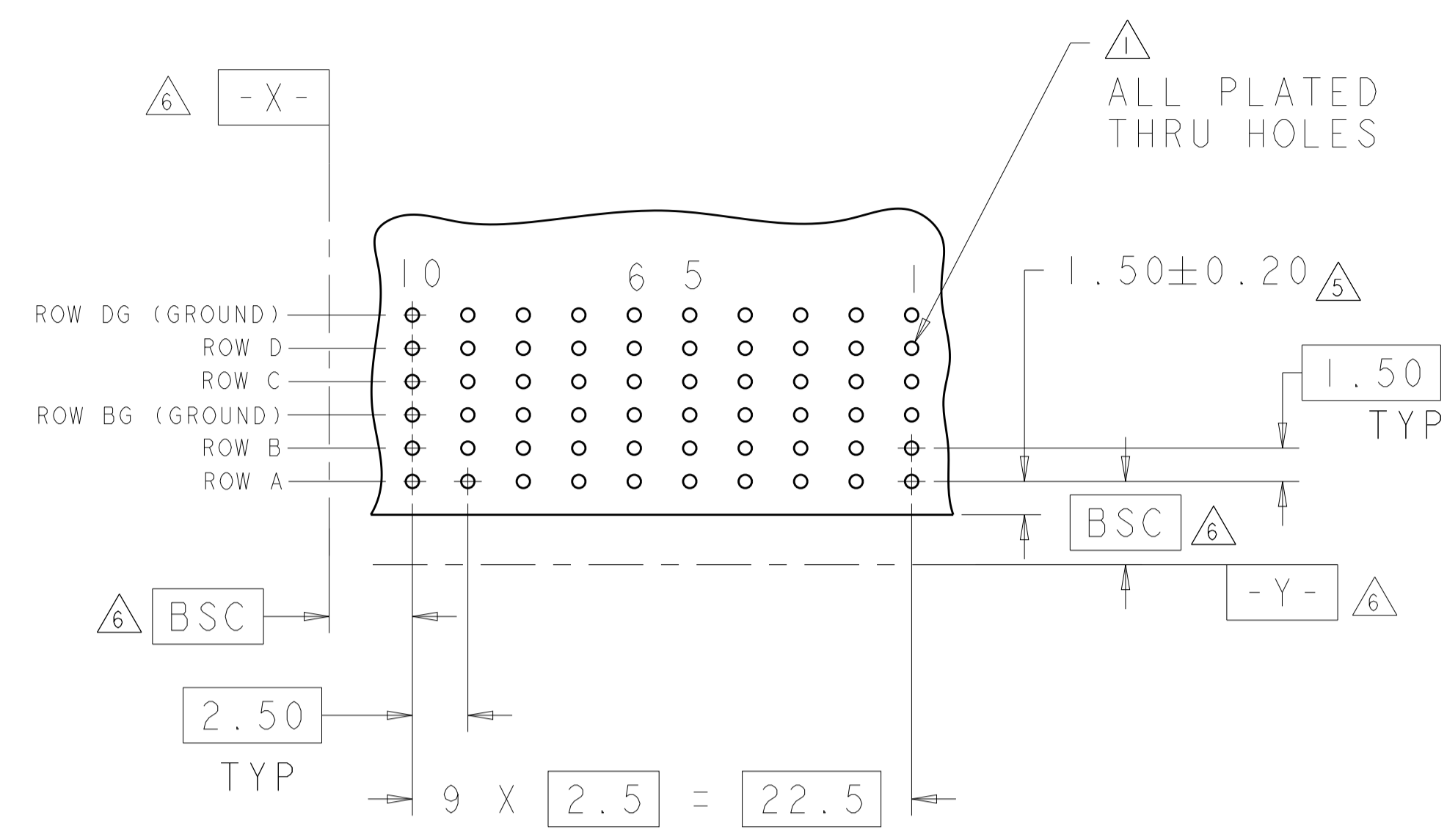
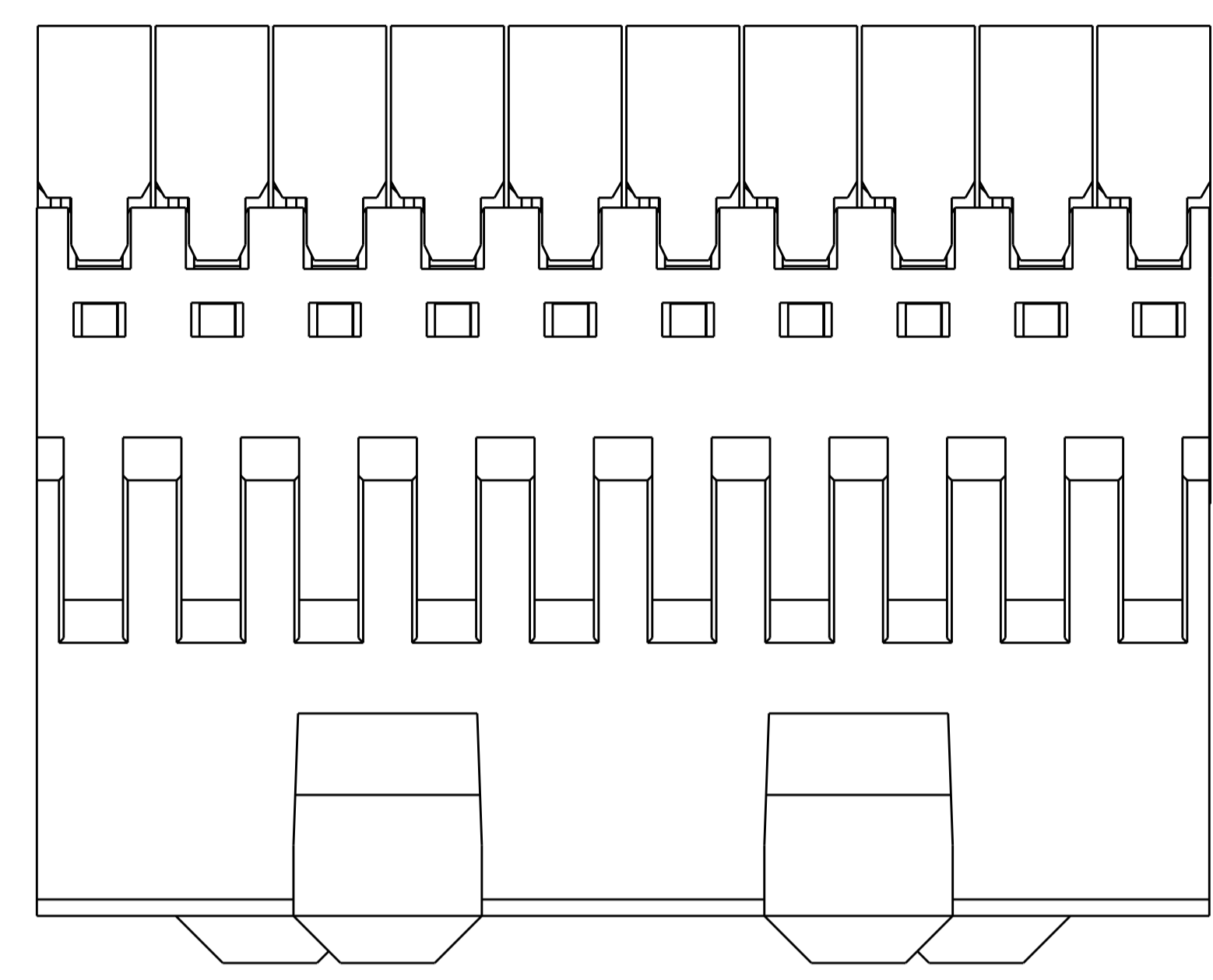
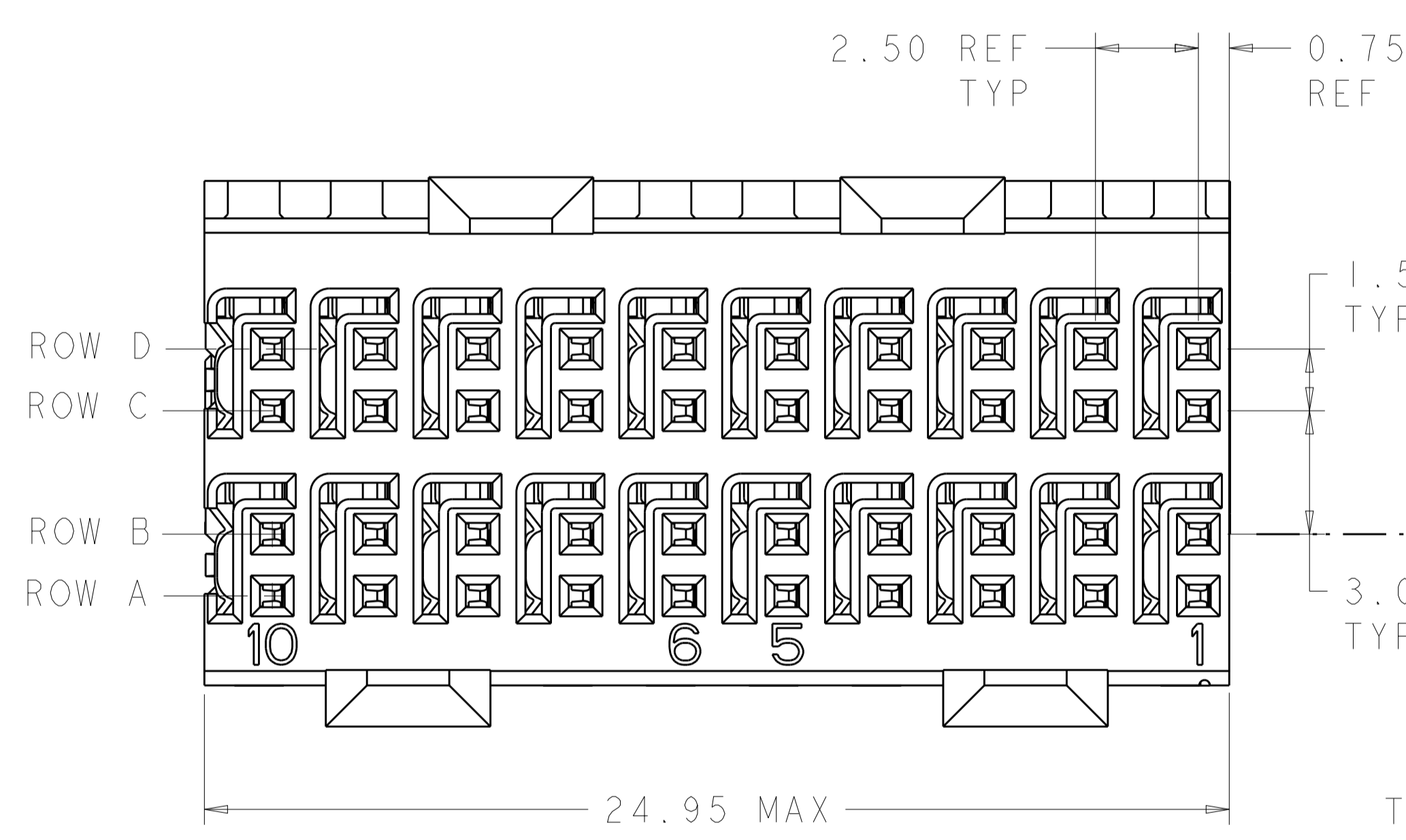


REVISIONS				
P.	LTN	DESCRIPTION	DATE	APVD
C		REVISED PER ECO-14-005095	14APR2014	AP RP
D		REVISED PER ECO-16-008845	20SEP2016	AP RP

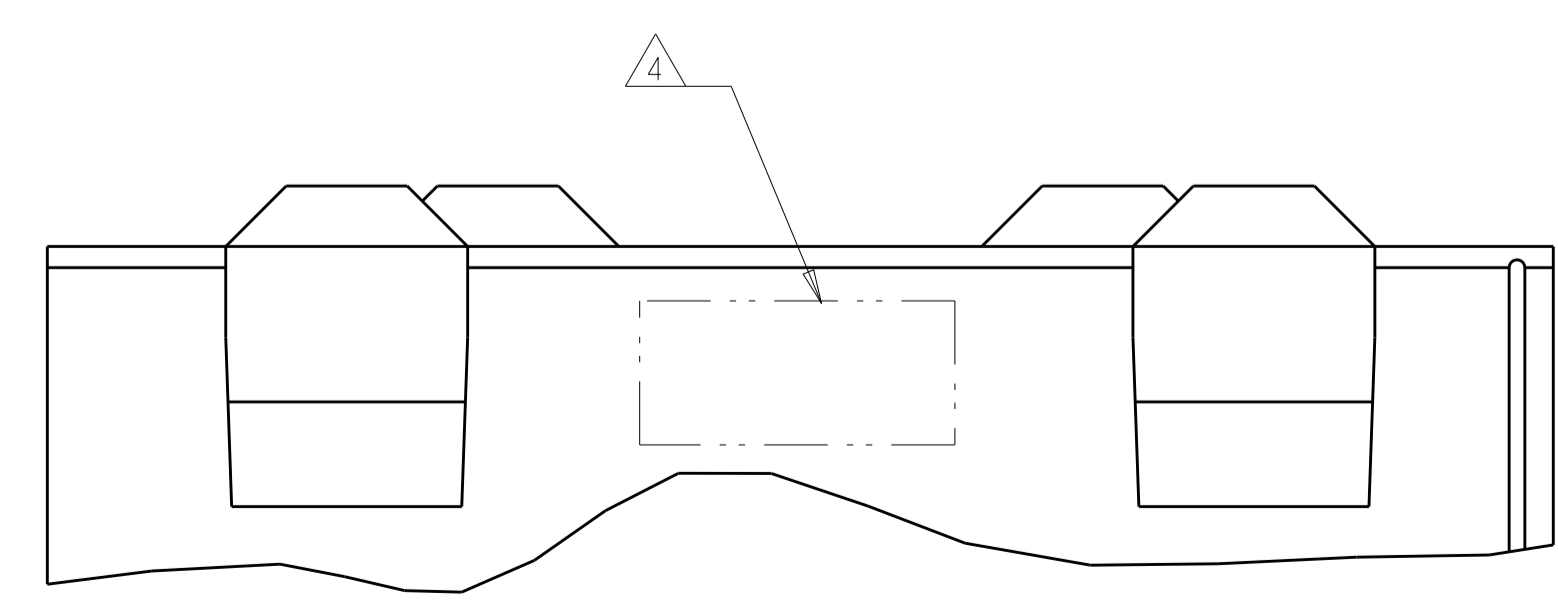
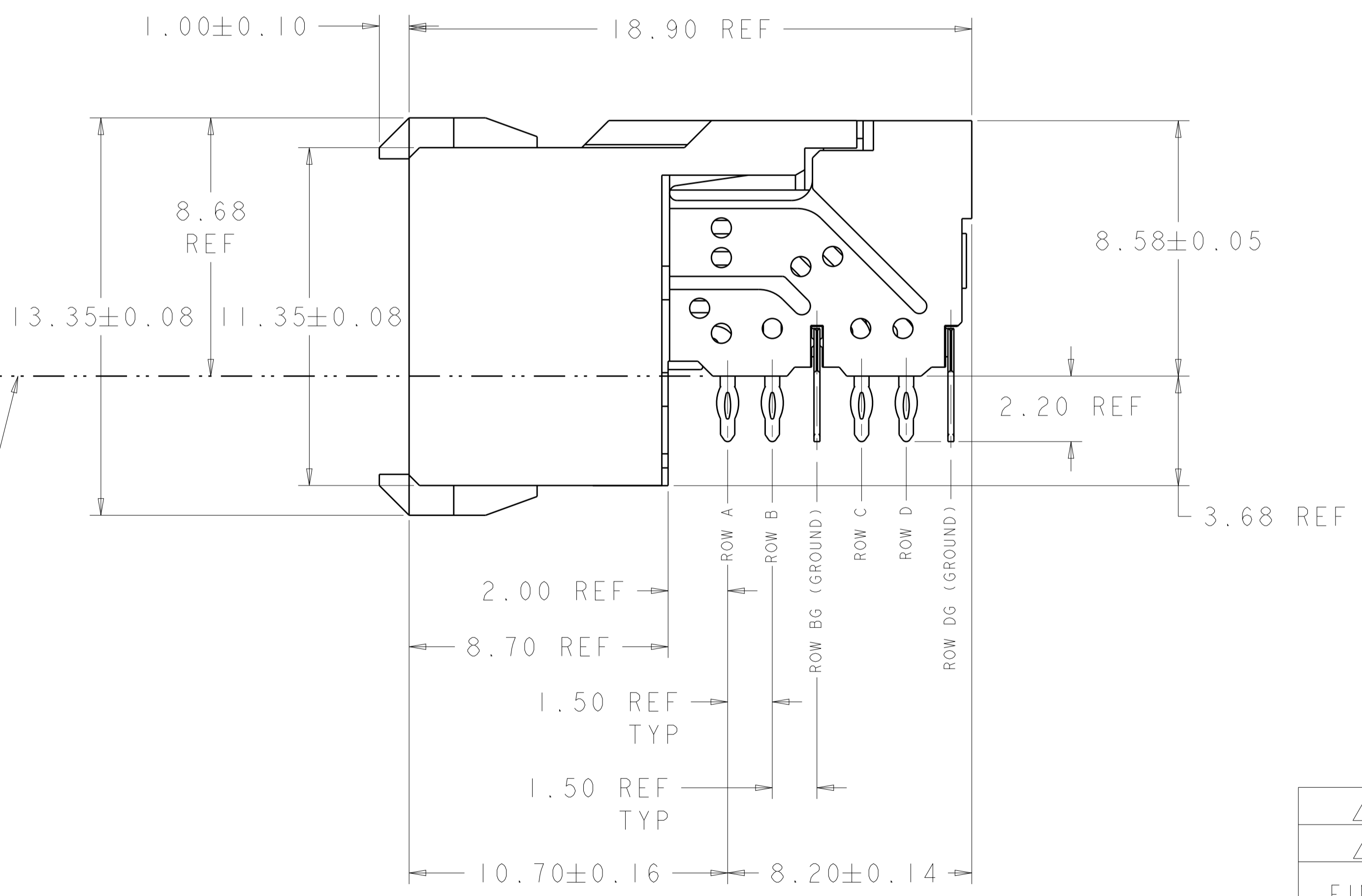


RECOMMENDED PC BOARD LAYOUT,
 DAUGHTER BOARD,
 COMPONENT SIDE SHOWN
 SCALE 4:1

- 1. REFERENCE APPLICATION SPEC 114-13059 FOR RECOMMENDED PLATED THRU HOLE DIAMETER AND PLATING THICKNESSES.
- 2. MATERIAL:
 SHIELD - PHOSPHOR BRONZE
 CONTACT - COPPER-NICKEL-SILICON
 HOUSING, CHICKLET AND CHICKLET COVER - GLASS FILLED POLYESTER, UL 94V-0 RATED.
- 3. FINISH: CONTACT AND SHIELD
 MATING AREA - 1.27µm MIN GOLD OVER 1.27µm MIN NICKEL
 COMPLIANT PIN AREA - 0.5µm MIN MATTE TIN OVER 1.27µm MIN NICKEL
- 4. CONNECTOR MARKED WITH PART NUMBER AND DATE CODE IN APPROXIMATE AREA SHOWN
- 5. DIMENSION APPLIES TO CENTERLINE OF THRU HOLE.
- 6. DATUMS AND BASIC DIMENSIONS ESTABLISHED BY CUSTOMER.
- 7. CONTACT AREA LUBRICATED WITH BELLCORE APPROVED LUBRICANT. TECHNICAL REFERENCE: GR-1217-CORE, ISSUE 1, NOVEMBER 1995.
- 8. FINISH: CONTACT AND SHIELD
 MATING AREA - 2.54µm MIN GOLD OVER 1.27µm MIN NICKEL
 COMPLIANT PIN AREA - 0.5µm MIN MATTE TIN OVER 1.27µm MIN NICKEL



TOP SURFACE OF DAUGHTER CARD



8	1645599-2
3	1645599-1
FINISH	PART NUMBER

THIS DRAWING IS A CONTROLLED DOCUMENT.

OWN: D. HUMBERT 09FEB2011
 CHK: J. EARY 09FEB2011
 APVD: J. EARY 09FEB2011

TE Connectivity

RECEPTACLE ASSEMBLY,
 2 PAIR, 25mm, HMZd

SIZE: A100779 C=1645599
 WEIGHT: -
 CUSTOMER DRAWING

SCALE: 8:1 SHEET 1 OF 1 REV D