

PART NAME: KNOB

SCALE: 1:1

DATE: 7/25/94

DR. BY HD

DAVIES MOLDING COMPANY

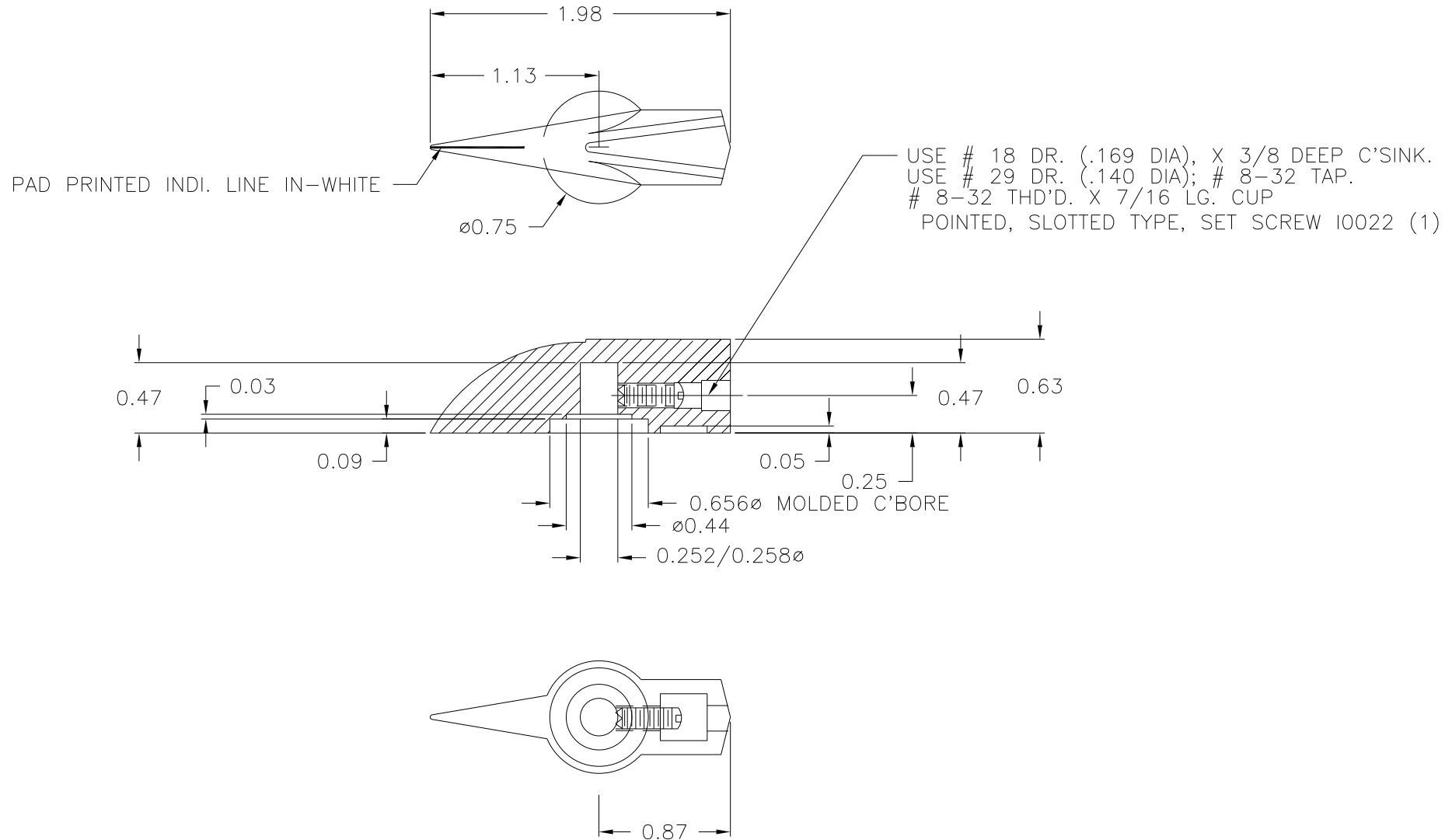
CAROL STREAM, ILLINOIS 60188

P/N 2350AF

BASE PART 2350-01

SET SCREW I0022

THIS DRAWING IS THE PROPERTY OF DAVIES MOLDING COMPANY, IS SUBMITTED SOLELY AS A DESIGN OR ENGINEERING PROJECT. WE ACCEPT NO RESPONSIBILITY WHATSOEVER FOR THE PRACTICAL APPLICATION OF THE PIECES MADE TO THIS DESIGN.



MARERIAL : #4311 PLENCO PHENOLIC (B41)
 COLOR : BLACK

TOLERANCES: UNLESS OTHERWISE SPECIFIED	DO NOT SCALE DRAWING			
DECIMALS: X.XXX ± .005 X.XX ± .015	MM: X.XX ± 0.15MM X.X ± 0.4MM	-	UPDATED TOOLBOX	JAM10/21/02
FRACTIONS ± 1/64	ANG. ± 1°	CHANGES		