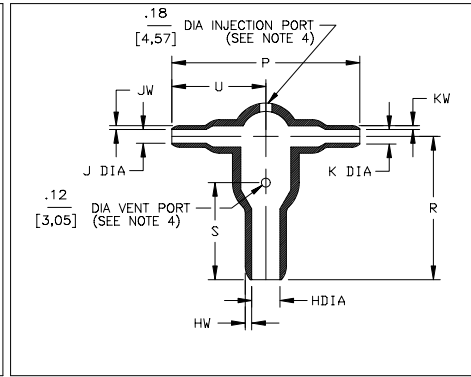
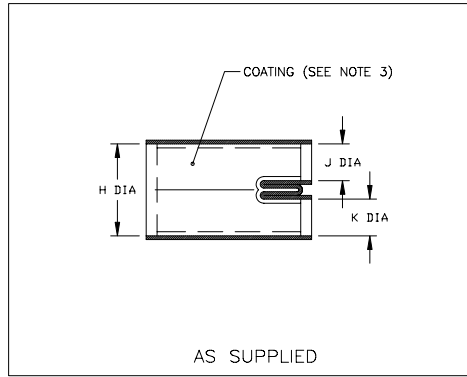


Molded Parts Specification Control Drawing

Part Number : 302A012 thru 037
Description : Transition, T

NOTES

- All dimensions are in $\frac{\text{inches}}{\text{[millimeters]}}$
- Dimensions appearing in table are as follows:
 - a - As Supplied
 - b - After Unrestricted Recovery
- Coating is optional. As supplied dimensions appearing in table are for uncoated parts. When coating is added, entry diameters will be reduced by .06 max.
- Molding ports are optional. When -00 modification number is specified molding ports will be located as shown.



PART NUMBER	H		J & K		P	R	S	U	HW	JW & KW	C°
	Min	Max	Min	Max	±10%	±10%	±10%	±10%	±20%	±20%	±5°
	a	b	a	b	b	b	b	b	b	b	b
302A012	.52 [13,2]	.24 [6,1]	.26 [6,6]	.12 [3,0]	1.41 [35,8]	1.04 [26,4]	.72 [18,3]	.70 [17,8]	.06 [1,5]	.04 [1,0]	90°
302A024	1.06 [26,9]	.49 [12,4]	.52 [13,2]	.24 [6,1]	2.64 [67,1]	2.14 [54,4]	1.32 [33,5]	1.32 [33,5]	.10 [2,5]	.06 [1,5]	90°
302A037	2.19 [55,6]	1.00 [25,4]	1.06 [26,9]	.49 [12,4]	5.73 [145,5]	4.44 [112,8]	3.10 [78,7]	2.86 [72,6]	.18 [4,6]	.10 [2,5]	90°

tyco/Electronics/**Raychem**
TYCO ELECTRONICS
307 CONSTITUTION DRIVE
MENLO PARK, CALIFORNIA 94025

Revision : L
Date : 11/2/01

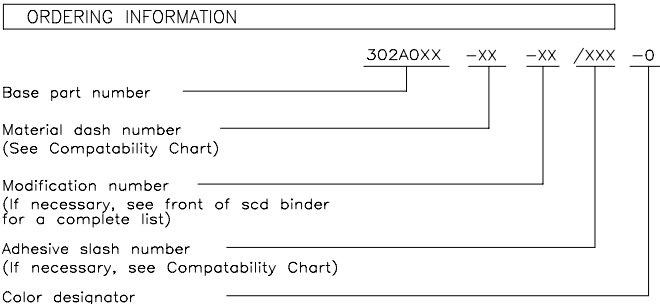
Part Number : 302A012 thru 037
Description : Transition, T

Molded Parts Specification Control Drawing

Part Number : 302A012 thru 037
Description : Transition, T

MATERIAL DASH NO.	MATERIAL DESCRIPTION	RT SPEC	COATING SLASH NO.	COATING S NO.	COATING DESCRIPTION
-3	Polyolefin, Semi-rigid	RT-301	/42;/86	S-1017;S-1048	Adhesive
-4	Polyolefin, Flexible	RT-1304	/42;/86	S-1017;S-1048	Adhesive
-5	Elastomer, Flexible	RT-501	N/A		
-6	Silicone	RT-602	N/A		
-12	*VITON, Flexible	RT-1312	N/A		
-25	Elastomer, Fluid Resistant	RT-1325	/86;/225	S-1048;S-1206	Adhesive
-52	Polyolefin, Nuclear	RT-1508	N/A		
-100	Polyolefin, Semi-Flexible ZEROHAL™	RT-1323	/86	S-1048	Adhesive

*VITON is a Registered Trademark of Dupont



THIS DRAWING IS SUBJECT TO CHANGE WITHOUT NOTICE; CONSULT YOUR NEAREST FIELD REPRESENTATIVE FOR CURRENT REVISION

If this document is printed it becomes uncontrolled.
Check for the latest revision.

tyco/Electronics/**Raychem**
TYCO ELECTRONICS
307 CONSTITUTION DRIVE
MENLO PARK, CALIFORNIA 94025

Revision : L
Date : 11/2/01

Part Number : 302A012 thru 037
Description : Transition, T