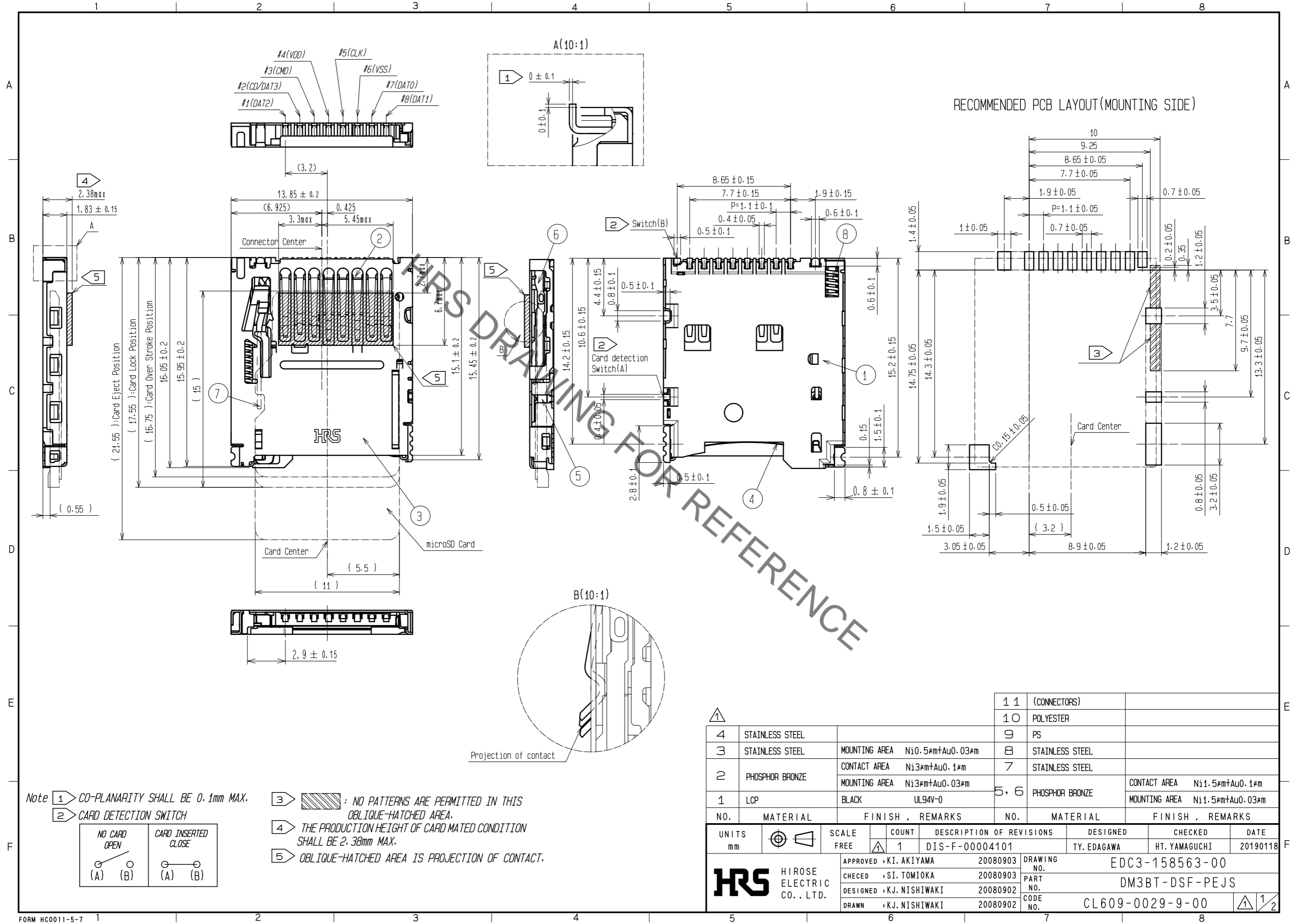
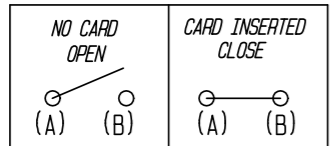


Jul.1.2019 Copyright 2019 HIROSE ELECTRIC CO., LTD. All Rights Reserved.
 In case of consideration for using Automotive equipment / device which demand high reliability, kindly contact our sales window correspondents.



Note ① CO-PLANARITY SHALL BE 0.1mm MAX.

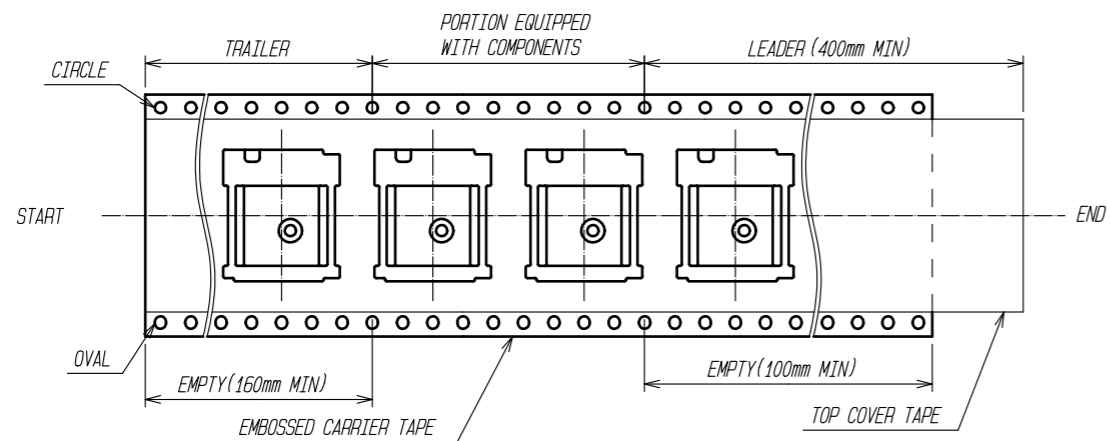
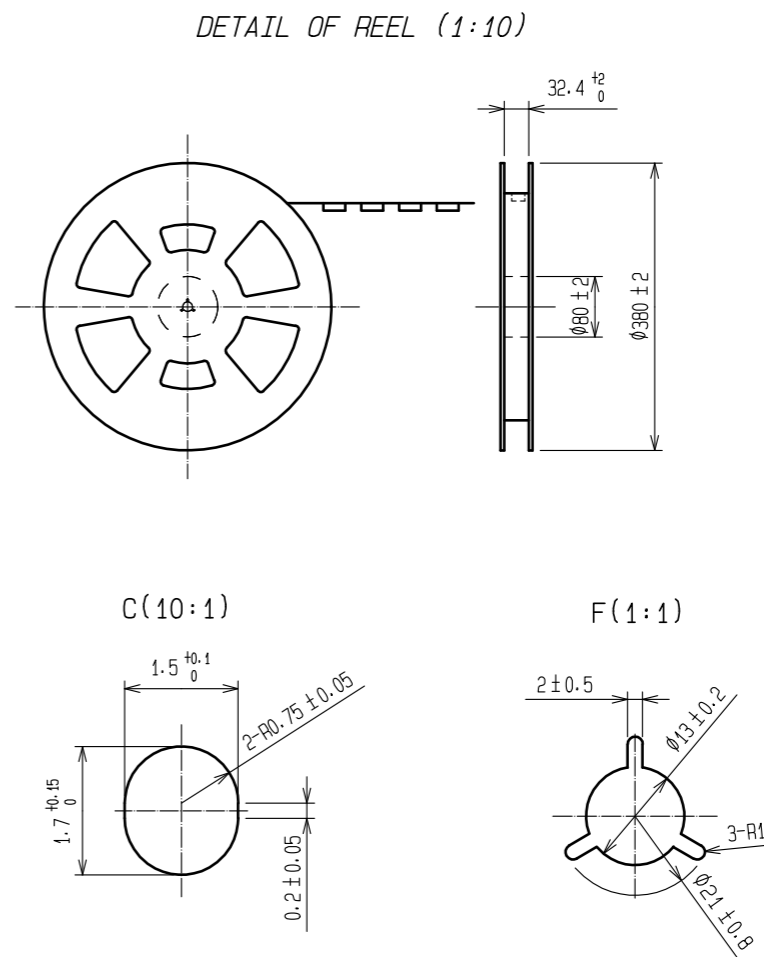
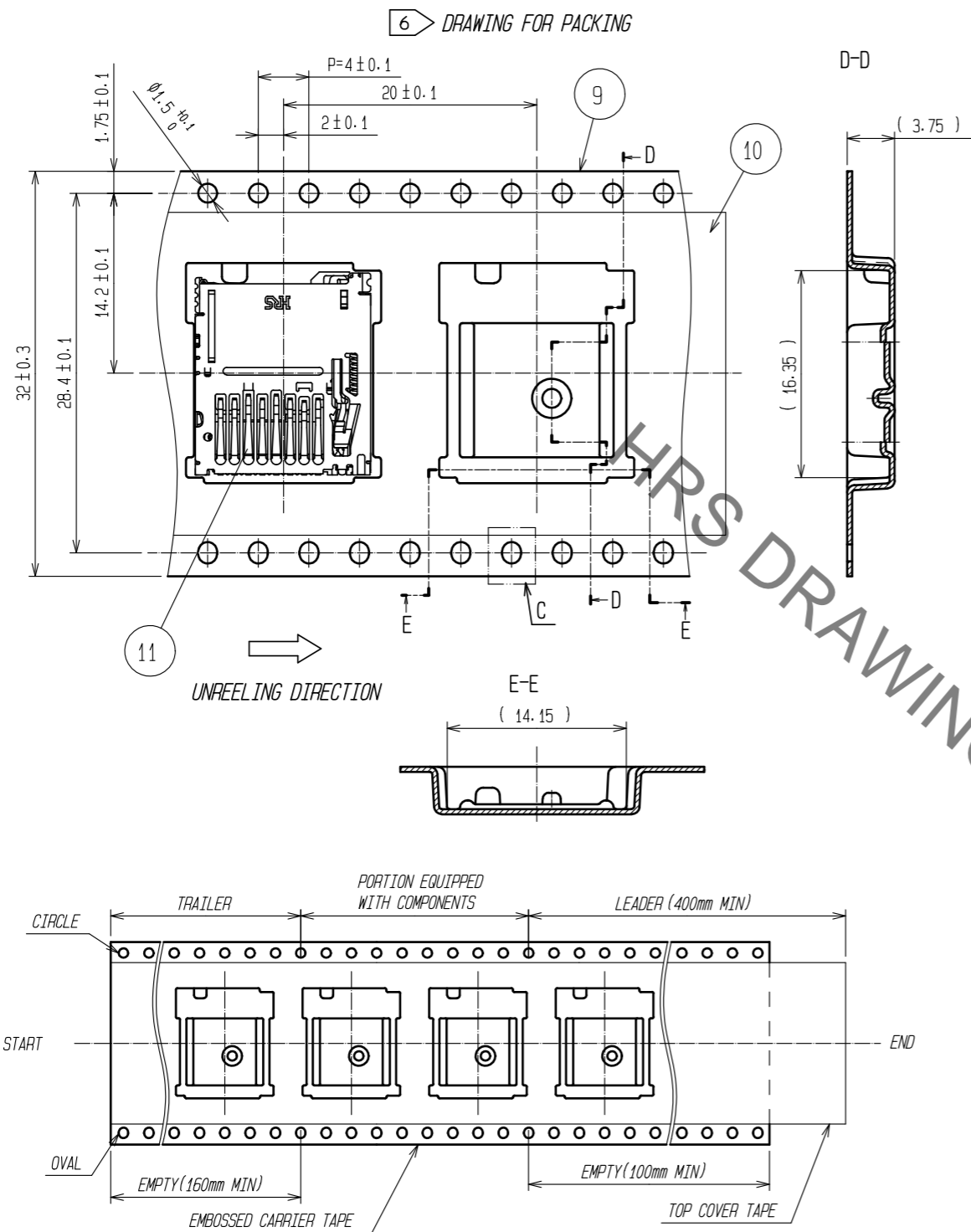
② CARD DETECTION SWITCH



- ③ : NO PATTERNS ARE PERMITTED IN THIS OBLIQUE-HATCHED AREA.
- ④ THE PRODUCTION HEIGHT OF CARD MATED CONDITION SHALL BE 2.38mm MAX.
- ⑤ OBLIQUE-HATCHED AREA IS PROJECTION OF CONTACT.

①	1	(CONNECTORS)	
	10	POLYESTER	
4	9	PS	
3	8	STAINLESS STEEL	
2	7	STAINLESS STEEL	
	5, 6	PHOSPHOR BRONZE	CONTACT AREA Ni1.5μm+Au0.1μm MOUNTING AREA Ni1.5μm+Au0.03μm
1		BLACK UL94V-0	
NO.	MATERIAL	FINISH . REMARKS	NO. MATERIAL FINISH . REMARKS
UNITS	mm	SCALE	FREE
		COUNT	1
		DESCRIPTION OF REVISIONS	DIS-F-00004101
		DESIGNED	TY. EDAGAWA
		CHECKED	HT. YAMAGUCHI
		DATE	20190118
APPROVED : KI. AKIYAMA		20080903	DRAWING NO. EDC3-158563-00
CHECED : SI. TOMIOKA		20080903	PART NO. DM3BT-DSF-PEJS
DESIGNED : KJ. NISHIWAKI		20080902	CODE NO. CL609-0029-9-00
DRAWN : KJ. NISHIWAKI		20080902	

Jul.1.2019 Copyright 2019 HIROSE ELECTRIC CO., LTD. All Rights Reserved.
 In case of consideration for using Automotive equipment / device which demand high reliability, kindly contact our sales window correspondents.



MANUFACTURING DATE

YEAR	MONTH	DATE							
YEAR	SYMBOL	MONTH	SYMBOL	DATE	SYMBOL	DATE	SYMBOL	DATE	SYMBOL
2010	0	Jan.	A	1	1	11	B	21	M
2011	1	Feb.	B	2	2	12	C	22	N
2012	2	Mar.	C	3	3	13	D	23	P
2013	3	Apr.	D	4	4	14	E	24	Q
2014	4	May.	E	5	5	15	F	25	R
2015	5	Jun.	F	6	6	16	G	26	S
2016	6	Jul.	G	7	7	17	H	27	T
2017	7	Aug.	H	8	8	18	J	28	U
2018	8	Sep.	I	9	9	19	K	29	V
2019	9	Oct.	J	10	A	20	L	30	W
		Nov.	K					31	X
		Dec.	L						

6 PACKING TYPE: TAPE AND REEL. 1200PCS PER REEL.

7 PLEASE REFER TO TECHNICAL SPECIFICATION : ETAD-F044B
 DM3BT SERIES PRODUCT INFORMATION AND HANDLING INSTRUCTIONS
 FOR THE HANDLING OF THE PRODUCT.

8 Lot.No. SHALL BE INDICATED AS SHOWN.

e. g. 9 A H 1

PRODUCTION LINE: LINE No. 1
 DATE: 17th
 MONTH: Jan.
 YEAR: 2019

HRS	DRAWING NO.	EDC3-158563-00
	PART NO.	DM3BT-DSF-PEJS
	CODE NO.	CL609-0029-9-00
		2/2