

PART NAME: KNOB SCALE: 1:1 DATE: 9/21/09 DR. BY JAM

THIS DRAWING IS THE PROPERTY OF DAVIES MOLDING COMPANY, IS SUBMITTED SOLELY AS A DESIGN OR ENGINEERING PROJECT. WE ACCEPT NO RESPONSIBILITY WHATSOEVER FOR THE PRACTICAL APPLICATION OF THE PIECES MADE TO THIS DESIGN.

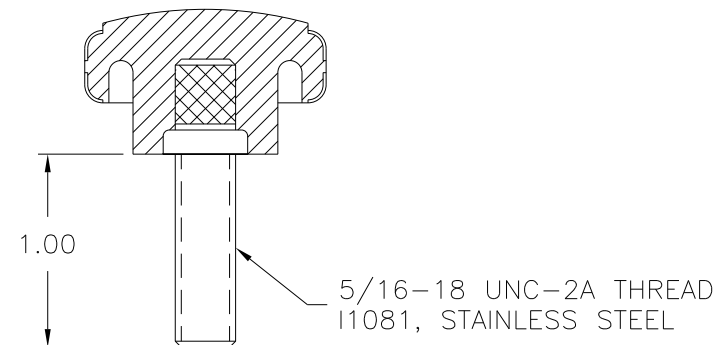
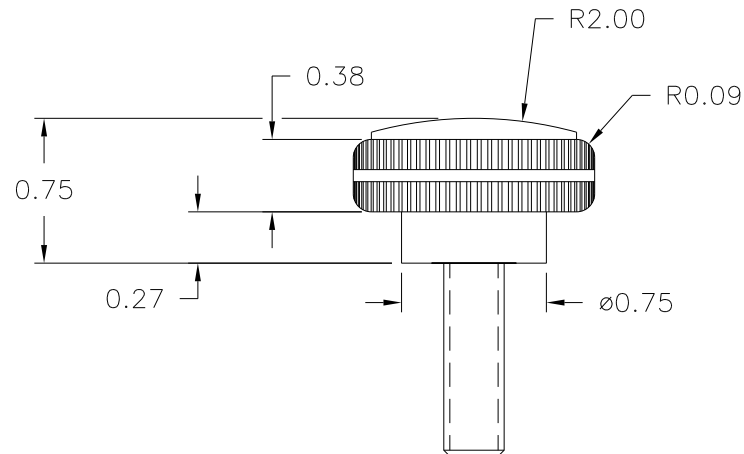
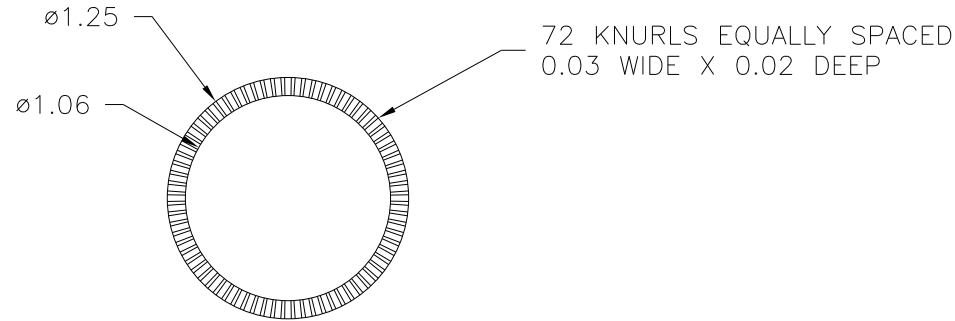


DESIGNERS & MANUFACTURERS OF KNOBS, HANDLES, CASES & CUSTOM PLASTIC COMPONENTS

P/N 3055PH

M^{NO.} 3009

| | |
|-------------|---------------|
| CAVITY | 3055 |
| PLUNGER | 3055 |
| PIN | 3000-E |
| PIN BAR | 3055 |
| PIN BAR | 3055 |
| SHIMS (3) | (TOTAL .185) |
| INSERT | I1081 |
| PLUNGER KEY | 1/4x1/8x1-1/4 |
| CAVITY KEY | 1/4x1/4x3/4 |



MATERIAL: G.P. PHENOLIC (B11)
COLOR: BLACK

| | | | | |
|---|----------------------------------|---------|--|--|
| TOLERANCES: UNLESS OTHERWISE SPECIFIED | DO NOT SCALE DRAWING | | | |
| DECIMALS: X.XXX ± .005 X.XX ± .015 | MM: X.XX ± 0.15MM X.X ± 0.4MM | | | |
| FRACTIONS ± 1/64 | ANG. ± 1° | CHANGES | | |