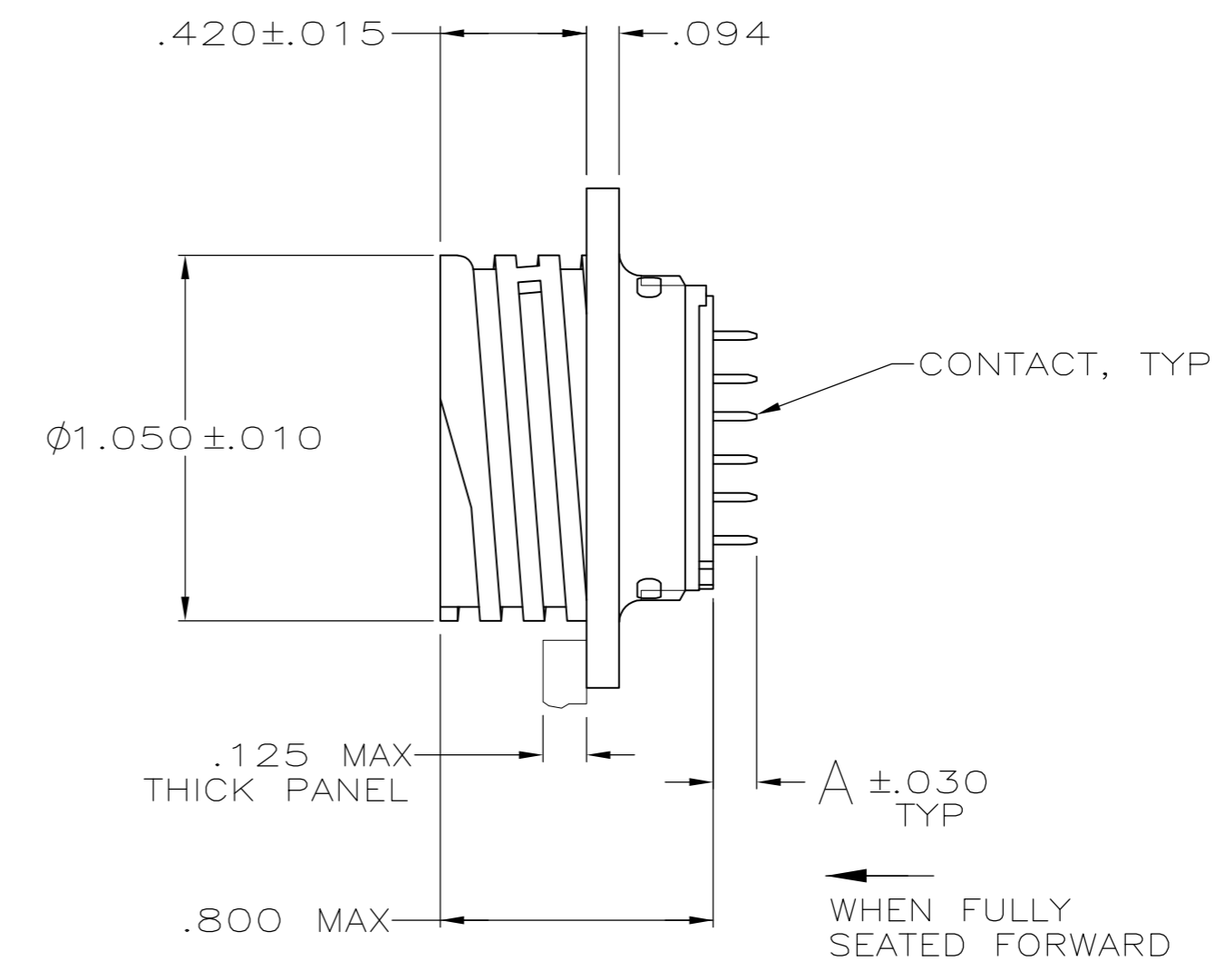
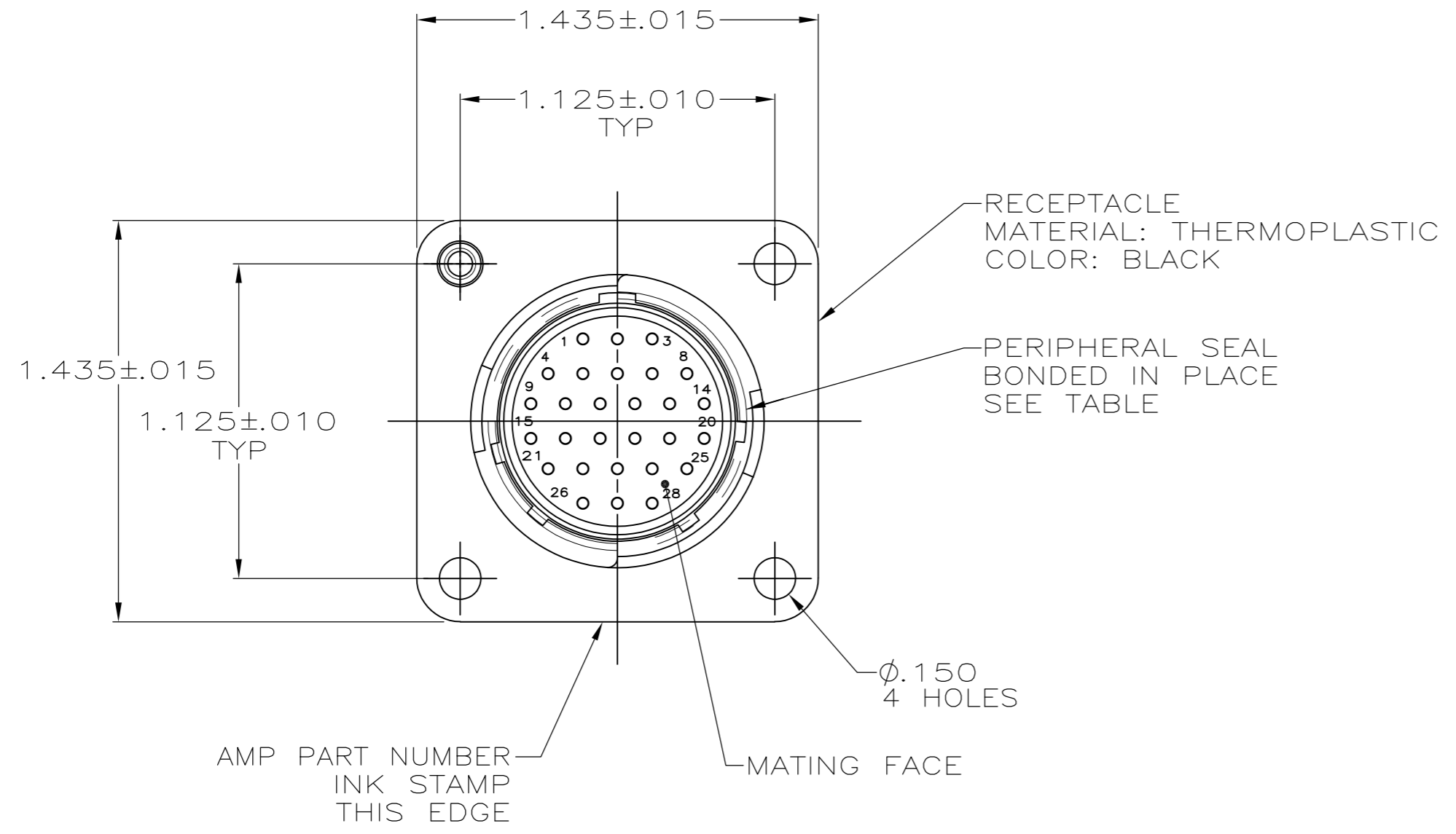


THIS DRAWING IS UNPUBLISHED. RELEASED FOR PUBLICATION
 © COPYRIGHT - By - ALL RIGHTS RESERVED.

REVISIONS					
P	LTR	DESCRIPTION	DATE	DWN	APVD
	K1	REVISED PER ECO-16-004800	10SEP2016	NK	MZ
	L	REVISED PER ECO-16-018356	22MAR2017	RS	MZ

- 1 CONTACT CAVITIES IDENTIFIED BY CHARACTERS ON FRONT FACE OF CONNECTOR.
- 2 .000030 MIN GOLD FOR A LENGTH OF .100 MIN FROM MATING END, .000100 MIN TIN-LEAD FOR A LENGTH OF "A" MIN FROM OPPOSITE END, ALL OVER .000050 MIN NICKEL.
- 3 RECOMMENDED HOLE SIZE .047 DIA FOR P.C. BOARD.
- 4 .000030 MIN GOLD FOR A LENGTH OF .100 MIN FROM MATING END, .000100 MIN TIN FOR A LENGTH OF "A" MIN FROM OPPOSITE END, ALL OVER .000050 MIN NICKEL.



OBSOLETE	4	NO	YES	.125	1-207369-4
	4	NO	NO	.352	1-207369-3
	4	NO	NO	.125	1-207369-1
OBSOLETE	2	YES	YES	.796	207369-5
OBSOLETE	2	NO	YES	.125	207369-4
OBSOLETE	2	NO	NO	.352	207369-3
OBSOLETE	2	NO	NO	-	207369-2
	2	NO	NO	.125	207369-1
		CONTACT FINISH	PERIPHERAL SEAL	THREADED INSERT	DIM A PART NUMBER

THIS DRAWING IS A CONTROLLED DOCUMENT.

DIMENSIONS: INCHES	TOLERANCES UNLESS OTHERWISE SPECIFIED: 0 PLC ± - 1 PLC ± - 2 PLC ± - 3 PLC ± .005 4 PLC ± - ANGLES ± - FINISH	DWN 5-22-91 J. GALLUCCI BG CHK 4-14-92 W.G. LENKER APVD 4-14-92 K. BEAVER PRODUCT SPEC 108-10024 APPLICATION SPEC	NAME TE TE Connectivity RECEPTACLE ASSEMBLY, POSTED, STD SEX, SERIES 2, 17-28, CPC
MATERIAL SEE CALLOUT		WEIGHT -	SIZE A2 CAGE CODE 00779 DRAWING NO C-207369 RESTRICTED TO -
		CUSTOMER DRAWING	SCALE 2:1 SHEET 1 of 1 REV L